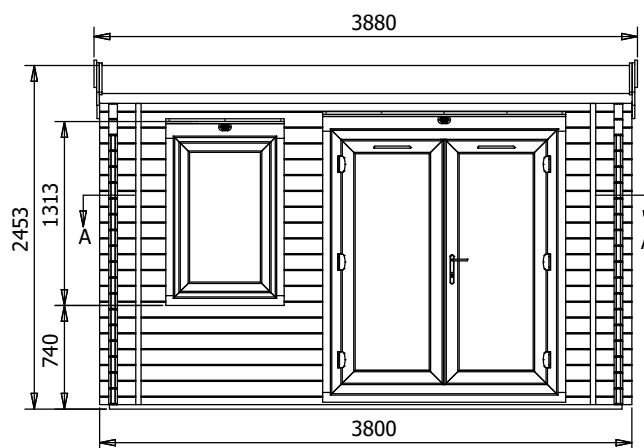
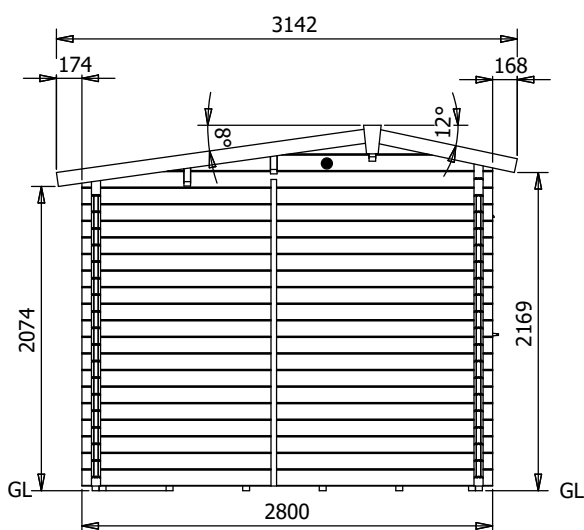
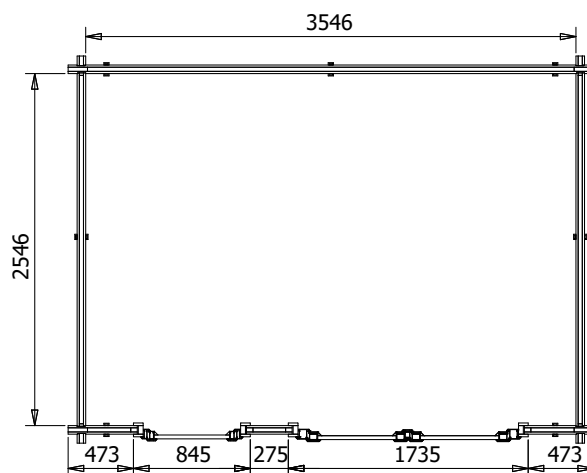




uPVC Carsare Warmalog

W4m x D3m



Specification

- Overall External Dimensions: 3.84m x 3.14m (12' 7.25" x 10' 3.5")
- External Width: 3.8m (12' 5.5")
- External Depth: 2.8m (9' 2.25")
- Ridge Height: 2.45m (8' 0.75")
- Internal Width: 3.54m (11' 7.5")
- Internal Depth: 2.54m (8' 4.25")
- Wall Thickness: 62mm
- Internal Eaves Rear: 2.05m (6' 8.75")
- Purlin Thickness: 45mm
- Floor Bearers: 32mm x 47mm
- Floor Panel Thickness: 50mm

- Roof Panel Thickness: 40mm
- Roof Board Thickness: 19mm
- Floor Bearers: Pressure Treated
- Door Height: 2.05m (6' 9")
- Door Width: 1.73m (5' 8.25")
- Window Opening Size: 1.02m x 0.60m
- Glazing Material: 28mm double glazed toughened glass
- Approx. Assembly Time: 2 Days*

*This is an approximate time only, based on 2 people. Assembly time may vary depending on season/weather conditions, foundation type, ability of those constructing, etc