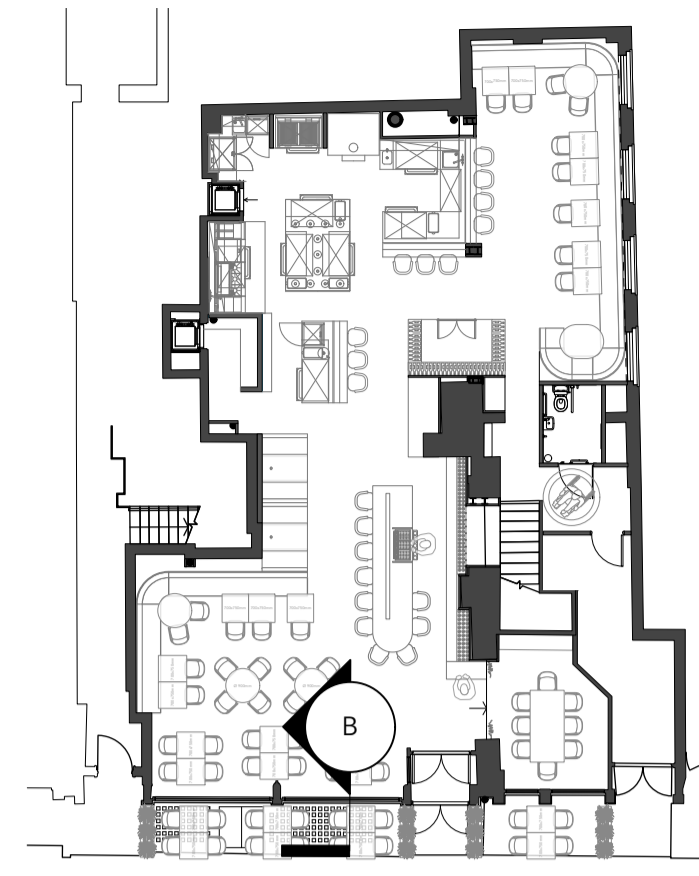
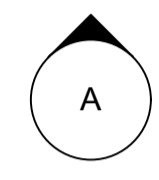


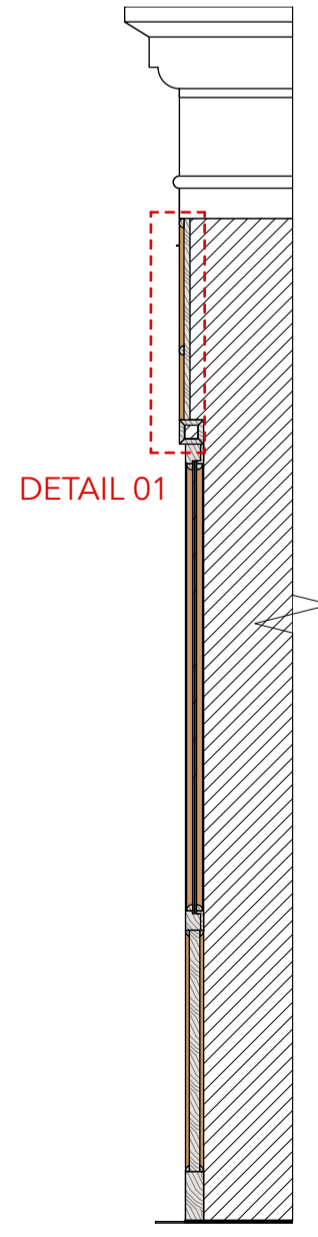
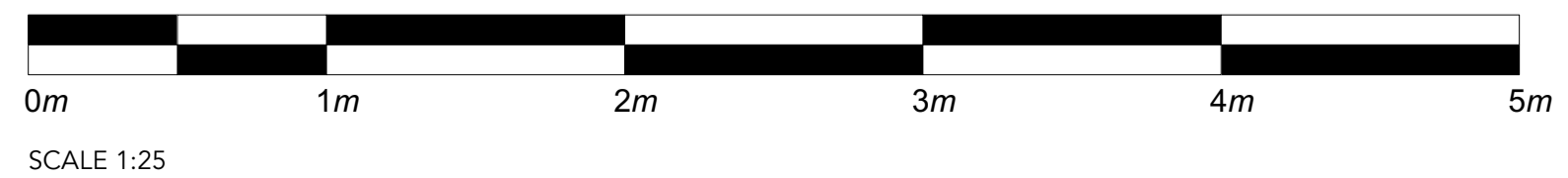
3 DETAIL 01
Scale: 1:5



KEY PLAN
Scale: 1:200



1 PROPOSED SHOPFRONT A
Scale: 1:25



2 SECTION B
Scale: 1:25

REV	DATE	NOTES	REV BY
G	01.02.24		BB
F	09.01.24		BB
E	02.01.24		BB
D	19.12.23		BB
C	06.02.23		LC
B	03.02.23		AD
A	18.01.23		LC

THIS DRAWING IS UNDER COPYRIGHT AND NO PORTION SHOULD BE USED WITHOUT PRIOR CONSENT. DRAWING NOT TO BE SCALED FROM. ALL DIMS TO BE CHECKED ON SITE. ALL OMISSIONS AND DISCREPANCIES TO BE REPORTED TO DESIGNER IMMEDIATELY.

B3 DESIGNERS
2nd Floor Colechurch House
1 London Bridge Walk
LONDON SE1 2SX
+44 (0)20 7729 8111
www.b3designers.co.uk

CLIENT			
PROJECT MAMIE			
SITE ADDRESS 7 PADDINGTON STREET LONDON W1U 5QE			
TITLE PROPOSED SHOPFRONT A			
STATUS PLANNING APPLICATION			
SCALE 1:25	DATE 03.02.23	DRAWN AD	CHECK LC
PROJECT NO. 1432	DRAWING NO. 202	REVISION G	