

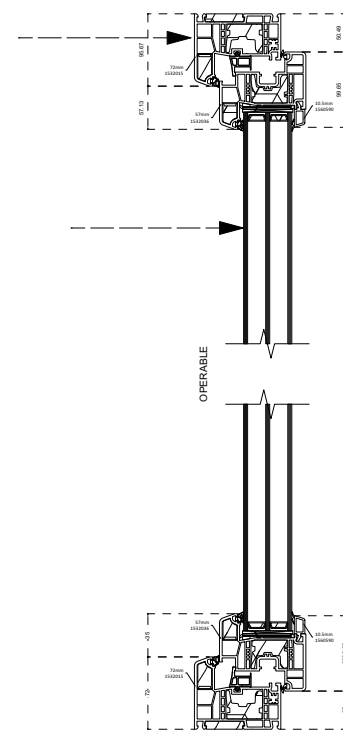
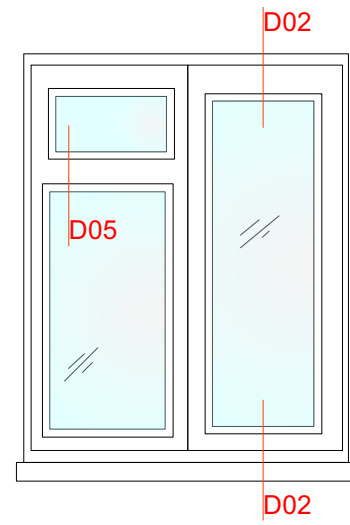
IMPORTANT NOTES

Contractors must check all dimensions on site. Only figured dimensions are to be worked from. Discrepancies must be reported to the Architect or Engineer before proceeding.
© This drawing is copyright

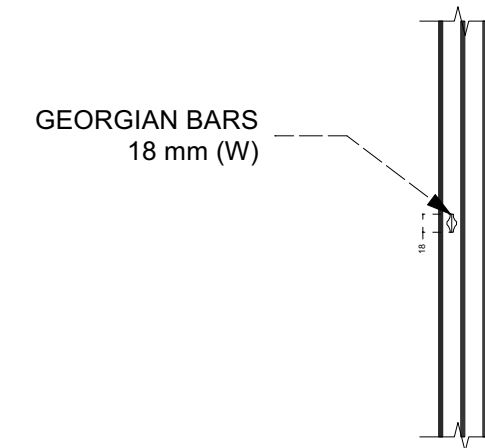
MATERIAL SPECIFICATIONS

1. Casement UPVC / Aluminium Windows System.
2. All existing windows are painted white. Off-white paint to be used. RAL 9010.
3. Existing windows do have georgian bars located inside the glazing inner layer.

WINDOW 01

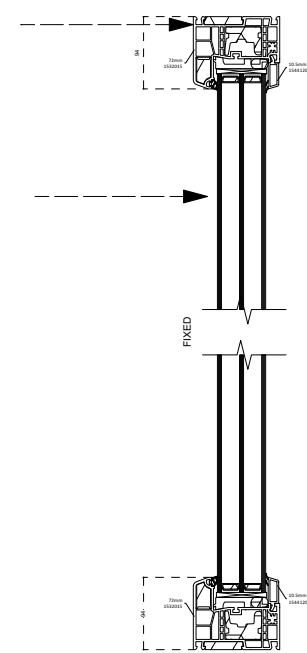
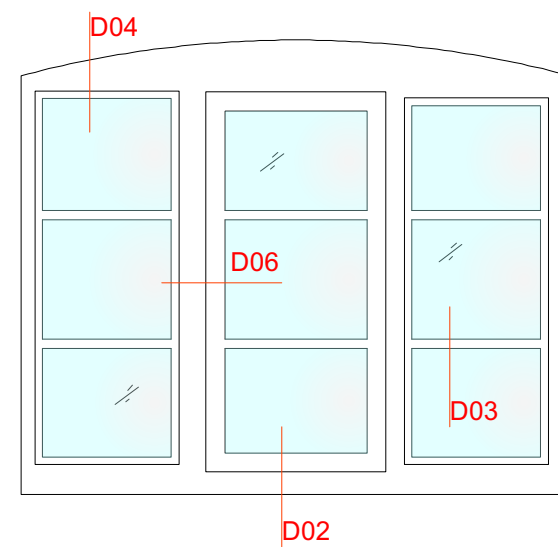


2 Existing Tilt/Turn Window Section Detail
Scale: 1:10

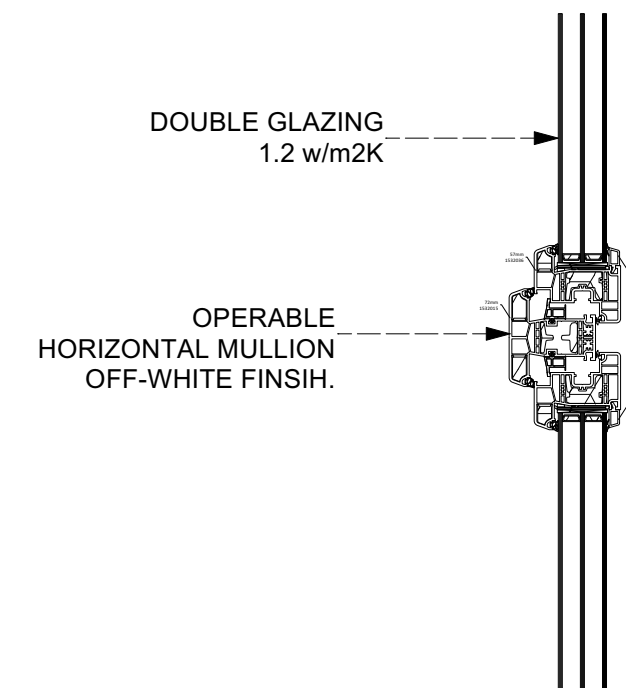


3 Existing Georgian Bar Section Detail
Scale: 1:10

WINDOW 02

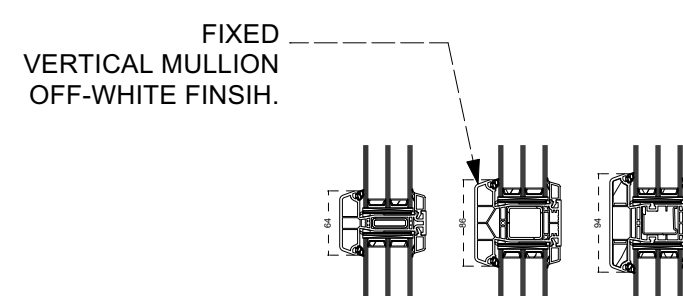
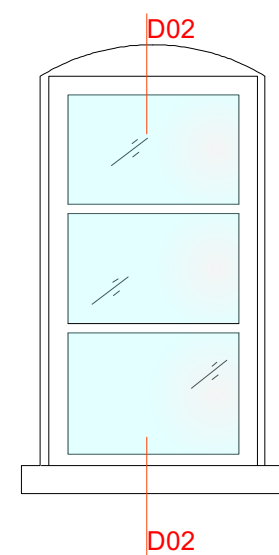


4 Existing Fixed Window Section Detail
Scale: 1:10



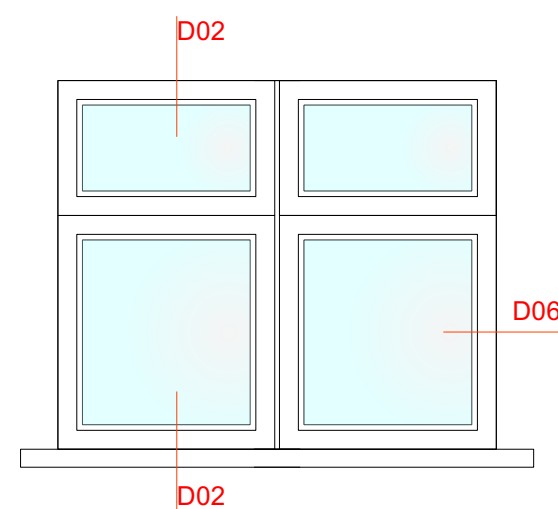
5 Existing Horizontal Mullion Section Window Detail
Scale: 1:10

WINDOW 03



6 Existing Fixed Mullion Section Detail
Scale: 1:10

WINDOW 04



1 Existing Windows to donor dwelling
Scale: 1:20

Revision	Description	Drawn	Checked	Date
A				