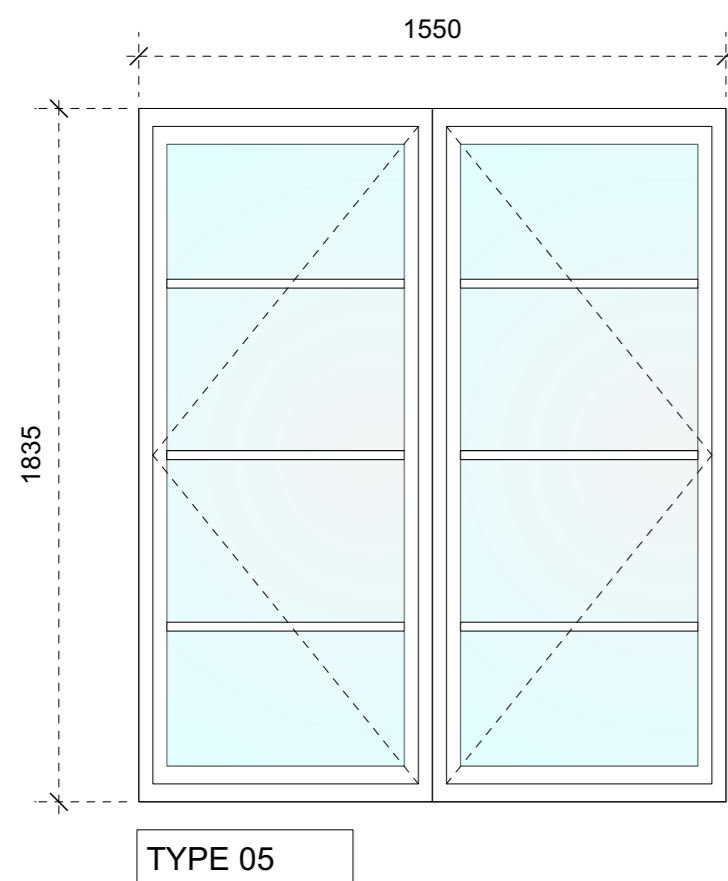
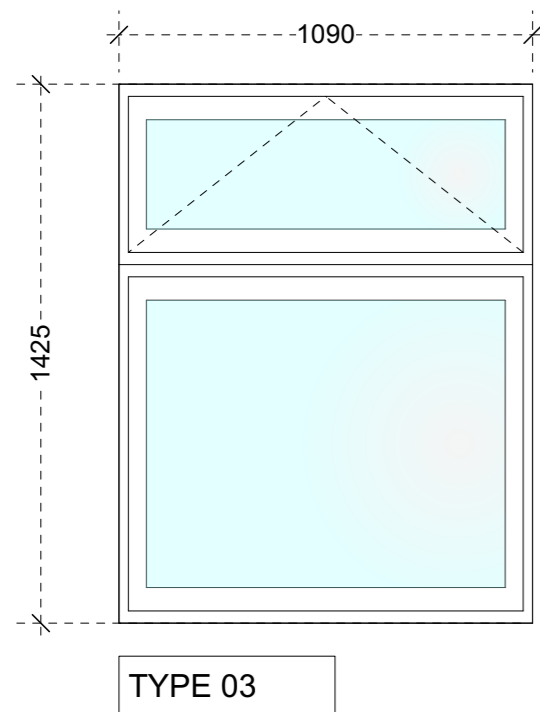
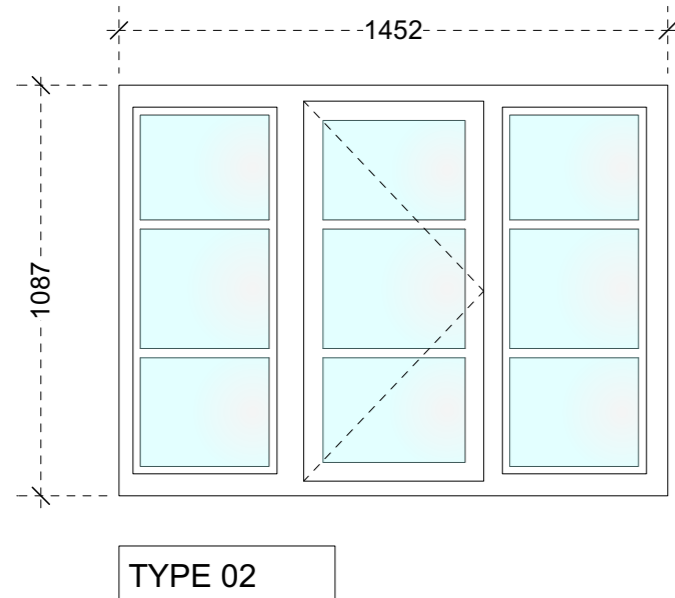
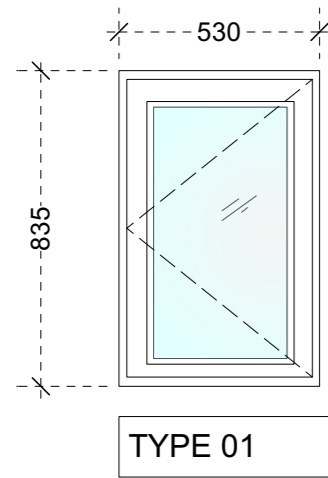
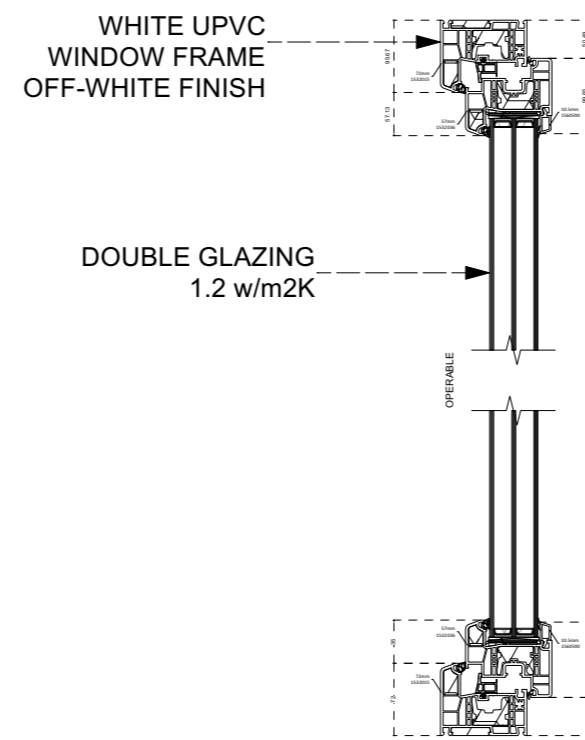
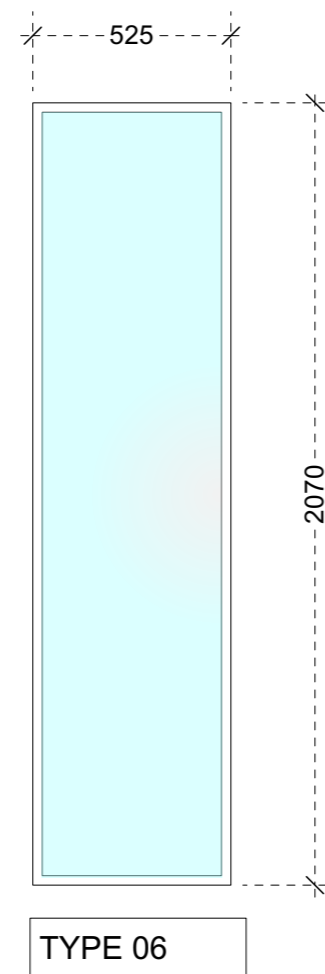
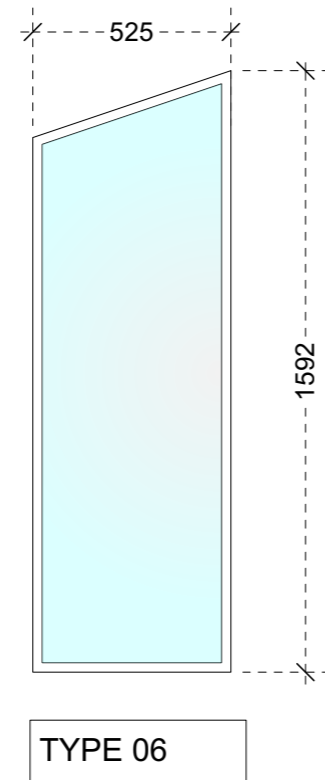


IMPORTANT NOTES

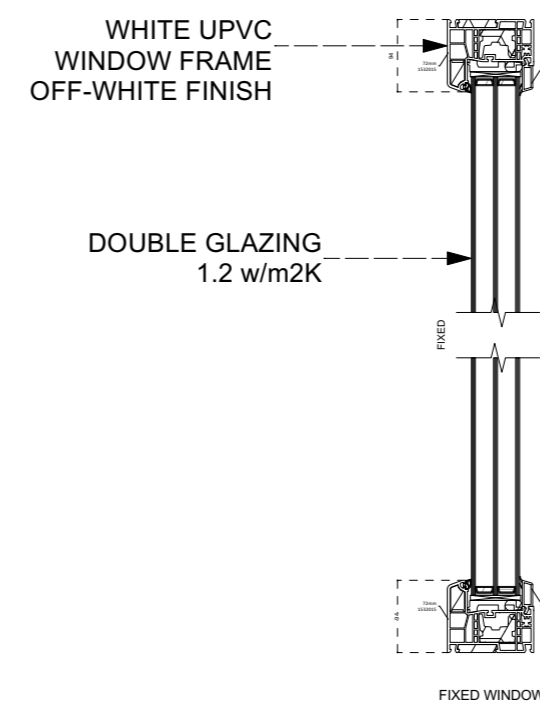
Contractors must check all dimensions on site. Only figured dimensions are to be worked from. Discrepancies must be reported to the Architect or Engineer before proceeding.
© This drawing is copyright



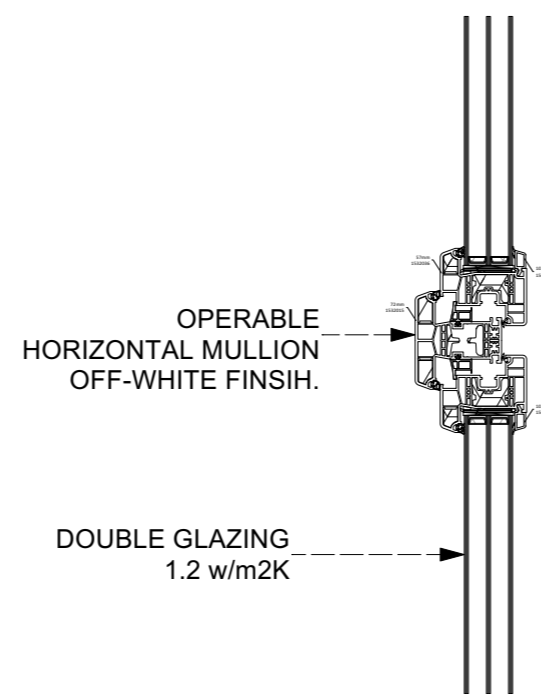
1 Proposed Window Elevations
Scale: 1:20



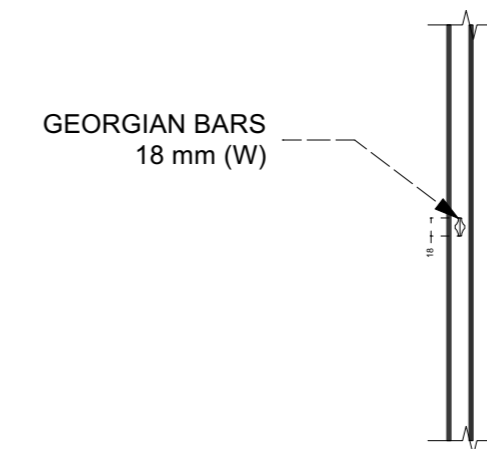
2 Proposed Tilt & Turn Window Section Detail
Scale: 1:10



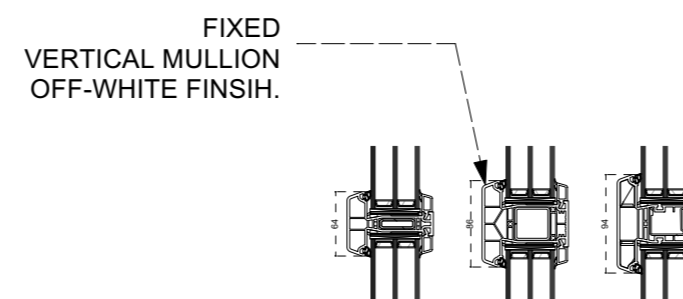
3 Proposed Fixed Window Section Detail
Scale: 1:10



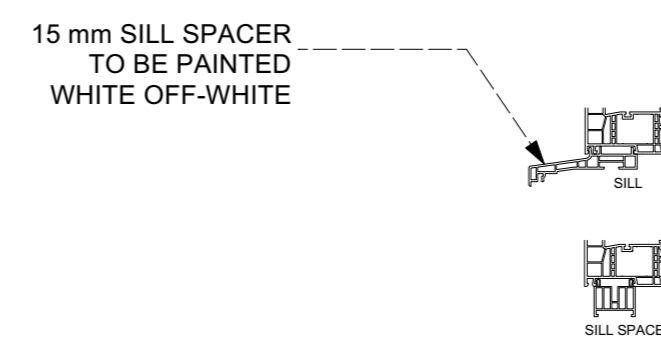
5 Proposed Horizontal Mullion Section Window Detail
Scale: 1:10



6 Proposed Georgian Bar Section Detail
Scale: 1:10



7 Proposed Fixed Mullion Section Detail
Scale: 1:10



8 Proposed Spacers. (If need it)
Scale: 1:10

Revision	Description	Drawn	Checked	Date					
Preliminary	<input type="checkbox"/>	Information	<input checked="" type="checkbox"/>	Tender	<input type="checkbox"/>	Construction	<input type="checkbox"/>	As Built	<input type="checkbox"/>