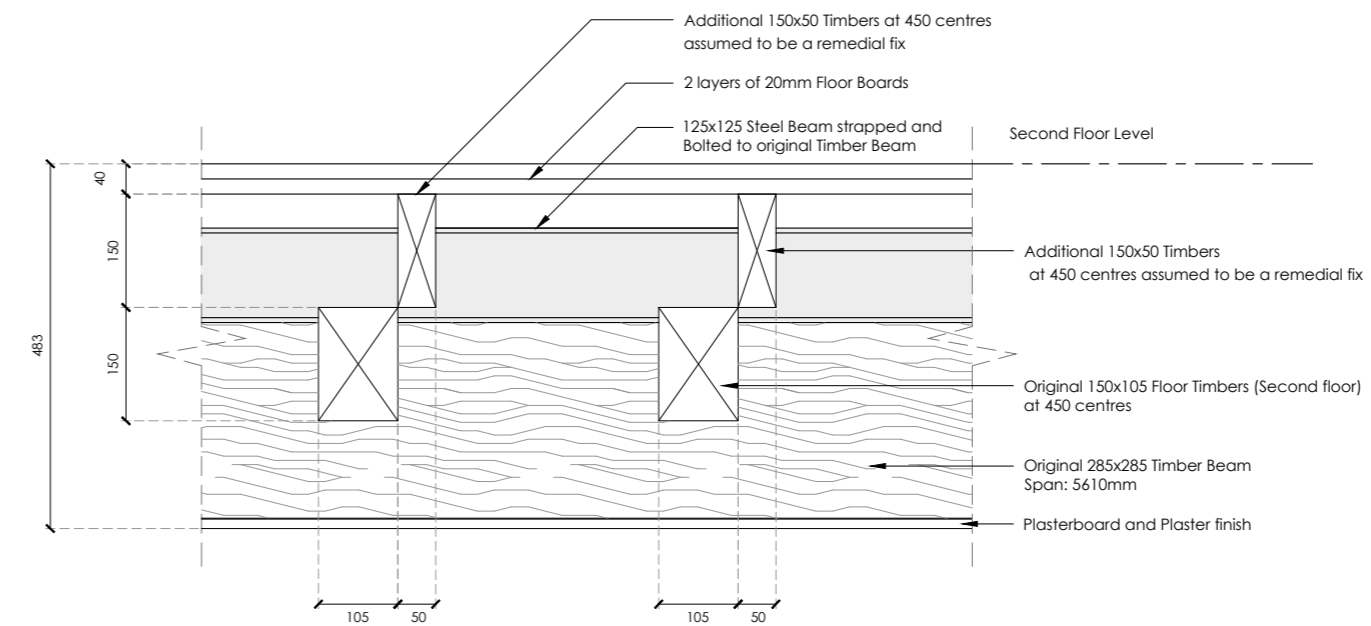


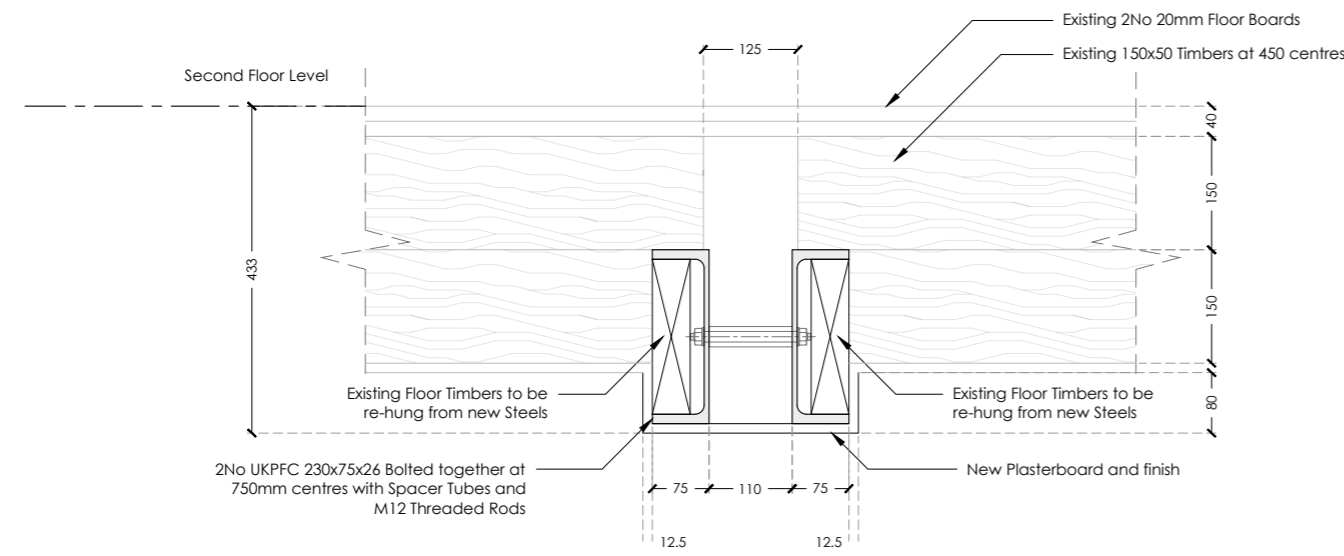
Existing Beam Arrangement (Section)

Scale 1:10



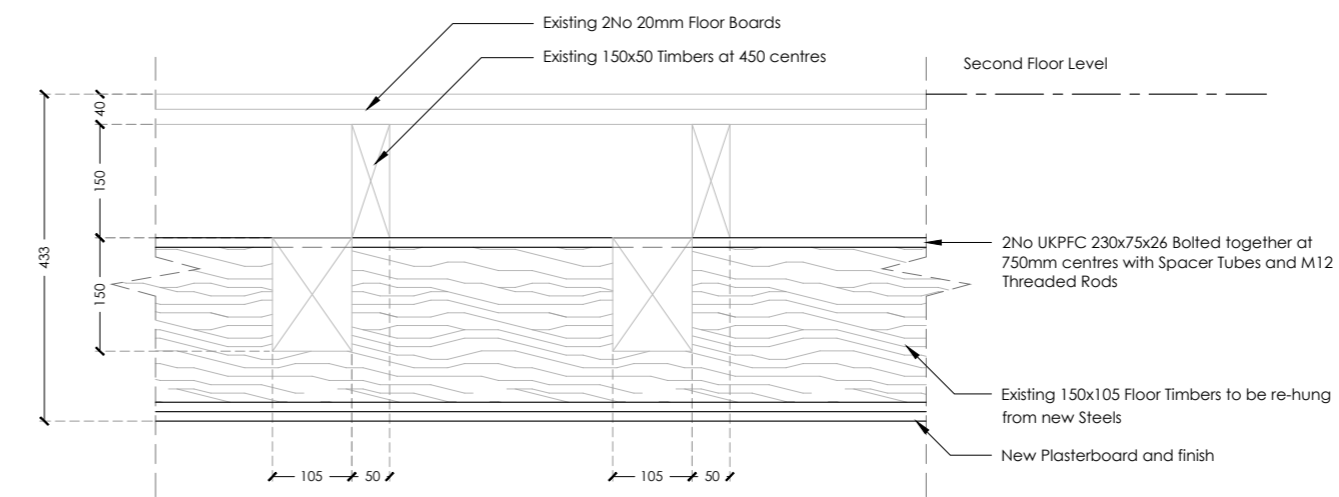
Existing Beam Arrangement (Elevation)

Scale 1:10



Proposed Beam Arrangement (Section)

Scale 1:10



Proposed Beam Arrangement (Elevation)

Scale 1:10