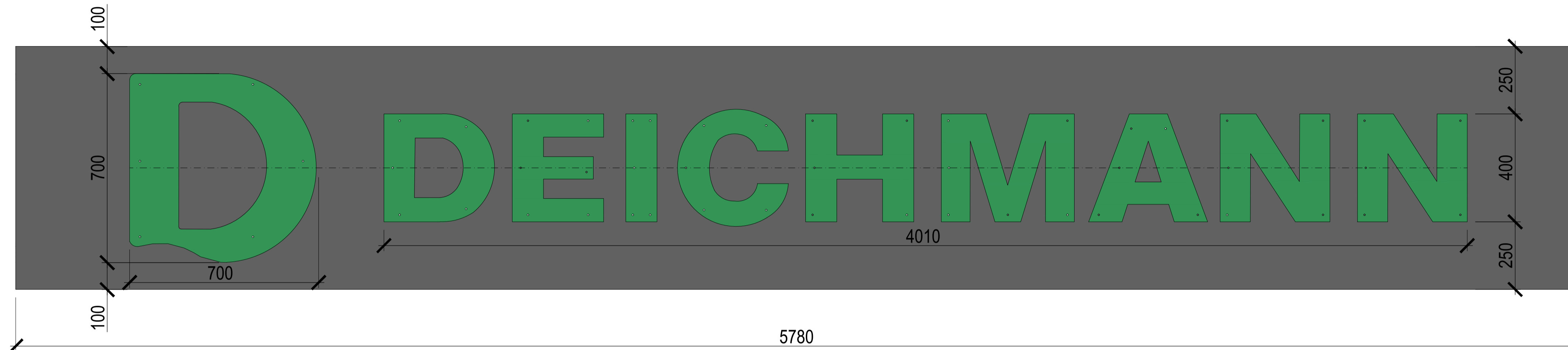
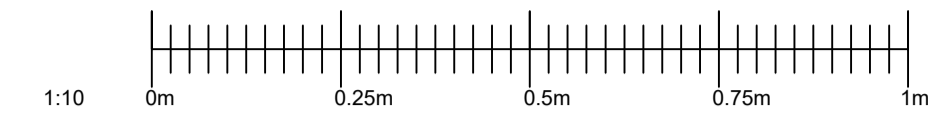
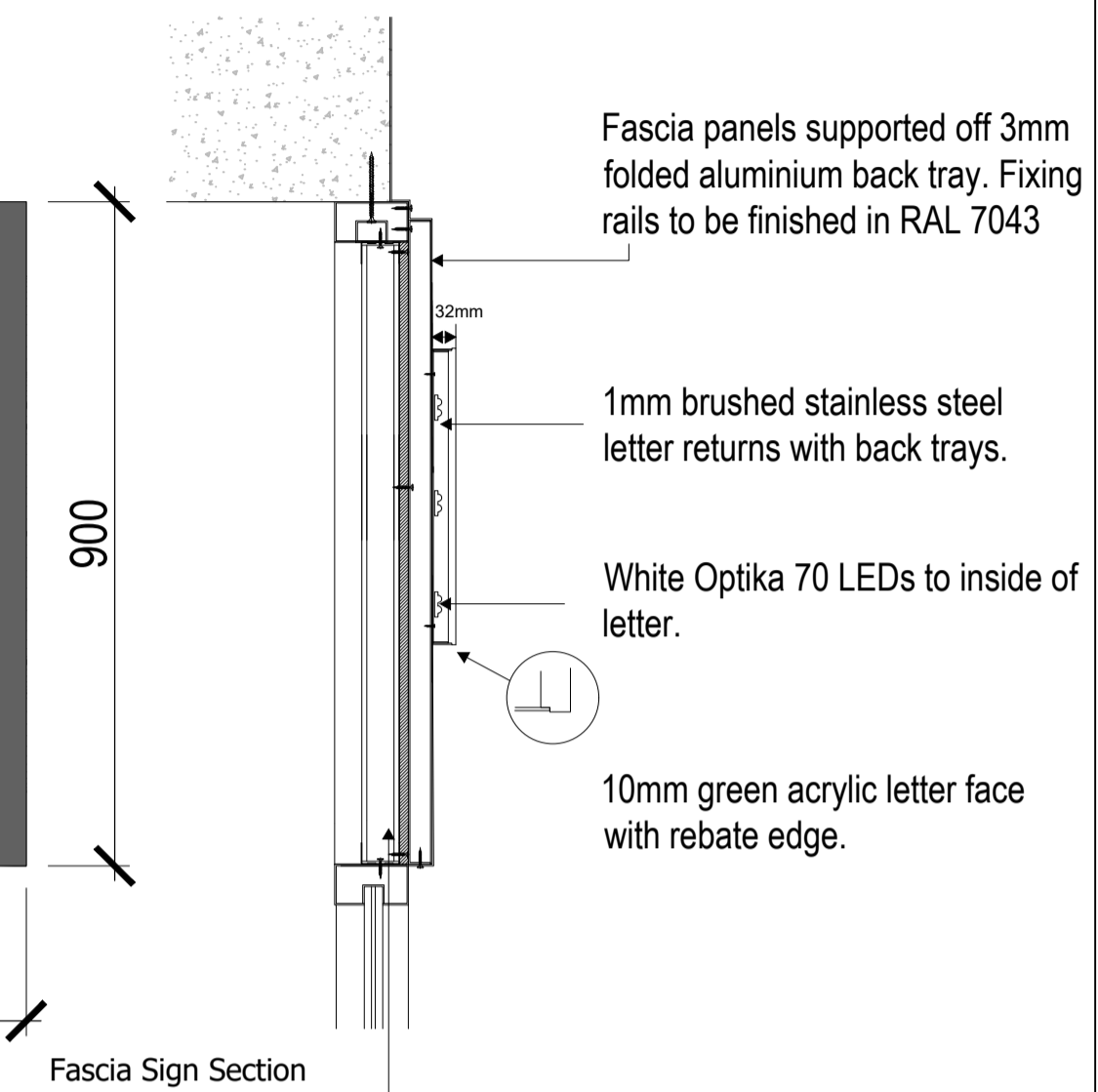


Hazard	Control



Fascia Sign Elevation



Fascia Sign Section

Fascia panels supported off 3mm folded aluminium back tray. Fixing rails to be finished in RAL 7043

1mm brushed stainless steel letter returns with back trays.

White Optika 70 LEDs to inside of letter.

10mm green acrylic letter face with rebate edge.

Gypframe 48 S 50 'C' Stud work fixed to existing shop front frame.

12mm plywood board fixed to face of shop front in order to provide adequate fixing points for back panel.

3mm powder coated aluminium fascia panel to be fixed to back panel. Fascia panel and colour coded screws to be finished in RAL 7043 grey.

GB	DE	Date	Description	Drawn	Checked

Amendments

Drawing Status

Planning



CONSTRUCTION CONSULTANTS

PROJECT
Unit 15
The Fort Retail Park
Glasgow

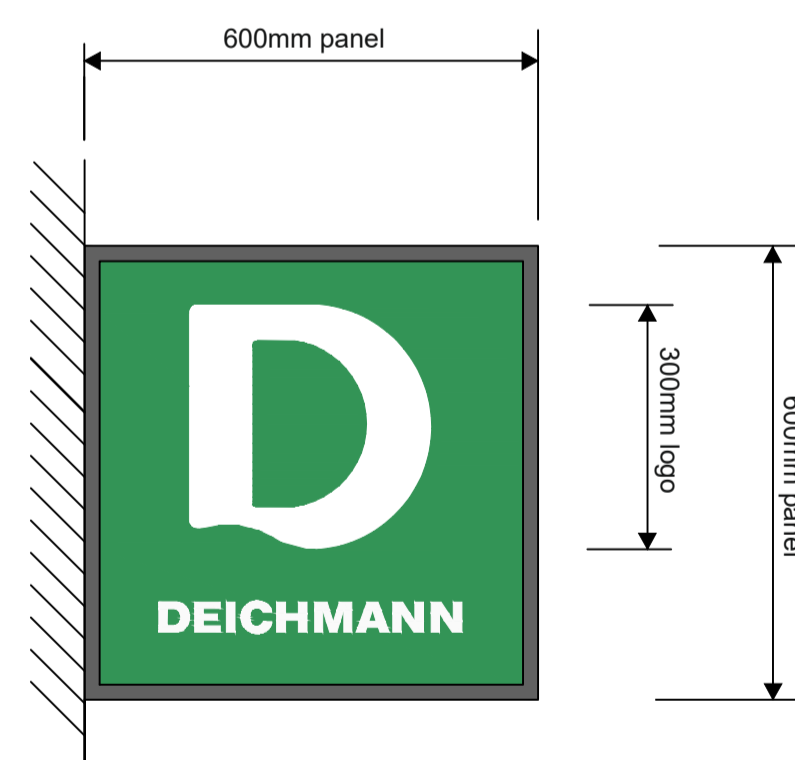
CLIENT
DEICHMANN

TITLE
Signage Layout

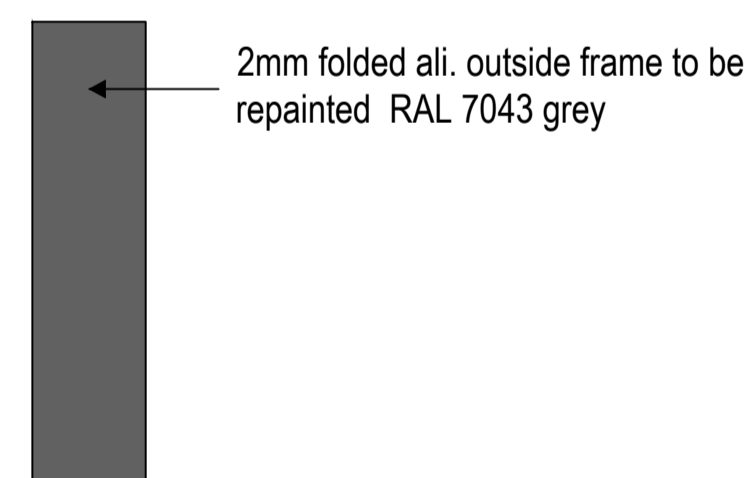
SCALE
1:10 @ A1

DATE
OCTOBER 2023

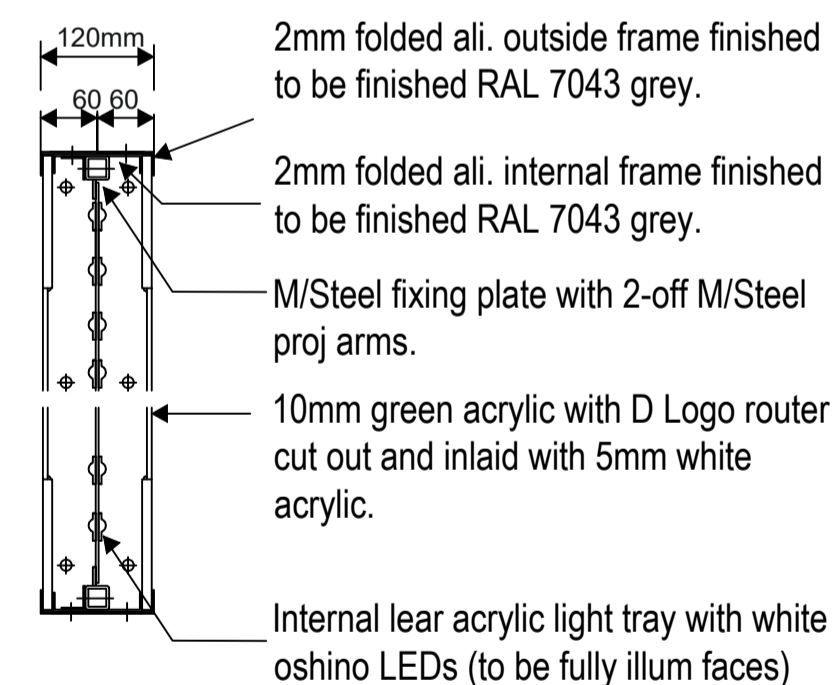
DRAWN BY	CHECKED BY	DRAWING No.	REV
BF	BF	8050-08	-



Projecting Sign Side Elevation



Projecting Sign Front Elevation



Projecting Sign Section