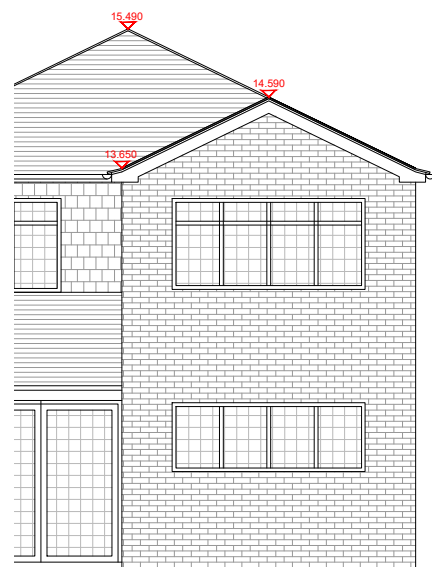


SIDE ELEVATION (EAST FACING)



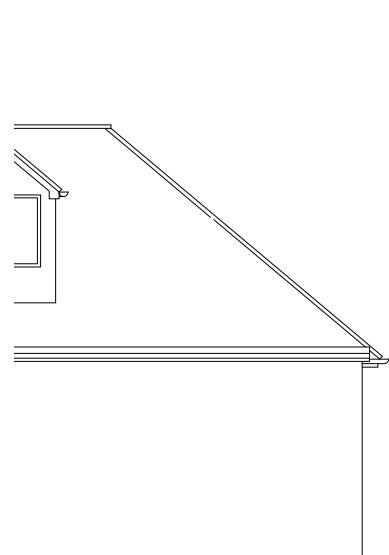
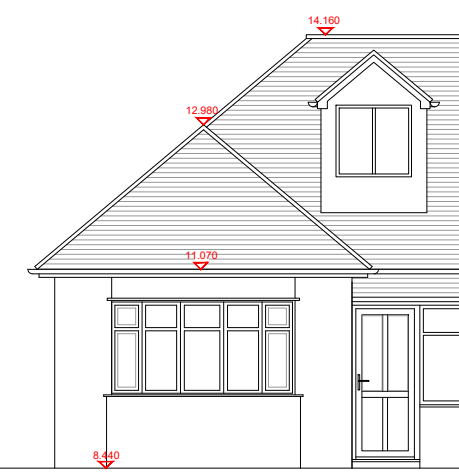
SIDE ELEVATION (WEST FACING)



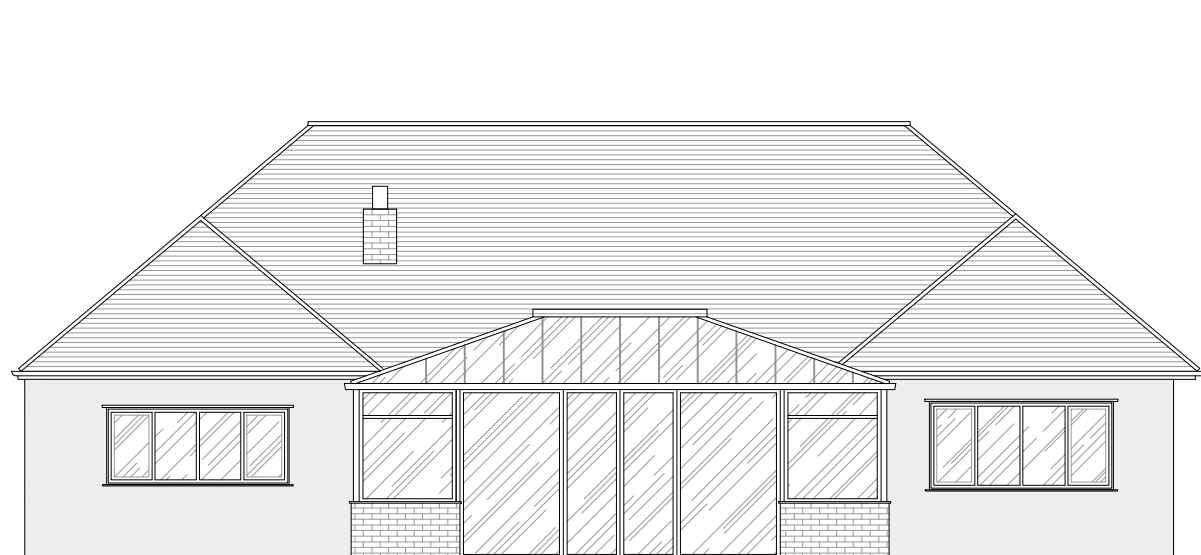
FRONT ELEVATION (NORTH FACING)



FRONT ELEVATION (SOUTH FACING)



REAR ELEVATION (SOUTH FACING)

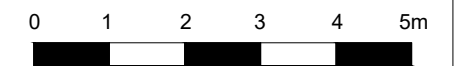


This drawing is the copyright design of Freeman Ankerman Partnership Limited. It must not be copied or reproduced or used in any way without written permission from Freeman Ankerman Partnership Limited. Dimensions to be checked on site do not scale from this drawing. All errors and omissions to be reported back to the Architect prior to commencement.

Freeman Ankerman Partnership Ltd



e mail@fap-architects.co.uk
t o2o 7394 2232



REV	BY	CHECKED	DATE

Notes: All dimensions to be checked on site
Do not scale from drawings

client
MR & MRS WILLIAMS

project
WHITE GATES
CHURCH ROAD
BULPHAN, RM14 3RU

drawing title
EXISTING ELEVATIONS

scale at sheet
1:100
ON A3

issue purpose
HOUSEHOLDER APPLICATION

project no.
2023-866

drawing no.
2023-866/03

sheet
1 OF 1

revision

north point

drawn
LT

checked by

signed

date
JANUARY 2024