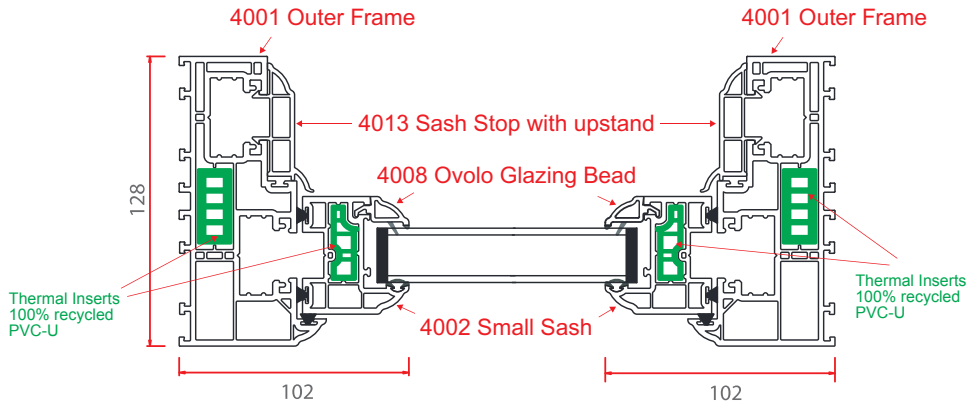
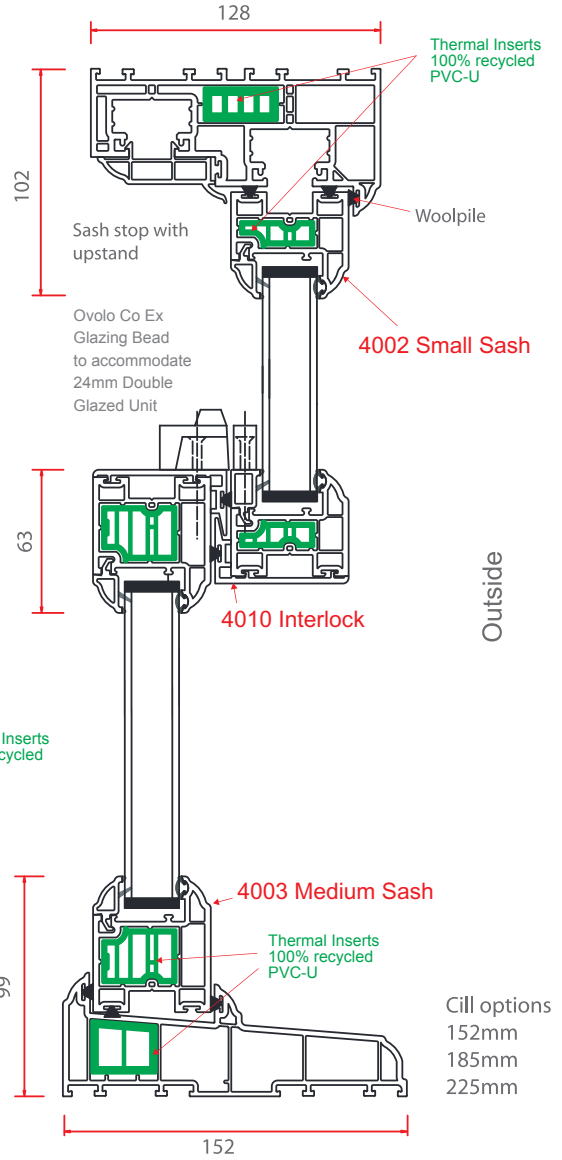


Technical Details

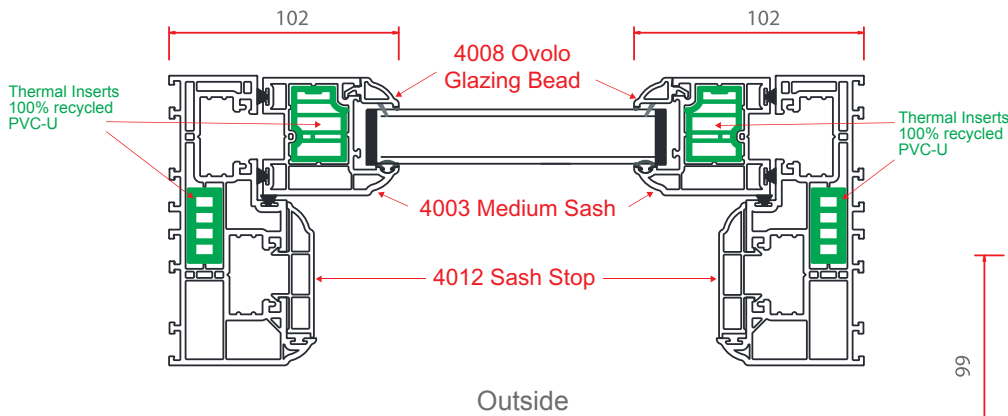
Horizontal section through top sash



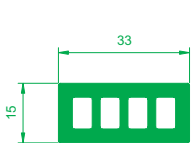
Vertical section through top sash



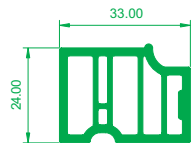
Horizontal section through bottom sash



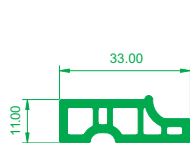
Note: Thermal inserts (coloured green) are manufactured from 100% recycled PVC-U.



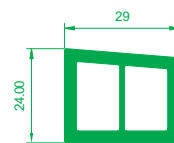
4401 Thermal Insert For 4001 Outer Frame



4402 Thermal Insert For 4003 Medium Sash



4403 Thermal Insert For 4002 Small Sash



4405 Thermal Insert For 4005, 4006, 4007 cill

Note: Installation Guidelines for ECOSlide PVC-U vertical sliding sash windows are available on request.