

TOLERANCES  
FABRICATION TOLERANCE: - TO BE + OR - 3mm  
OR WITHIN 2% OF THE GIVEN DIMENSION, WHICH  
EVER IS THE LESSER. UNLESS NOTED OTHERWISE.  
FIXING TOLERANCE: - TO BE + OR - 6mm.

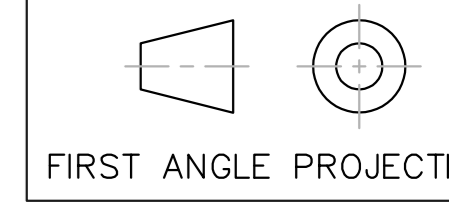
GENERAL NOTES  
ALL M/S MATERIAL TO BE GRADE 43 A STEEL (U.N.O.)  
ALL WELDS TO BE 6mm CFW UNLESS NOTED OTHERWISE  
ALL COMPONENTS TO BE HARD STAMPED OR PERMANENTLY  
MARKED ON UN-SEEN FACES WITH JOB No. & MARK No.

MATERIALS  
POSTS: TWIN 50 X 8 THICK MS FLAT  
TOP RAIL: 50 X 10 THICK PROFILED MS FLAT  
BOTTOM RAIL: 50 X 10 THICK MS FLAT  
INFILL BARS: Ø10 MS BAR

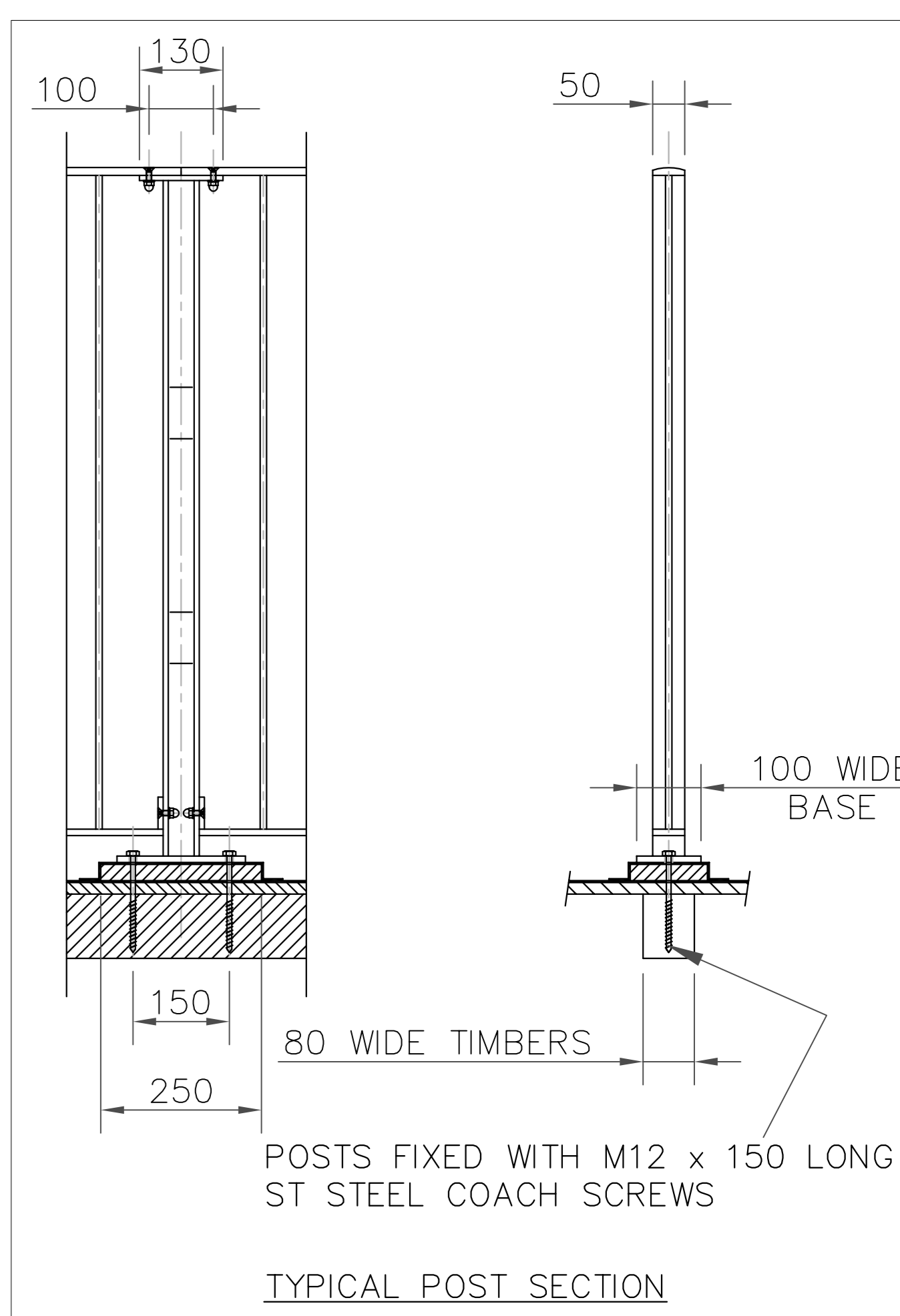
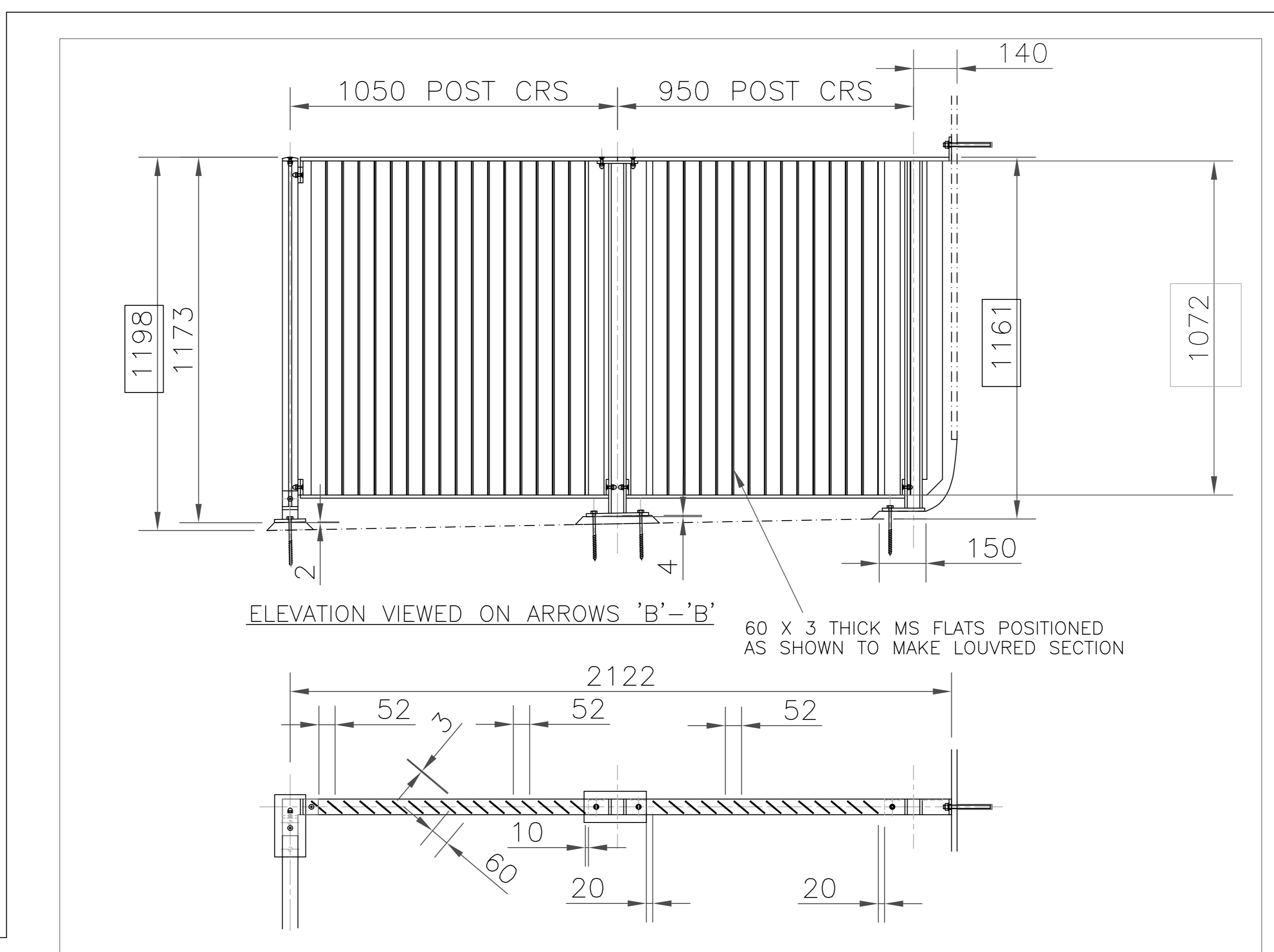
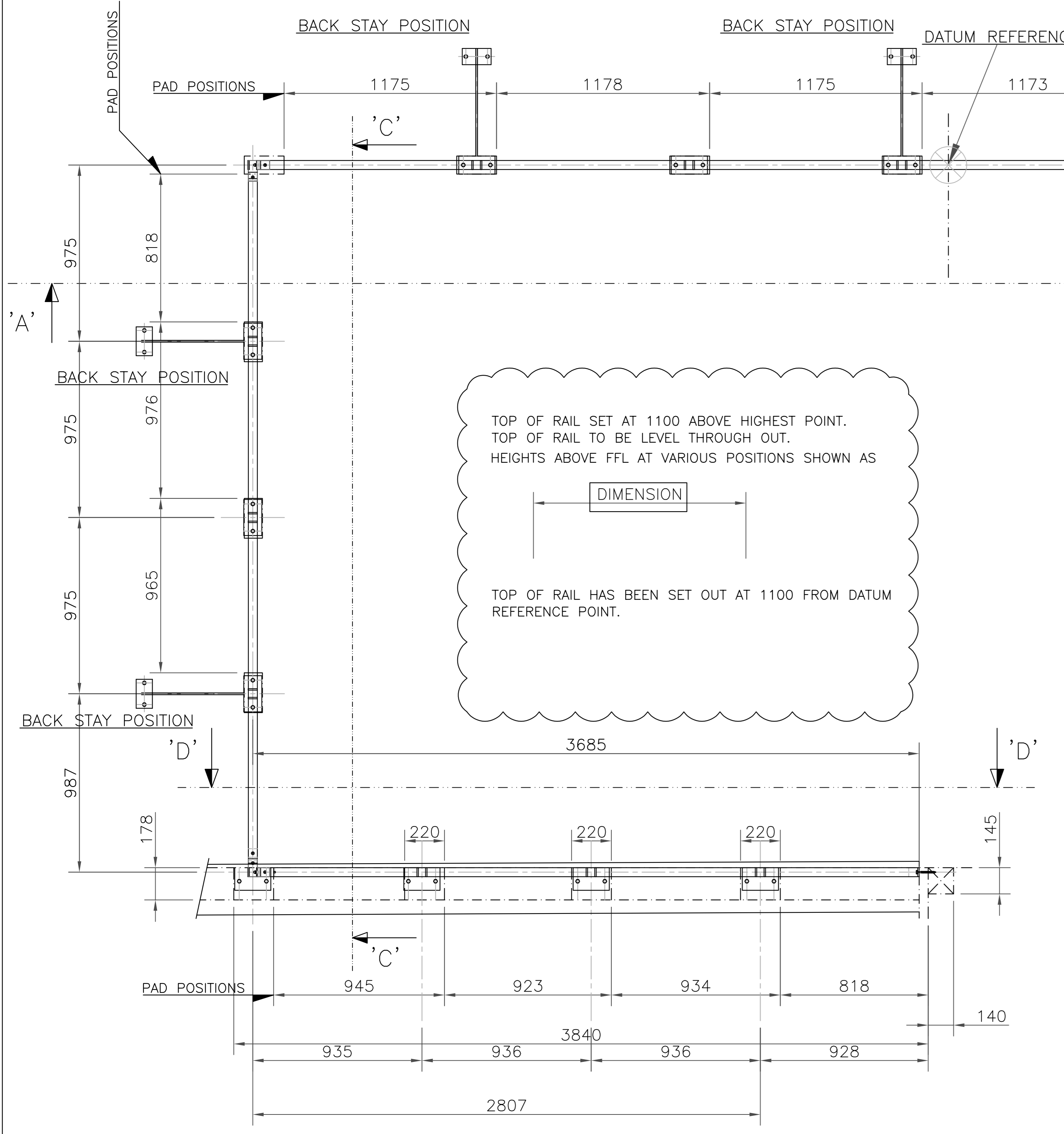
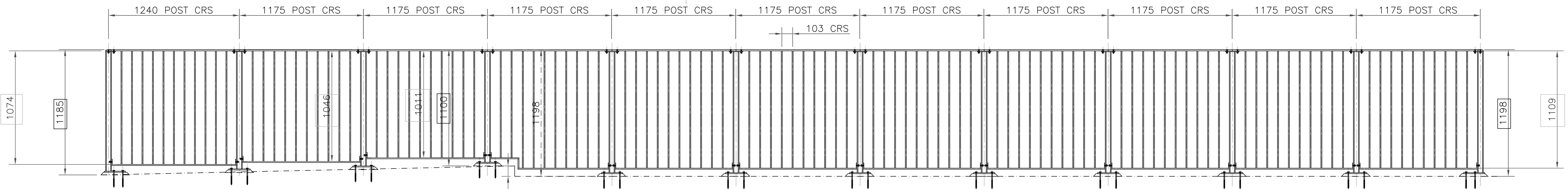
FINISH  
ALL STEEL ITEMS: GALVANISED & POWDER  
COATED RAL 7016 ANTHRACITE GREY.

THIS DRAWING HAS BEEN PRODUCED IN ACCORDANCE WITH  
A VISION ARCHITECTURAL SITE SURVEY. ANY VARIATIONS  
OR ADDITIONS ETC TO SURVEYED AREA MUST BE NOTIFIED  
IN WRITING TO VISION ARCHITECTURAL. FAILURE TO DO SO  
MAY RESULT IN COST AND PROGRAMME IMPLICATIONS.

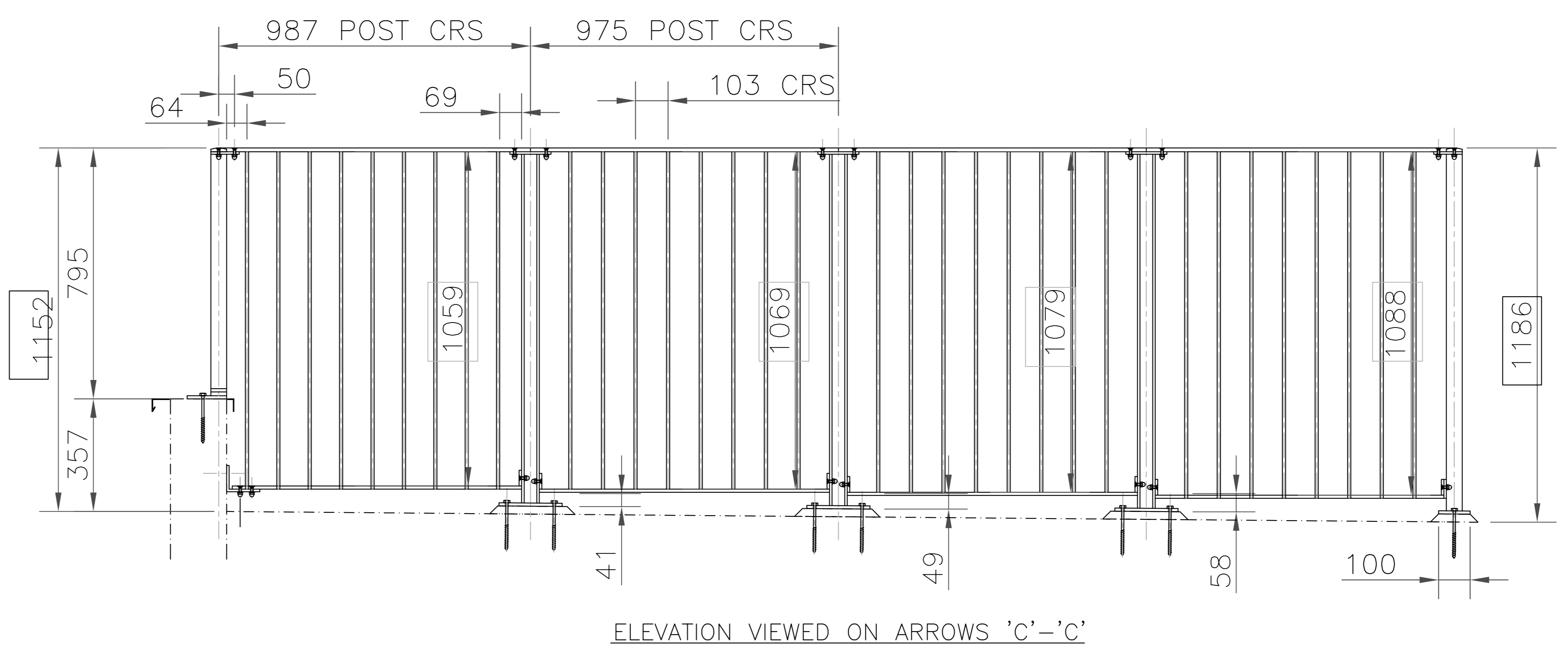
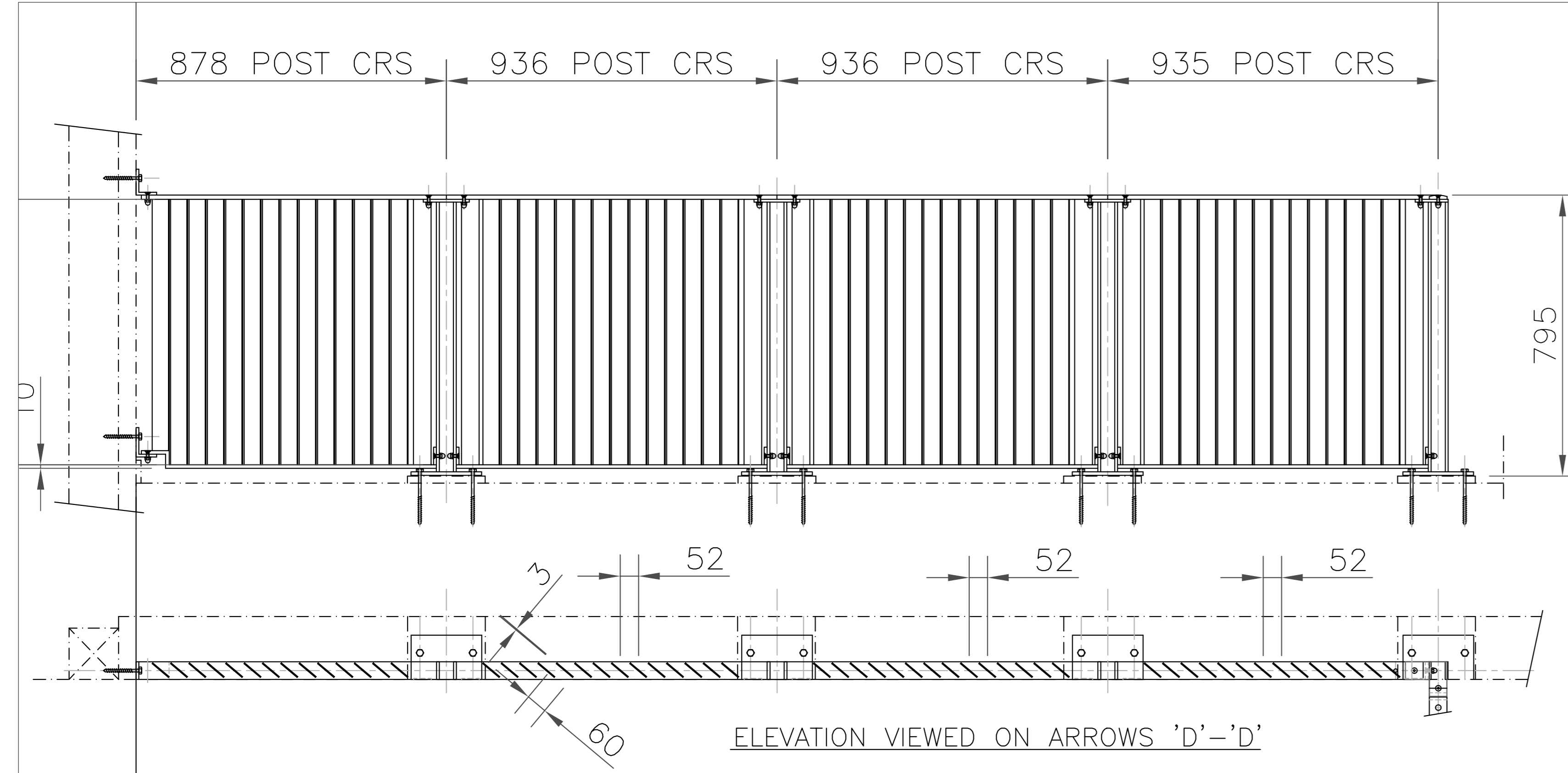
THIS DRAWING HAS BEEN PRODUCED IN ACCORDANCE WITH  
OUR INTERPRETATION OF THE ARCHITECTS / ENGINEERS  
DRAWINGS / REQUIREMENTS.



VISION ARCHITECTURAL Ltd. DO NOT  
ACCEPT ANY RESPONSIBILITY FOR  
INGRESS OF WATER WHEN REQUESTED TO  
FIX THROUGH COMPLETED ROOF  
FINISHES.



**ISSUE FOR  
FINAL  
APPROVAL**



REV/N	AMENDMENT DETAIL	DATE	BY
D	BACK STAY POSITIONS ADDED.	17.01.24	DH
C	ELEVATION ON 'B'-B' & 'D'-D' REVISED FOR FINAL APPROVAL ISSUE.	18.10.23	DH
B	ELEVATION ON 'D'-D' INFILL BARS REVISED TO FLATS.	05.10.23	DH
A	ELEVATION ON 'D'-D' FIXING REVISED HEIGHTS REVISED ON ALL LEVELS.	21.09.23	DH

**Vision Architectural and  
The Glass Balustrade Co. Ltd**

LASYARD HOUSE  
UNDERHILL STREET  
BRIDGNORTH  
SHROPSHIRE  
WV16 4BB  
TELE: 01746 714304  
TELE: 01746 763477  
WEBSITE: www.visionarchitectural.co.uk

CLIENT C & O ARCHITECTS

CONTRACT STAR MALLING

DESCRIPTION TERRACE BALUSTRADE SETOUT.

ISSUED FOR MANUFACTURE DATE: BY:

DRAWN BY: DH SHT - OF - DRG No.VA4308-2  
DATE: 26.07.23 SCALE: 1:16 & 10 REV/N: D