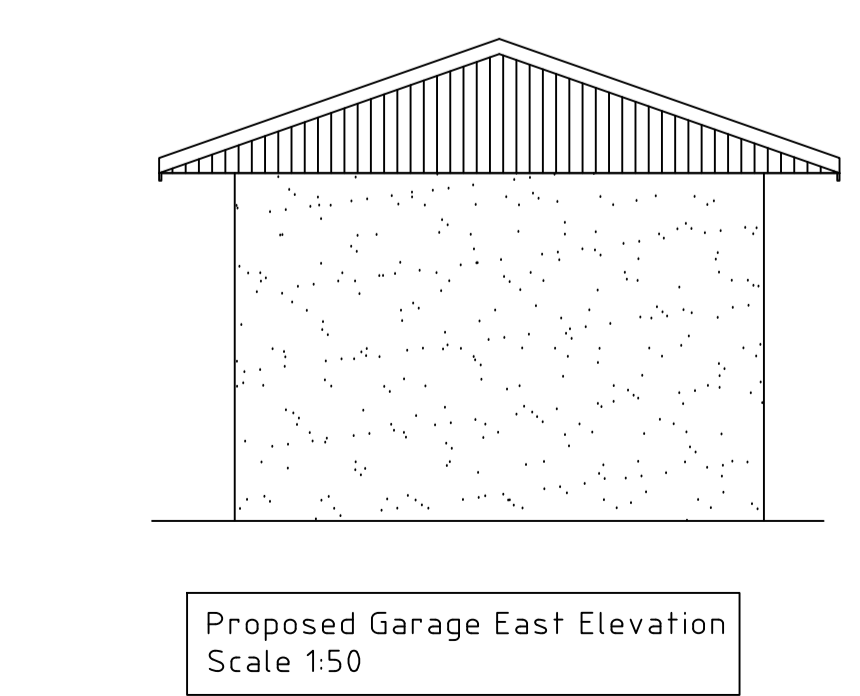
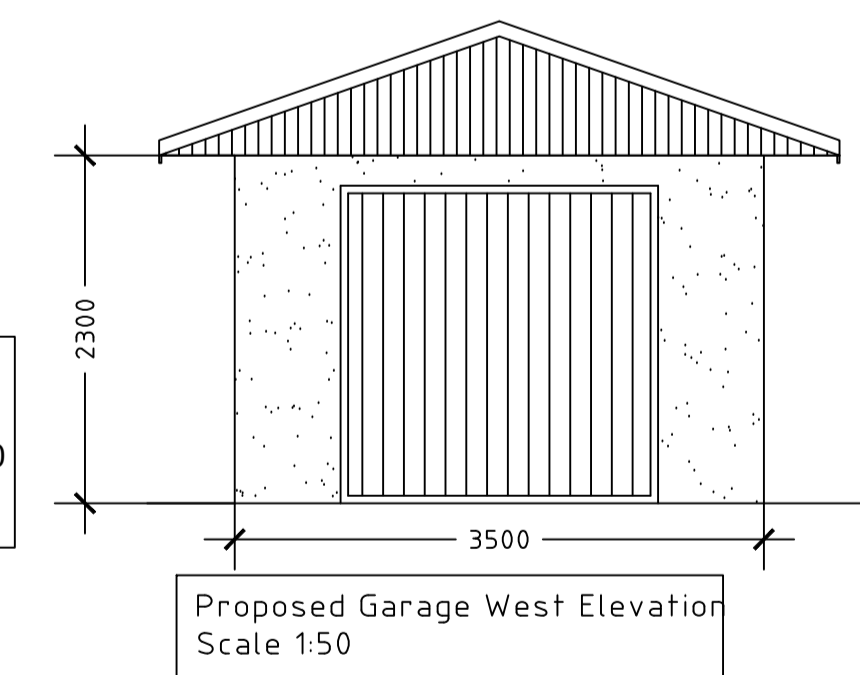
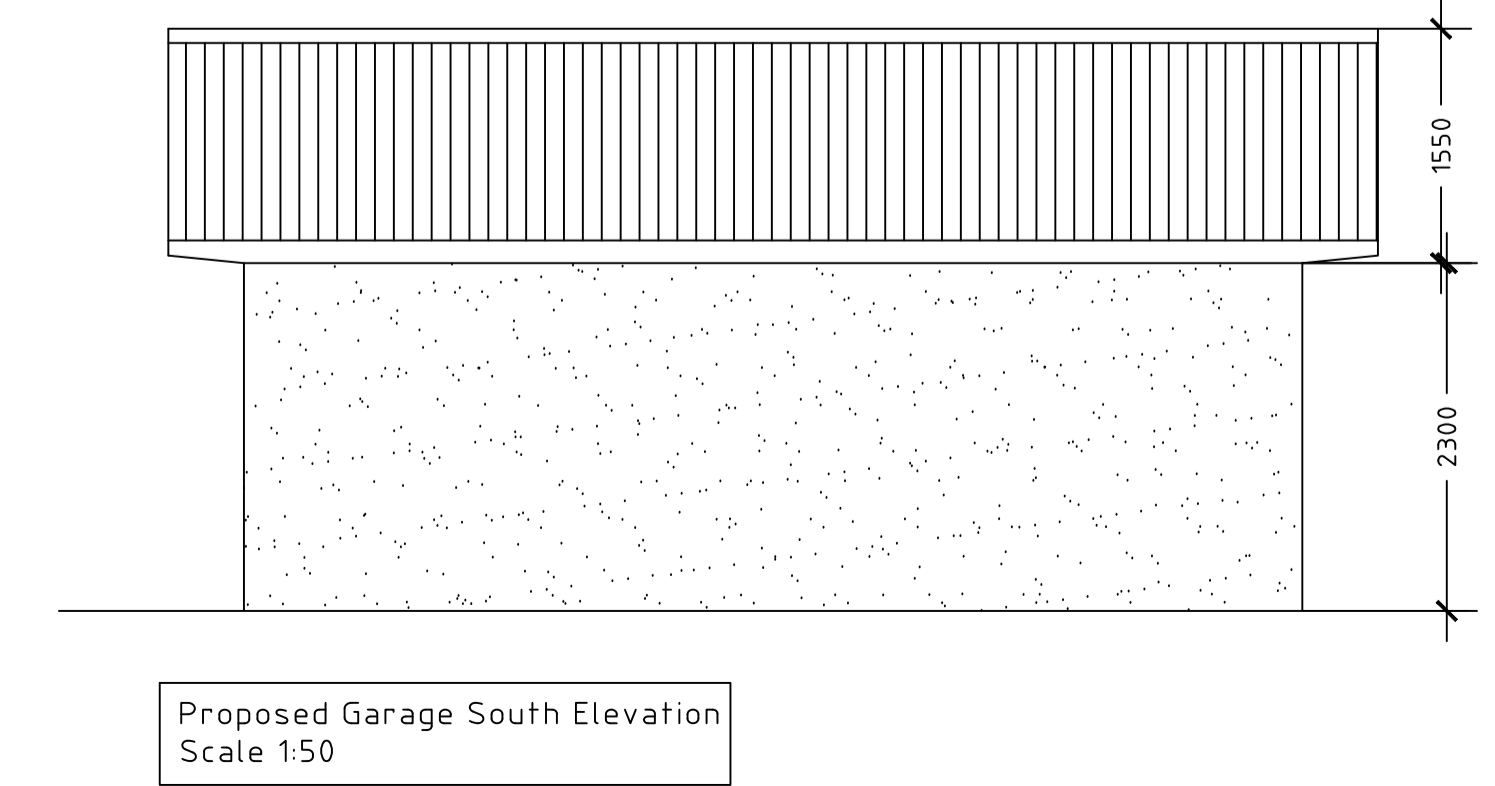
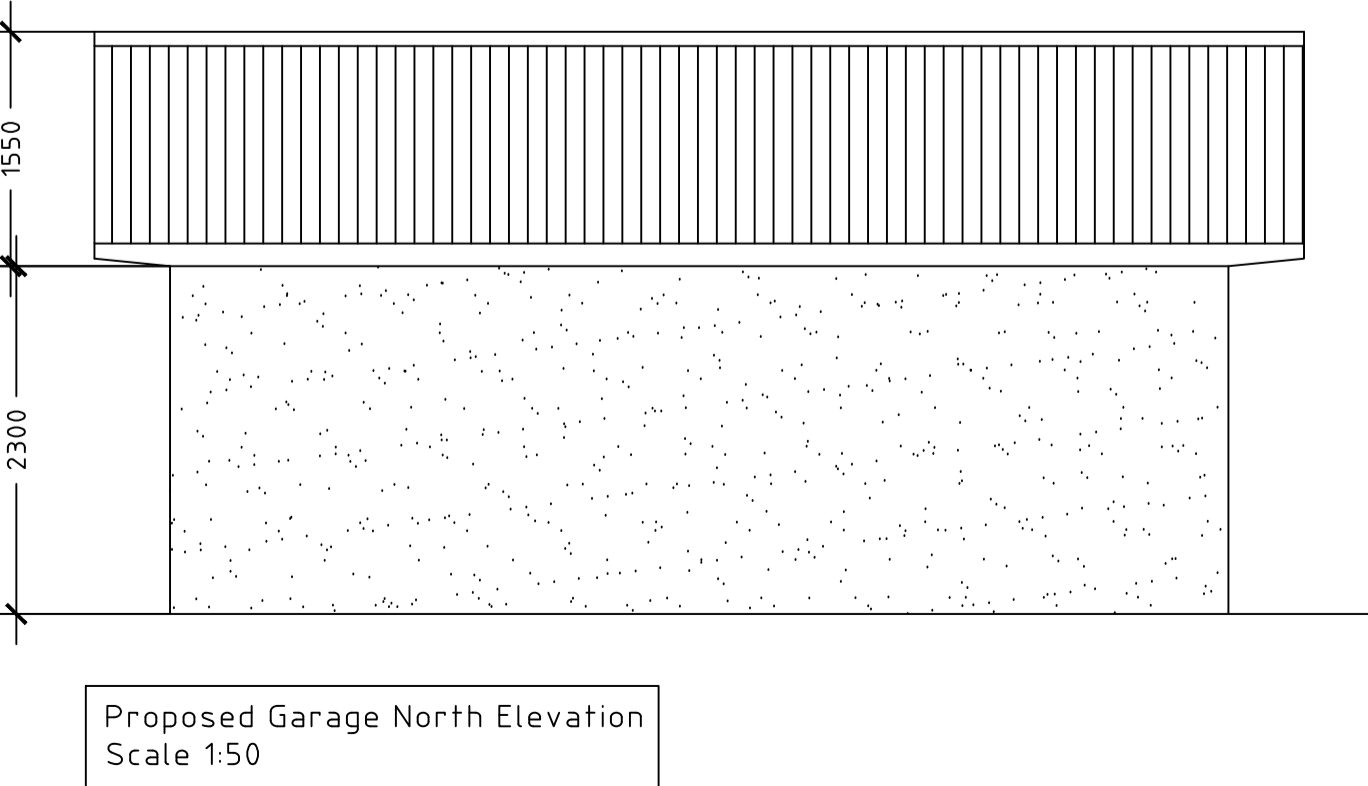
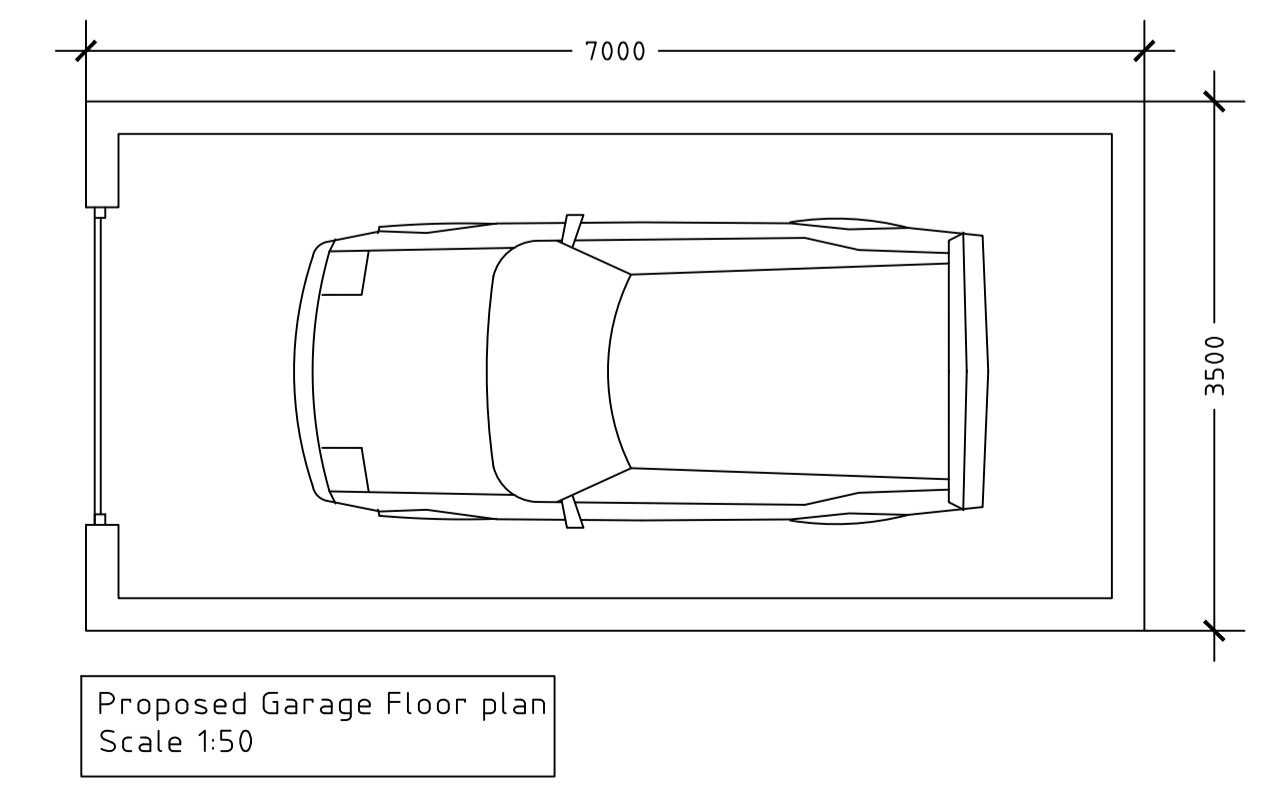


Proposed finishes:  
 Windows: White uPVC (sash and case type)  
 Doors: uPVC white  
 Gutters & Downpipes: Aluminium  
 Roof: Slate  
 Walls: Wet dash (colour to be decided)  
 Solar Panels: Clearline Fusion or equivalent  
 (Data sheet uploaded along with application)



Contract/Drawing No:	PL1024-02
Rev:	Amendment:
Date:	Initials:

Contract Title:  
**REPLACEMENT HOUSE & GARAGE AT REAR OF 30 & 30A KING STREET OLD MELDRUM AB51 0EQ FOR MR W MCBEY**

Drawing Title:  
**GROUND FLOOR, ELEVATIONS, CROSS SECTIONS**

Scales: 1: 50, 100  
 Date: 10.01.24 Drawn by: W J MCBEY

**THIS DRAWING TO BE READ IN CONJUNCTION WITH**

Drawing No.  
 Engineers Design No.