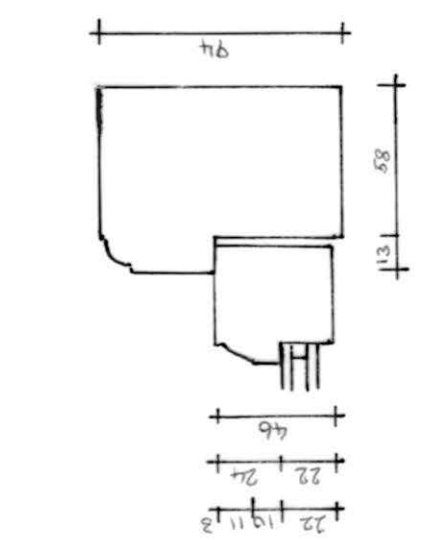
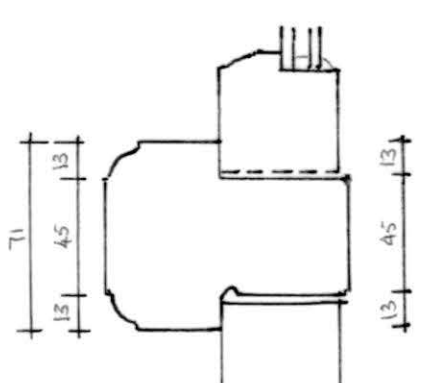


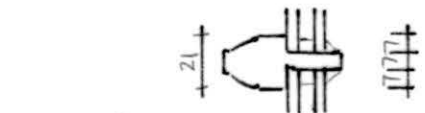
Typical Jamb Detail
Casement arrangement
shown



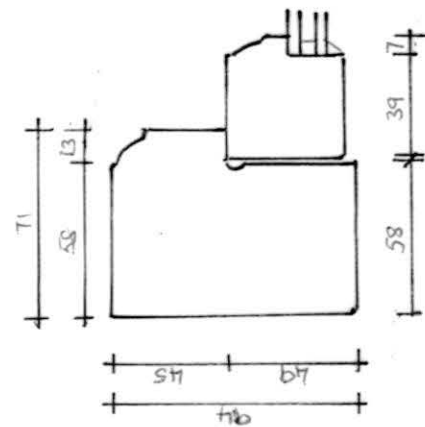
Typical Mullion Detail
Casement/Fixed Light situation
shown



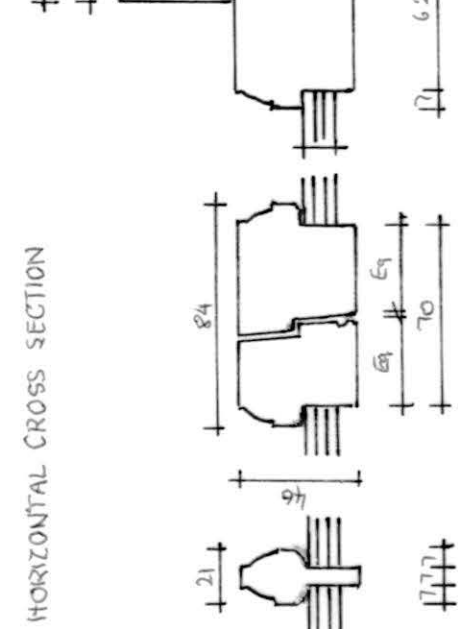
Glazing Bar



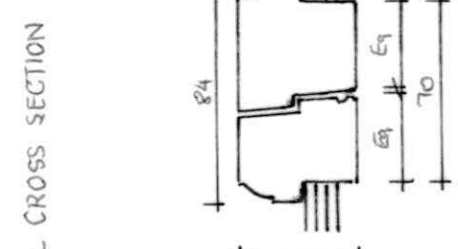
Typical Jamb Detail
Casement arrangement
shown



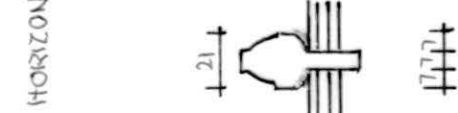
Typical Head Detail
Casement/Top Hung
situation shown



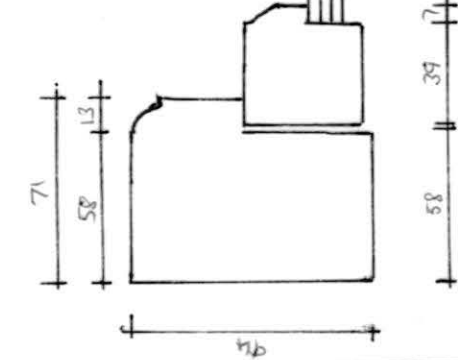
Transome Rail Detail
Top Hung/Fixed light junction shown
Furcament, transome member
is solid/angle element



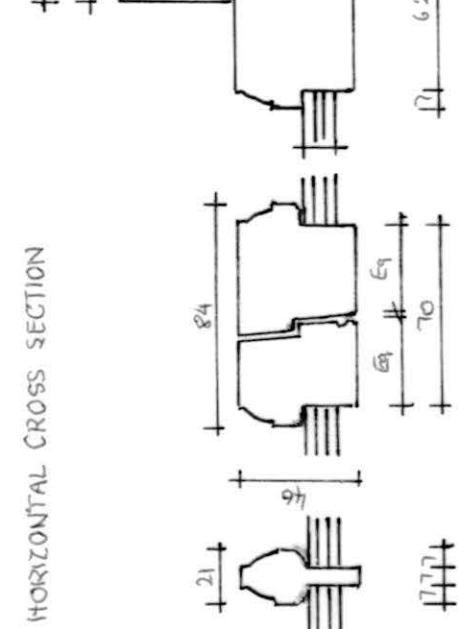
Glazing Bar



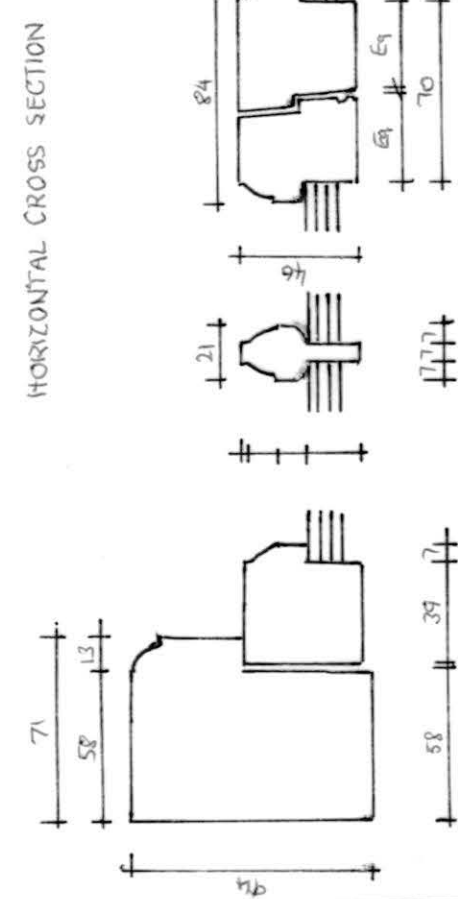
Typical Head Detail
Casement/Top Hung
situation shown



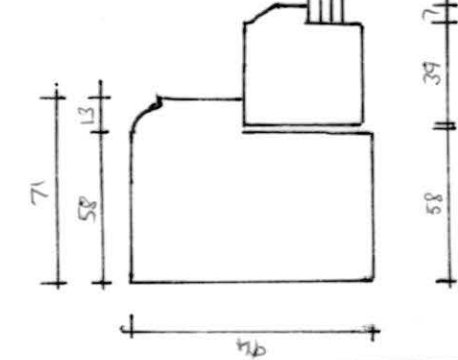
Typical Jamb Detail
Casement arrangement
shown



Vertical Cross Section



Cill Detail
Casement situation



DWG: CB7

C J BERRY
11 NEVILLE RD
LONDON W15

Proposed Window and External
Door Replacements details

