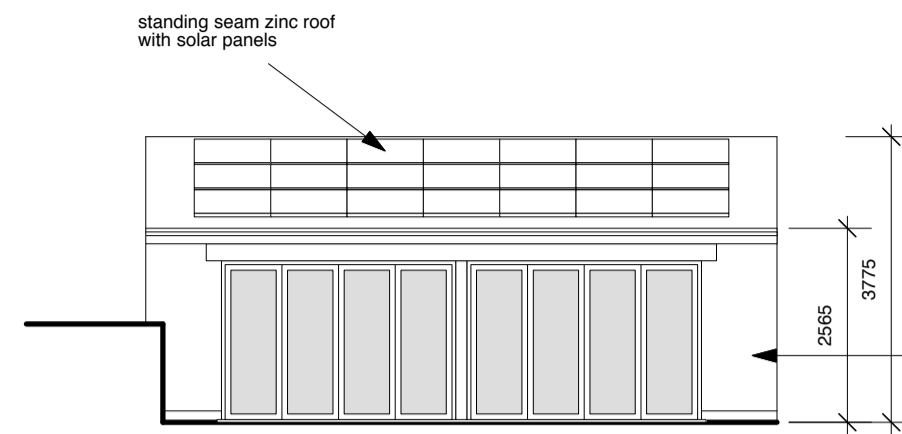
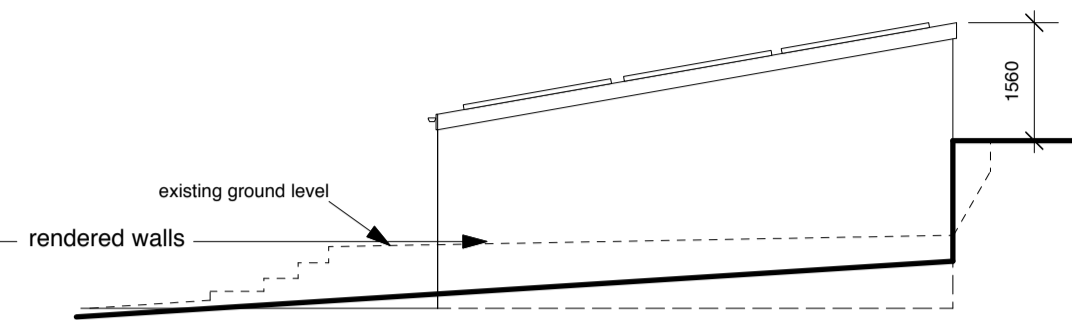


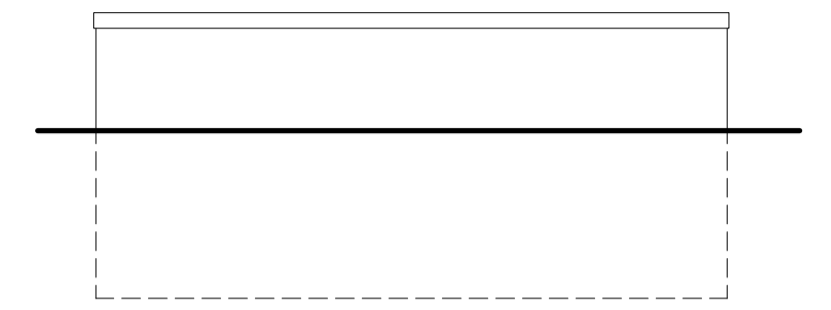
PROPOSED NORTH WEST ELEVATION 1:100



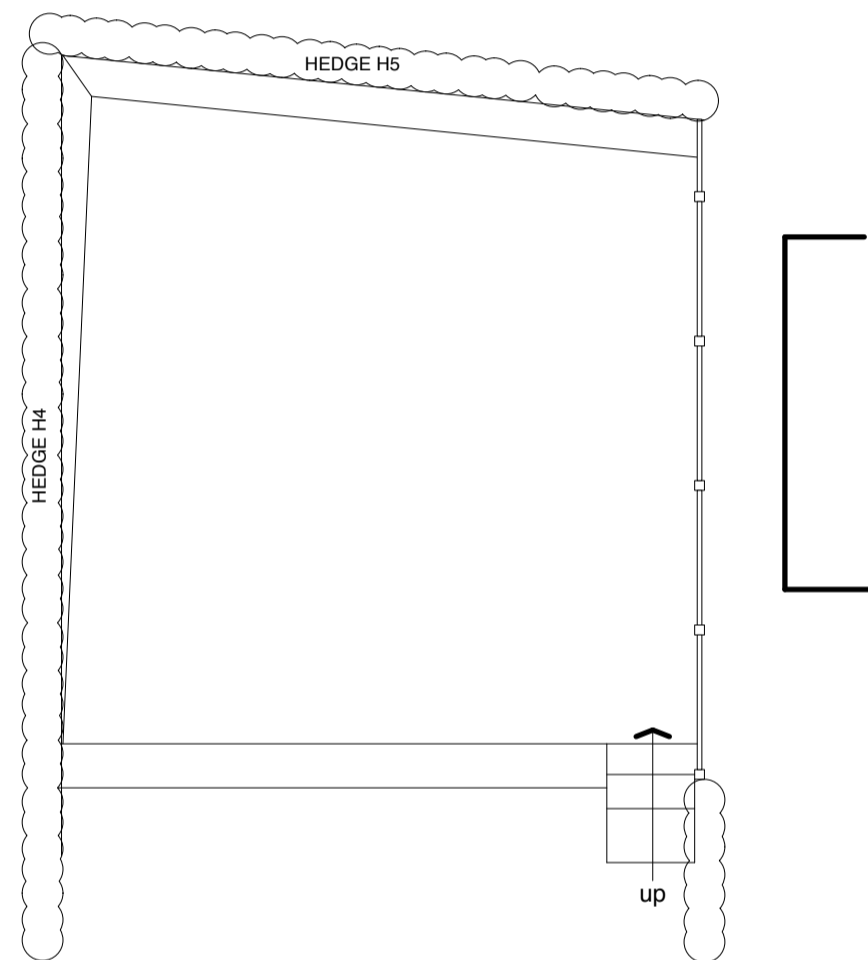
PROPOSED SOUTH WEST ELEVATION 1:100



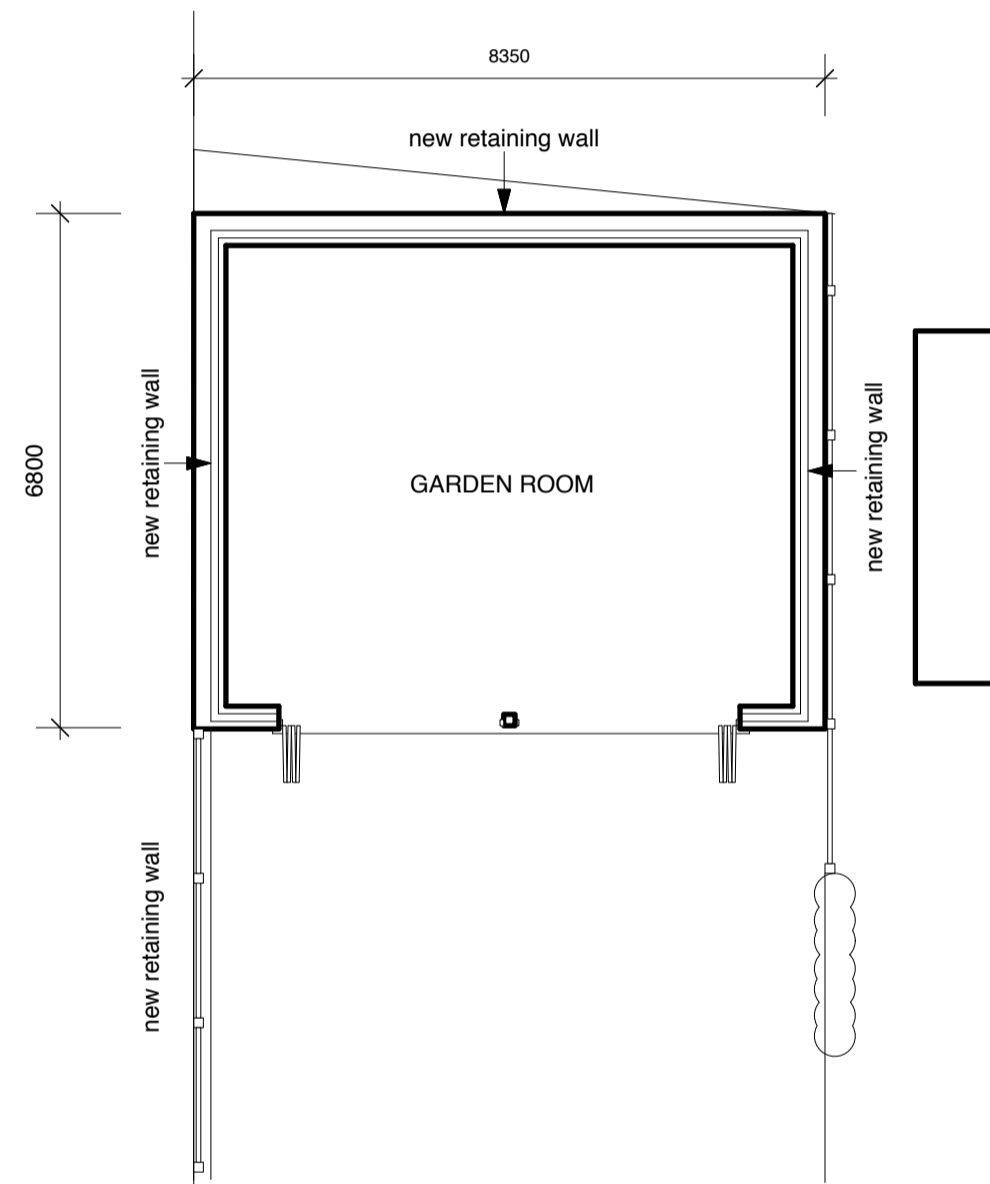
PROPOSED SOUTH EAST ELEVATION 1:100



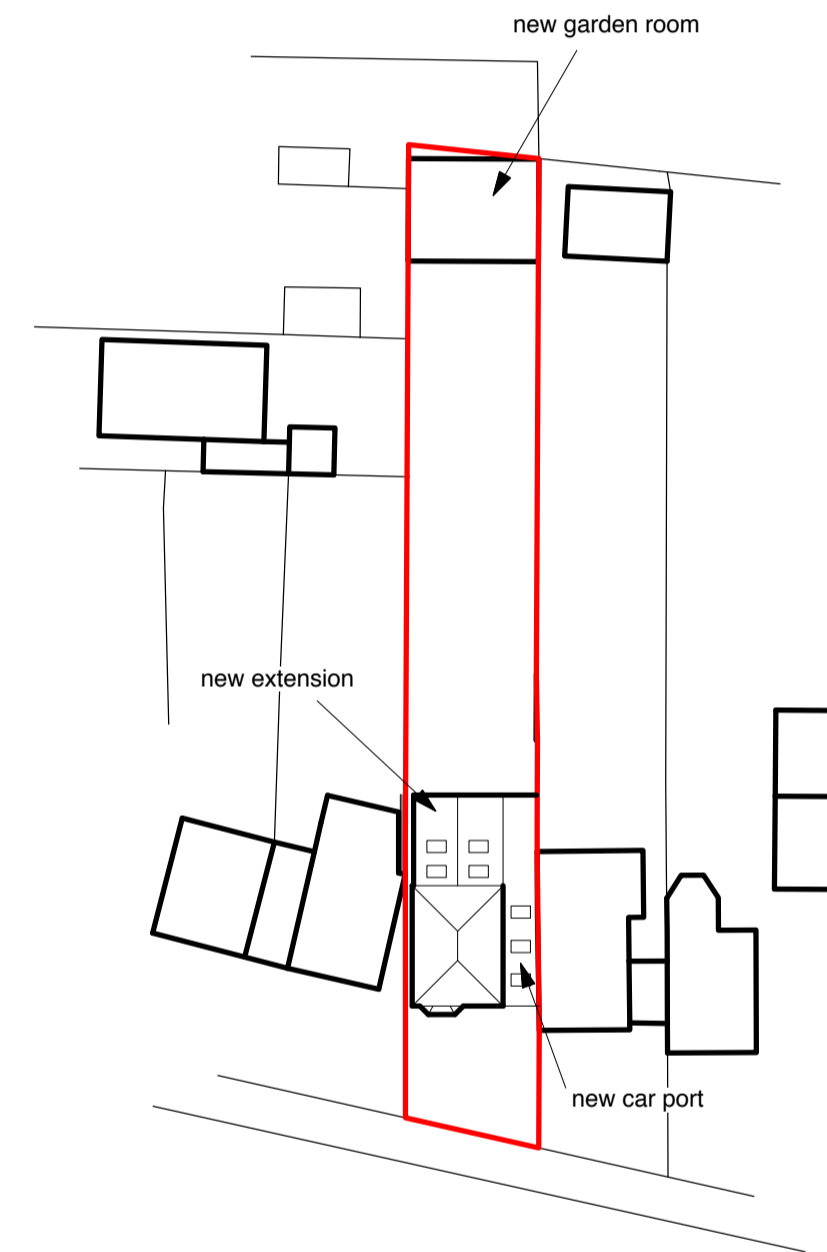
PROPOSED NORTH EAST ELEVATION 1:100



EXISTING PLAN of REAR of GARDEN 1:100



PROPOSED PLAN of REAR of GARDEN 1:100



BLOCK & ROOF PLAN 1:500

IAN WALTON DESIGNER

client Mr M Riddles

project 124 Westdale Lane
Gedling
Nottingham
NG4 3NH

drawing PROPOSED GARDEN ROOM

date April 2023 scale 1:100 & 500 @ A2

drawing no MR-23-P03revA

IAN WALTON BA(Hons)Int Des
417 MANSFIELD ROAD
NOTTINGHAM NG5 2DP
TEL 07970 510531
email ian@ianwaltondesigner.co.uk