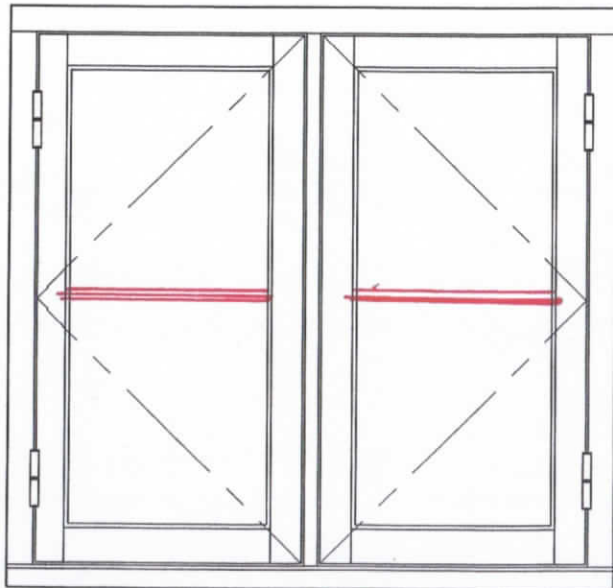
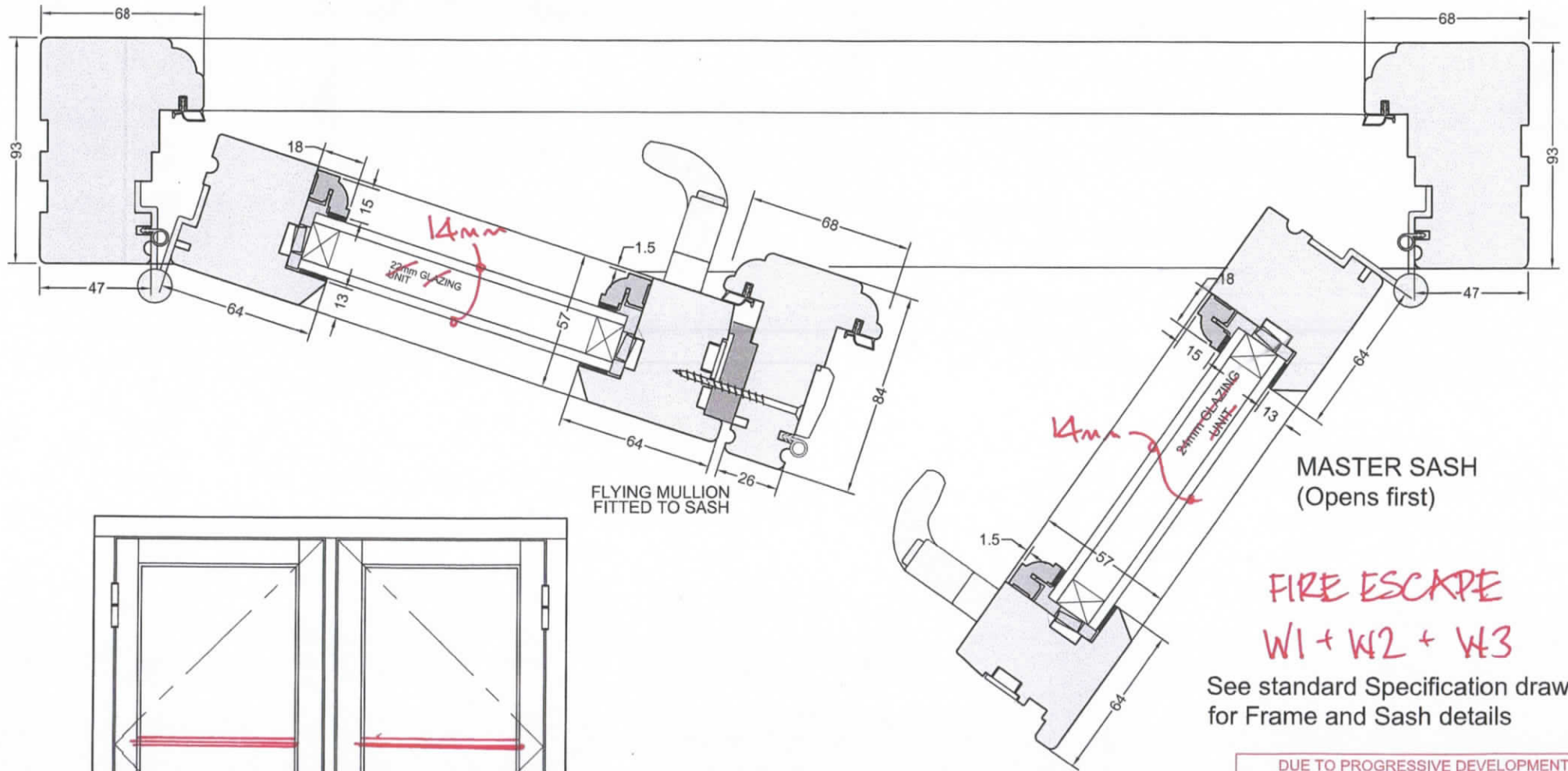


CONSERVATION CASEMENT SIDE HUNG with 68mm FLYING MULLION

12/12/2014 REVISION C
FILE: SH1-12SX

Ovolo Profile on Frame and Beading



JAMB/MULLION SECTION
Ovolo Profile shown, also available with
Lambs Tongue or Square Edge profile

FIRE ESCAPE
W1 + W2 + W3
See standard Specification drawing
for Frame and Sash details

DUE TO PROGRESSIVE DEVELOPMENT
MUMFORD & WOOD LIMITED RESERVE
THE RIGHT TO MODIFY OR CHANGE
SPECIFICATIONS WITHOUT PRIOR NOTICE
THIS DRAWING & SPECIFICATIONS ARE THE PROPERTY OF MUMFORD
& WOOD Ltd. THEY ARE ISSUED IN STRICT CONFIDENCE AND SHALL
NOT BE REPRODUCED, COPIED OR USED AS THE BASIS FOR
MANUFACTURING WITHOUT WRITTEN PERMISSION.



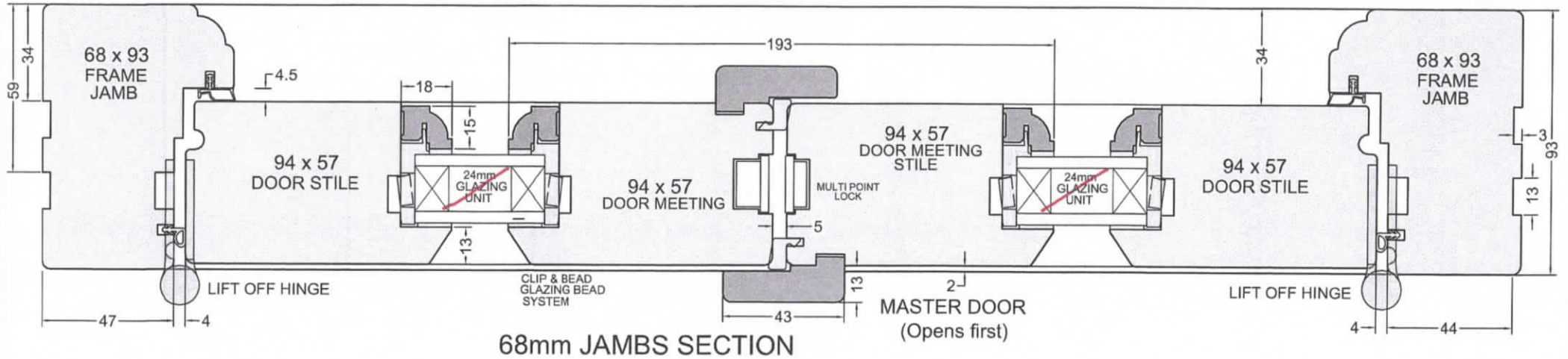
TOWER BUSINESS PARK,
KELVEDON ROAD
TIPTRÉE, ESSEX
CO5 0LX
Tel: 01621 818155 FAX: 01621 818175
EMAIL: sales@mumfordwood.com
WEB: www.mumfordwood.com

CONSERVATION DOORS

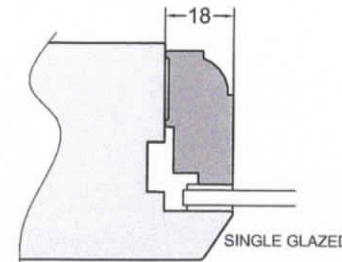
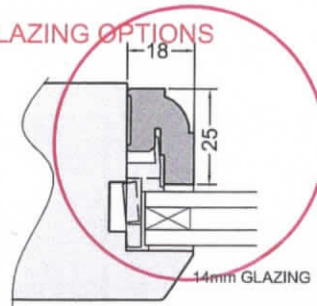
OPEN OUT FRENCH DOORS: 68mm Jambs Section

05/11/2018 REVISION D
FILE: FD1-04SX

Ovolo profile shown,
also available with Lambs Tongue profile.



GLAZING OPTIONS



Note: Master door can be either
Left or Right Hand Door.

DUE TO PROGRESSIVE DEVELOPMENT
MUMFORD & WOOD LIMITED RESERVE
THE RIGHT TO MODIFY OR CHANGE
SPECIFICATIONS WITHOUT PRIOR NOTICE

THIS DRAWING & SPECIFICATIONS ARE THE PROPERTY OF MUMFORD & WOOD Ltd. THEY ARE ISSUED IN STRICT CONFIDENCE AND SHALL NOT BE REPRODUCED, COPIED OR USED AS THE BASIS FOR MANUFACTURING WITHOUT WRITTEN PERMISSION.



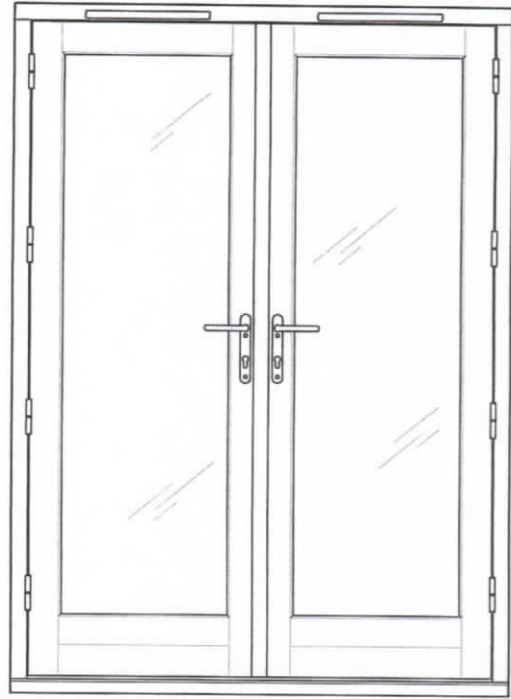
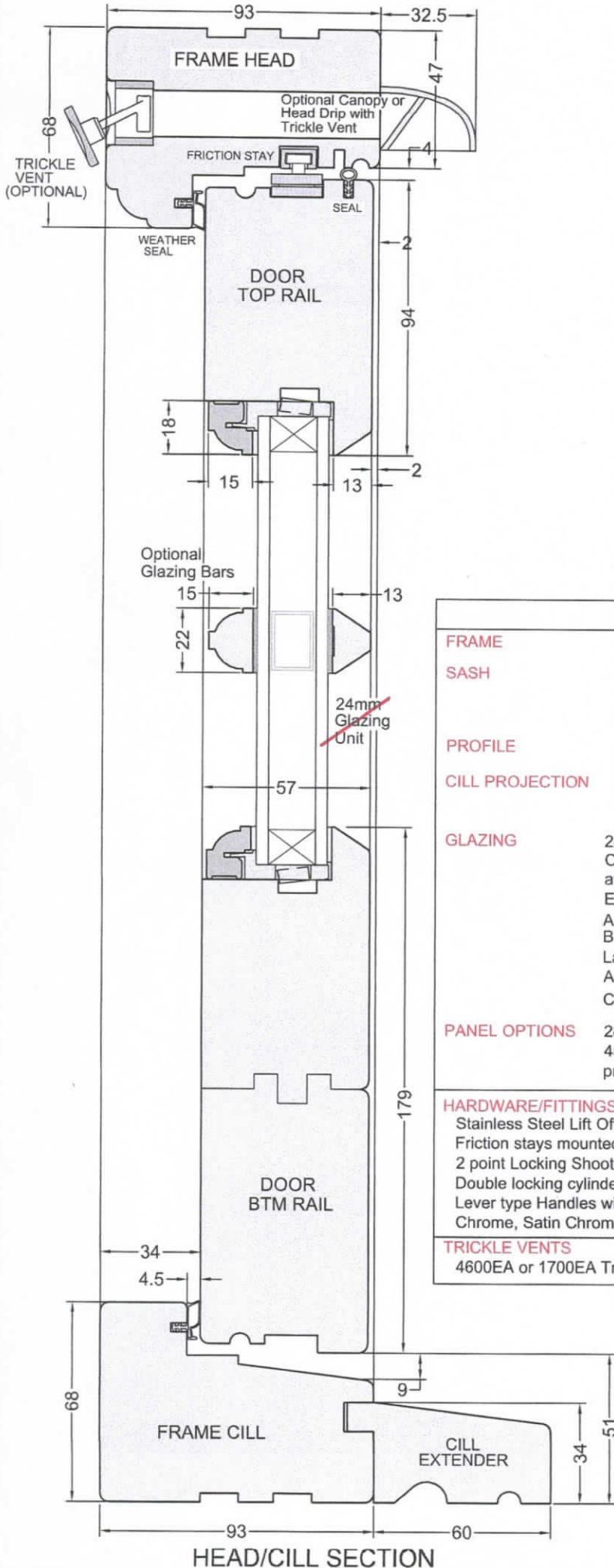
TOWER BUSINESS PARK,
KELVEDON ROAD
TIPTREE, ESSEX
CO5 0LX
Tel: 01621 818155 FAX: 01621 818175
EMAIL: sales@mumfordwood.com
WEB: www.mumfordwood.com

CONSERVATION DOORS

OPEN OUT with Timber Cill: 68mm Frame

05/11/2018 REVISION G

FILE: FD1-01SX



STANDARD SPECIFICATIONS

FRAME	68 x 93mm HEAD, JAMBS & CILL.
SASH	94 x 57mm TOP RAIL & STILES 179 x 57mm BOTTOM RAIL 179 x 57mm MID RAIL if specified.
PROFILE	OVOLO (shown) or LAMBS TONGUE
CILL PROJECTION	60mm (shown) Flush, 35mm or 85mm. 110mm Cill extender can be fitted, but is not covered by warranty.
GLAZING	24mm Low E Sealed Unit. (4mm/16mm Warm Edge Spacer/4mm) Obscure, Sound Control, Toughened and Laminated Options available, Argon filled cavity. Outer perimeter has Standard Warm Edge Spacer, colour WHITE, Optional BLACK. Also available with 14mm (4/6/4) glazing with SILVER or BRONZE Colour Aluminium spacer Laminated SBD glazing is 24.8mm (6.8mm/14mm/4mm) All Curved Glass will have Aluminium spacer Clip & Bead glazing bead system.
PANEL OPTIONS	28mm Insulated Core MDF Faced Flat Panel. 45mm Insulated Core with MDF Raised & Fielded profiles on both sides.
HARDWARE/FITTINGS	Stainless Steel Lift Off Hinges (4 per door) Optional Hinge Bolts Friction stays mounted in Head. 2 point Locking Shootbolt with central mortice dead bolt and latch set. Double locking cylinder Lever type Handles with Backplate, available in Polished Brass, Polished Chrome, Satin Chrome, Bright Bronze, Satin Bronze, Black or White.
TRICKLE VENTS	4600EA or 1700EA Trickle Vents can be fitted to Top Rail or Head.

DUE TO PROGRESSIVE DEVELOPMENT
MUMFORD & WOOD LIMITED RESERVE
THE RIGHT TO MODIFY OR CHANGE
SPECIFICATIONS WITHOUT PRIOR NOTICE

THIS DRAWING & SPECIFICATIONS ARE THE PROPERTY OF MUMFORD & WOOD Ltd. THEY ARE ISSUED IN STRICT CONFIDENCE AND SHALL NOT BE REPRODUCED, COPIED OR USED AS THE BASIS FOR MANUFACTURING WITHOUT WRITTEN PERMISSION.

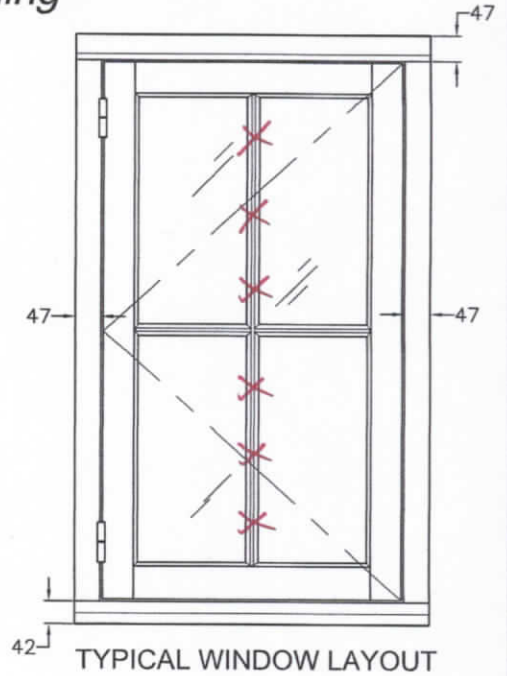
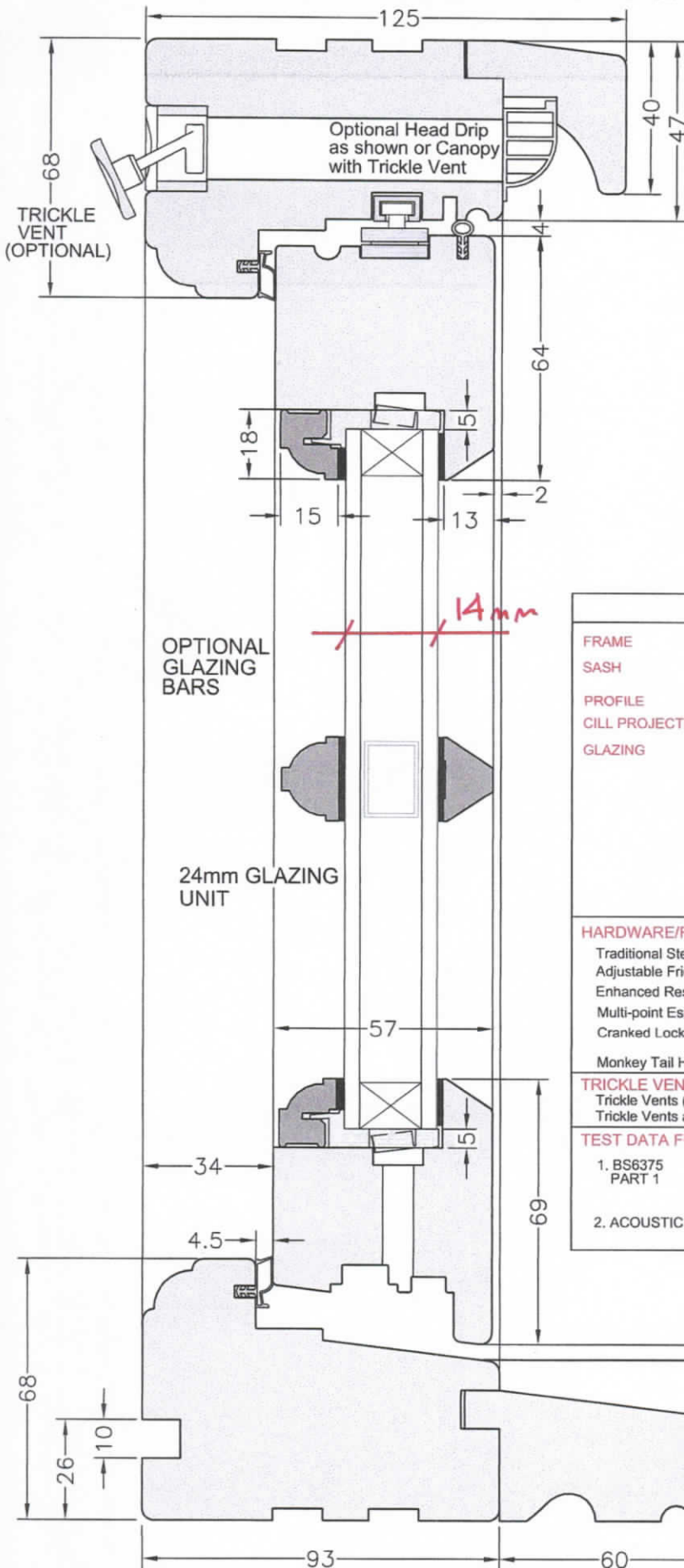


TOWER BUSINESS PARK,
KELVEDON ROAD
TIPTREE, ESSEX
CO5 0LX
Tel: 01621 818155 FAX: 01621 818175
EMAIL: sales@mumfordwood.com
WEB: www.mumfordwood.com

CONSERVATION CASEMENT SIDE HUNG SYSTEM

05/11/2018 REVISION C
FILE: SH1-01dSX

Ovolo Profile on Frame and Beading



SPECIFICATIONS

FRAME	68x93mm HEAD, JAMBS, CILL, MULLION & TRANSOM.
SASH	64x57mm TOP RAIL & STILES, . 70x57mm BOTTOM RAIL, Drained and Vented.
PROFILE	OVOLO (shown) LAMBS TONGUE or SQUARE EDGE
CILL PROJECTION	60mm (shown) Additional Options: Flush, 35mm or 85mm.
GLAZING	24mm Low E Sealed Unit, (4mm/16mm Warm Edge Spacer/4mm) Obscure, Sound Control, Toughened and Laminated Options available, Argon filled cavity. Outer perimeter has Standard Warm Edge Spacer, colour WHITE, Optional BLACK. Also available with 14mm (4/6/4) glazing with SILVER or BRONZE Colour Aluminium spacer Laminated SBD glazing is 24.8mm (6.8mm/14mm/4mm) All Curved Glass will have Aluminium spacer Clip & Bead glazing bead system.
HARDWARE/FITTINGS	Traditional Steel Lift-Off Butt Hinges Adjustable Friction Stay in Head Enhanced Restrictor fitted to Cill (Optional) Multi-point Espagnolette Locking System Cranked Locking Handles, available in Polished Brass, Polished Chrome, Satin Chrome Bright Bronze, Satin Bronze, Black or White. Monkey Tail Handles available in Black.
TRICKLE VENTS	Trickle Vents (4600EA) can be fitted to Head. Timber Head Drip (as shown) or canopy fitted. Trickle Vents are available in White or Brown only.
TEST DATA FOR THIS WINDOW	1. BS6375 PART 1 EN1026:2000 AIR PERMEABILITY CLASS 4 EN 1027:2000 WATERTIGHTNESS CLASS E1200 EN 12211:2000 RESISTANCE TO WIND LOAD CLASS C5 2. ACOUSTIC RATING RW(C;Ctr)= 40 (-2;6) db with sound control glass. RW(C;Ctr)= 36 (-2;6) db with standard 4/14/4 glass.

**DUE TO PROGRESSIVE DEVELOPMENT
MUMFORD & WOOD LIMITED RESERVE
THE RIGHT TO MODIFY OR CHANGE
SPECIFICATIONS WITHOUT PRIOR NOTICE**

THIS DRAWING & SPECIFICATIONS ARE THE PROPERTY OF MUMFORD & WOOD Ltd. THEY ARE ISSUED IN STRICT CONFIDENCE AND SHALL NOT BE REPRODUCED, COPIED OR USED AS THE BASIS FOR MANUFACTURING WITHOUT WRITTEN PERMISSION.

WINDOW BOARD GROOVE AS STANDARD
NO WINDOW BOARD GROOVE: OPTIONAL
HEAD/CILL SECTION



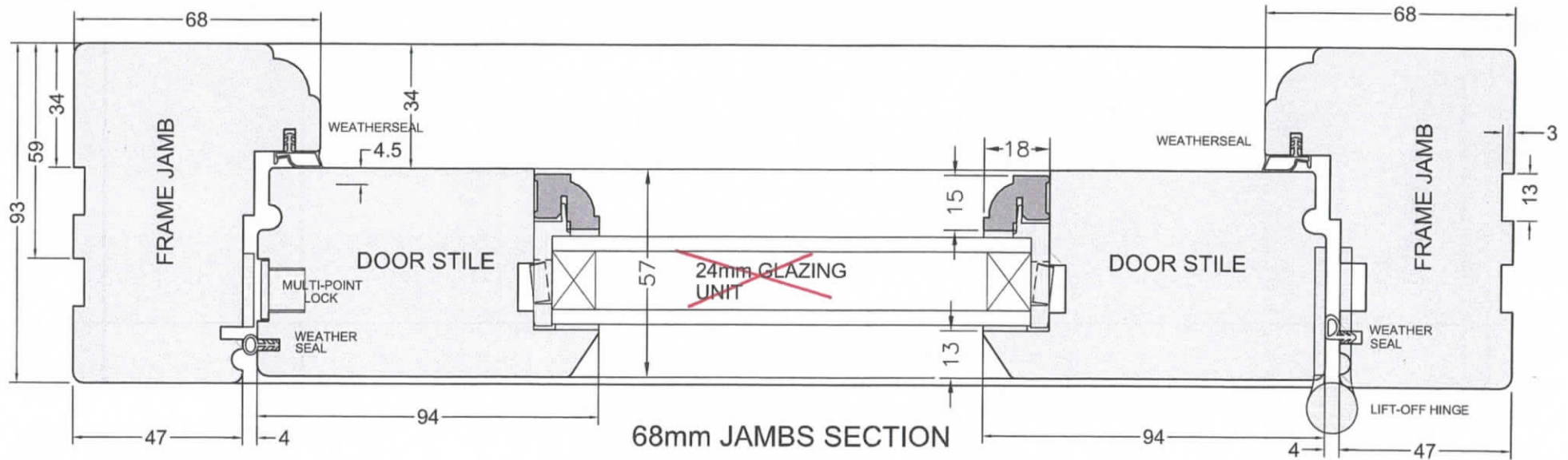
TOWER BUSINESS PARK,
KELVEDON ROAD
TIPTREE, ESSEX
CO5 0LX
Tel: 01621 818155 FAX: 01621 818175
EMAIL: sales@mumfordwood.com
WEB: www.mumfordwood.com

CONSERVATION DOORS

OPEN OUT: 68mm Jambs Section

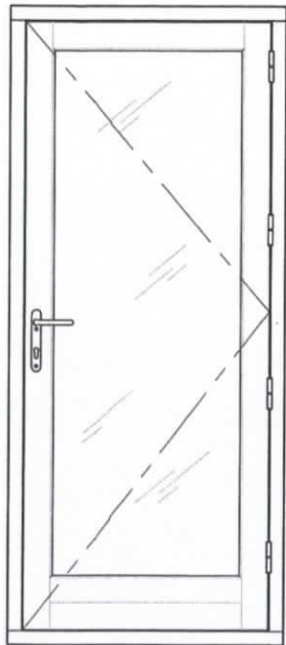
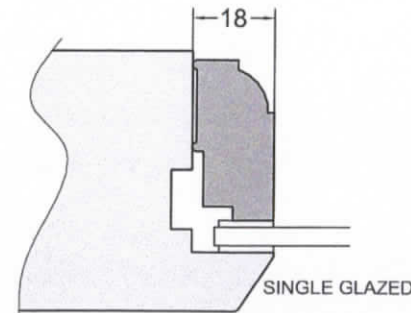
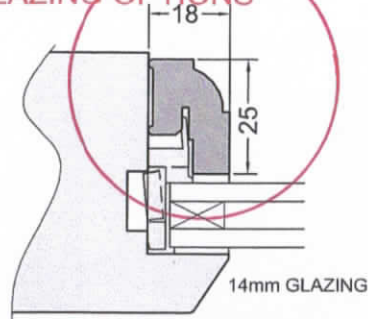
05/11/2018 REVISION D

FILE: FD1-03SX



Ovolo profile shown,
also available with Lambs Tongue profile.

GLAZING OPTIONS



Note: Door can be either Left
or Right-hand opening

DUE TO PROGRESSIVE DEVELOPMENT
MUMFORD & WOOD LIMITED RESERVE
THE RIGHT TO MODIFY OR CHANGE
SPECIFICATIONS WITHOUT PRIOR NOTICE

THIS DRAWING & SPECIFICATIONS ARE THE PROPERTY OF MUMFORD & WOOD Ltd. THEY ARE ISSUED IN STRICT CONFIDENCE AND SHALL NOT BE REPRODUCED, COPIED OR USED AS THE BASIS FOR MANUFACTURING WITHOUT WRITTEN PERMISSION.



TOWER BUSINESS PARK,
KELVEDON ROAD
TIPTREE, ESSEX
CO5 0LX
Tel: 01621 818155 FAX: 01621 818175
EMAIL: sales@mumfordwood.com
WEB: www.mumfordwood.com