

CONSERVATION CASEMENT DOUBLE GLAZED 4/16/4 TRADITIONAL FLUSH CASEMENT

WOOD & WISDOM

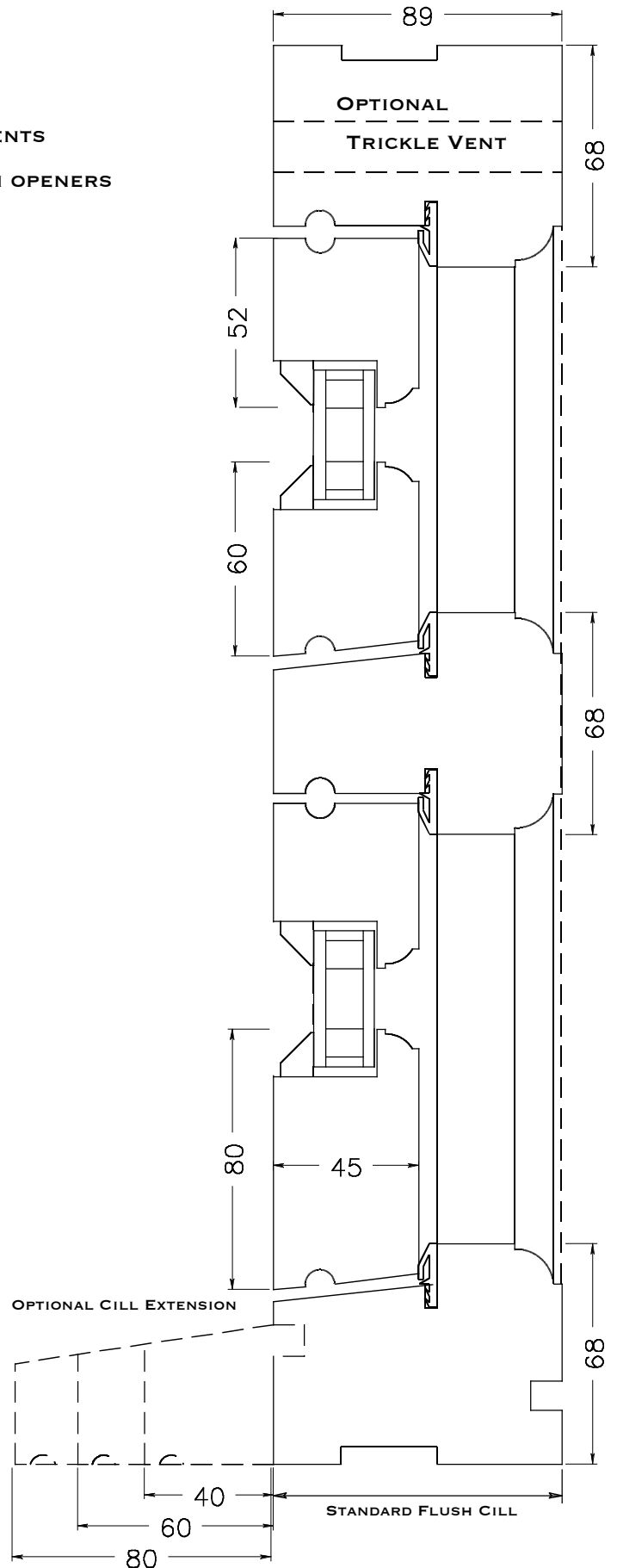
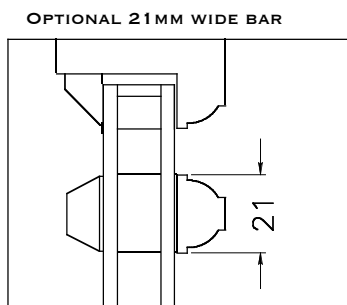
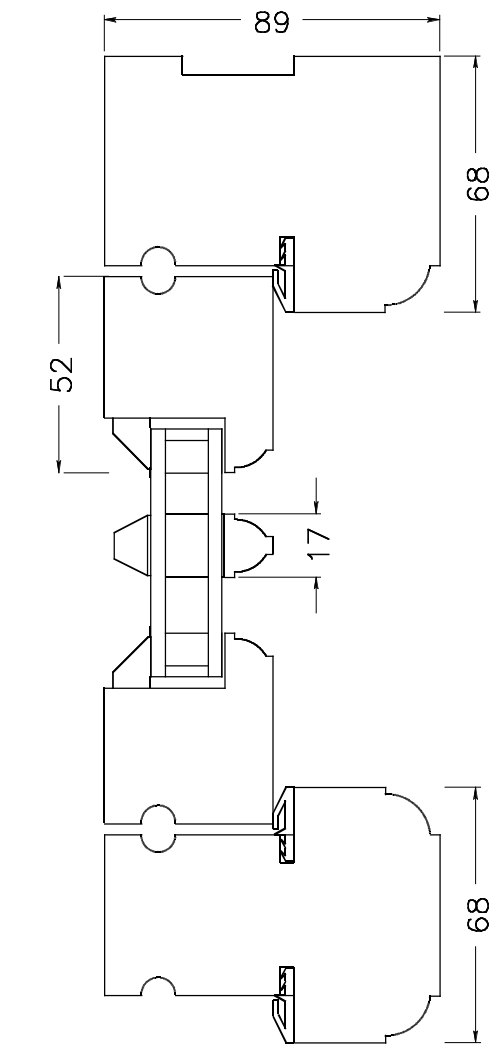
WILL COMPLY WITH PART L BUILDING REGULATIONS
ONLY WHEN USING ARGON GAS FILLED UNITS

SCALE 1:2

OVOLO MOULD AS STANDARD ON FRAME AND CASEMENTS

SOLID BRASS BUTT HINGES FITTED AS STANDARD ON OPENERS

OPTIONAL 4500MM² TRICKLE VENT



DRW REF No. 45C/89SF/20DG