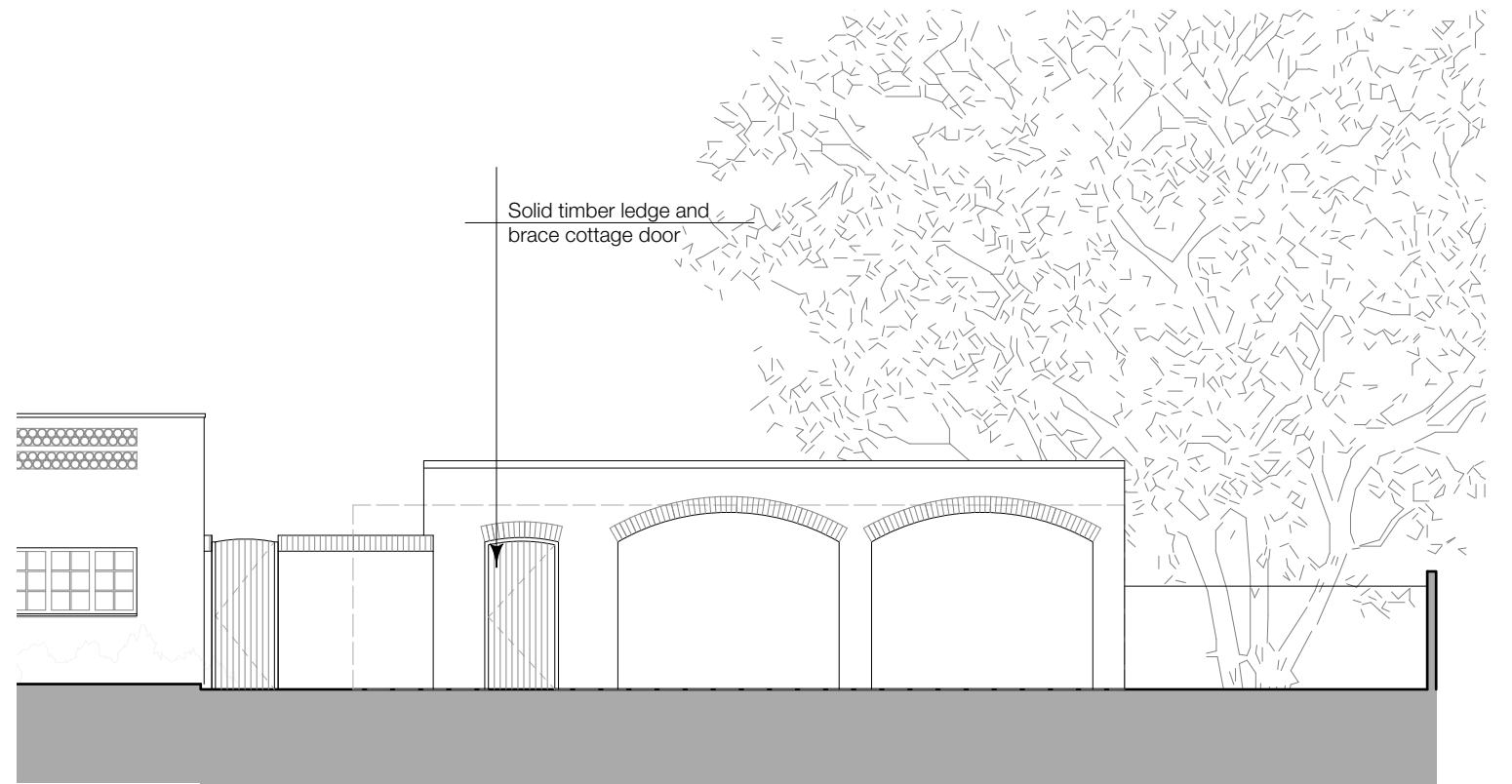
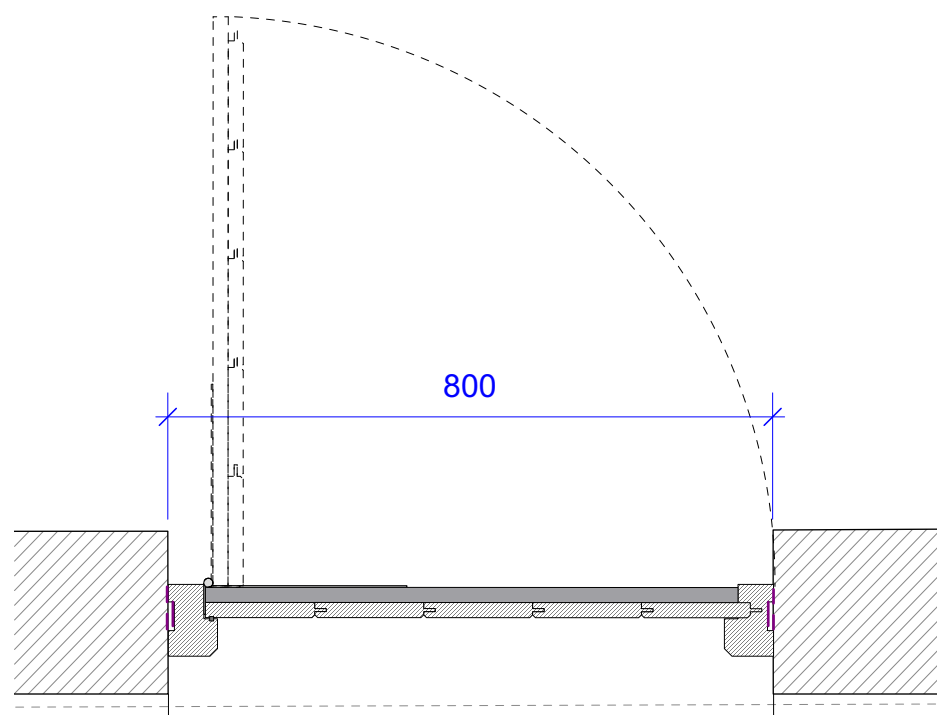


PROPOSED CAR PORT DOOR: JOINERY DETAIL 1:10



PROPOSED CAR PORT: NORTH ELEVATION 1:100



PROPOSED CAR PORT DOOR: JOINERY DETAIL PLAN 1:10

DO NOT SCALE FROM THIS DRAWING.
Scaling only for Local Authority purposes. Dimensions to be checked on site. All dimensions are in millimetres unless stated. Report all discrepancies.

This drawing and information displayed is the confidential property of The Goddard Partnership Limited and shall not be copied or used for any purpose without the written consent of the company.

© The Goddard Partnership Limited. All Rights Reserved

Revisions:



The Goddard Partnership 
Historic Buildings and Architectural Design Consultants

The Old Fire Station
Upper Basingwell Street
Bishop's Waltham
Hampshire
SO32 1PF

t: 01489 890629

e: office@thegoddardpartnership.com

w: www.thegoddardpartnership.com

Client	Mr & Mrs Shepherd
Project	Droxford Manor
Drawing	Proposed Joinery detail
Scale	-
Date	JAN 2023
Drawing No.	1145/E/036
Revision	P1