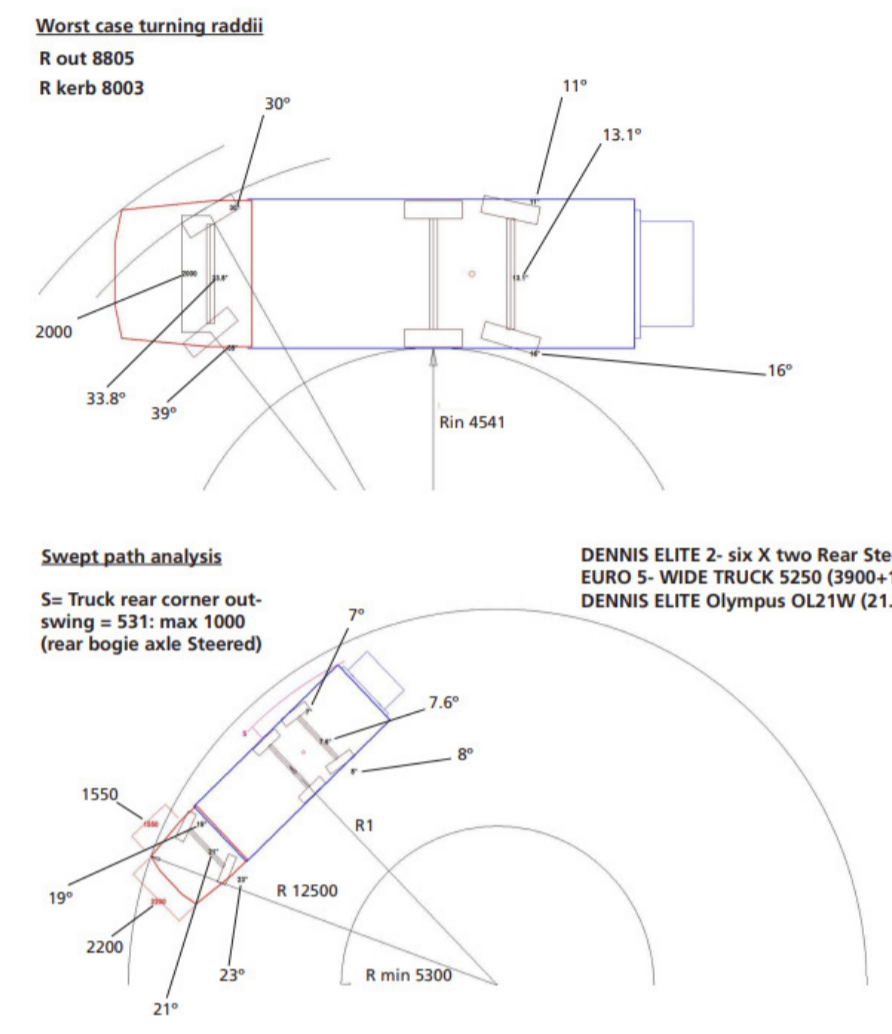
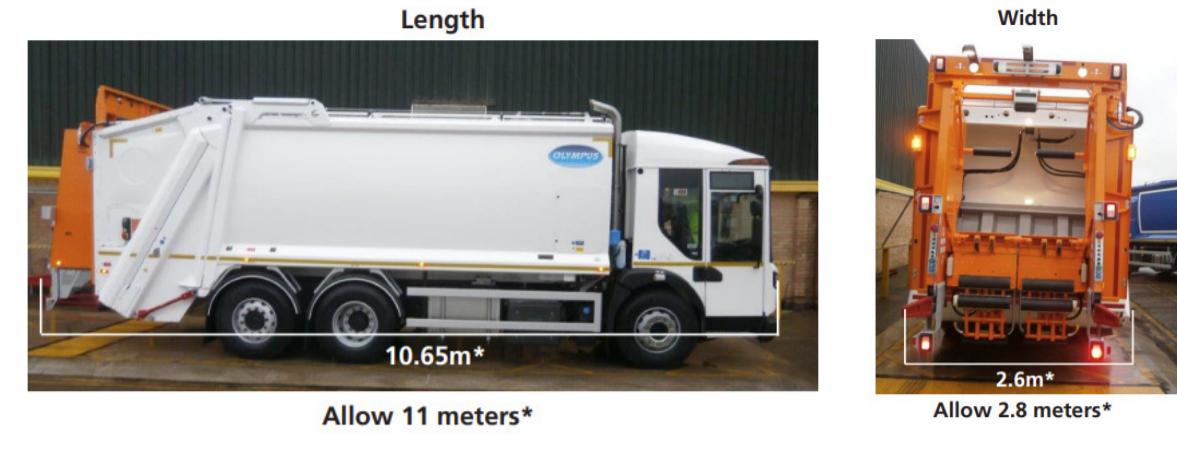
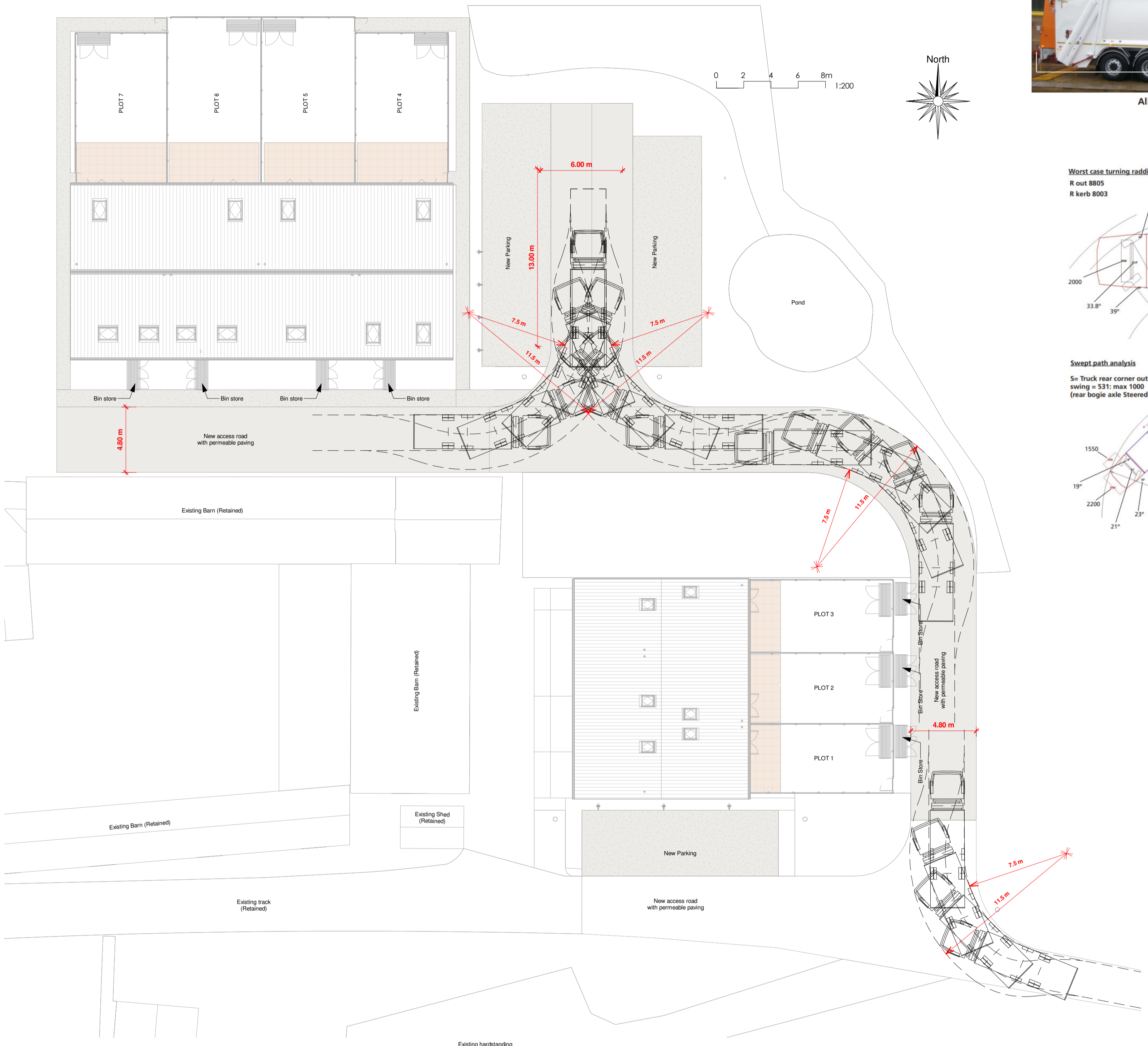
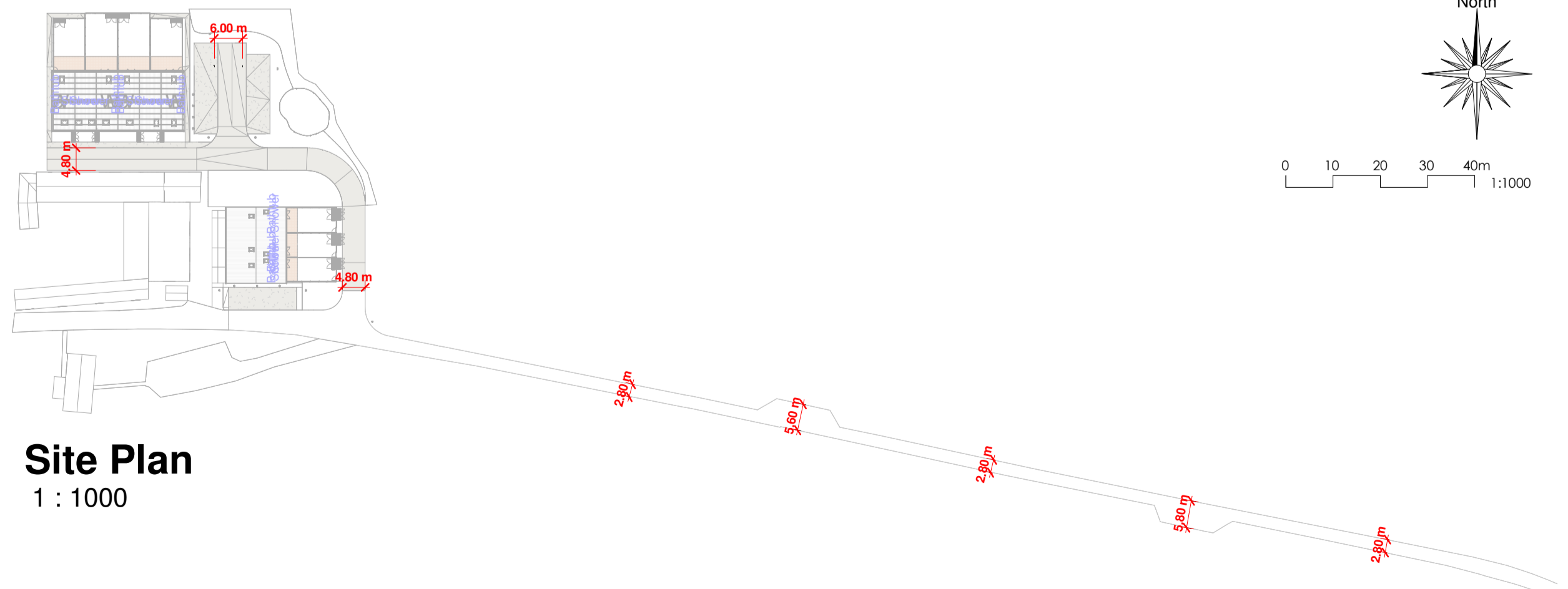


All dimensions and levels to be checked on site by contractor prior to preparation of shop drawings and commencement of work on site. Do not scale from this drawing or reproduce without consent.  
 This drawing and the design is the copyright and property of Aspect Property Consultants & Surveyors Ltd and may not be used in part or in whole without prior written consent.  
 This drawing is to be read in conjunction with all relevant consultants and/or specialist's drawings/documents and any discrepancies or variations are to notified to Aspect Property Consultants & Surveyors Ltd before the affected work commences.



**Swept Path**  
1 : 200



**Site Plan**  
1 : 1000

Rev	Description	Date
01	1579 amendments	02/02/2024

PROJECT: Barn conversion to create 7 x dwellings ADDRESS: Bardon Pige Farm, Wingate	CLIENT: CAC Property UK Developments Ltd	DATE: 02/02/2024	JOB NO: 11064	DRN BY: DW	CHK BY: DW
	DRAWING TITLE: Waste Collection Swept Analysis	SCALE AT A1: As indicated	DRWG NO: 308	REV: P1	

