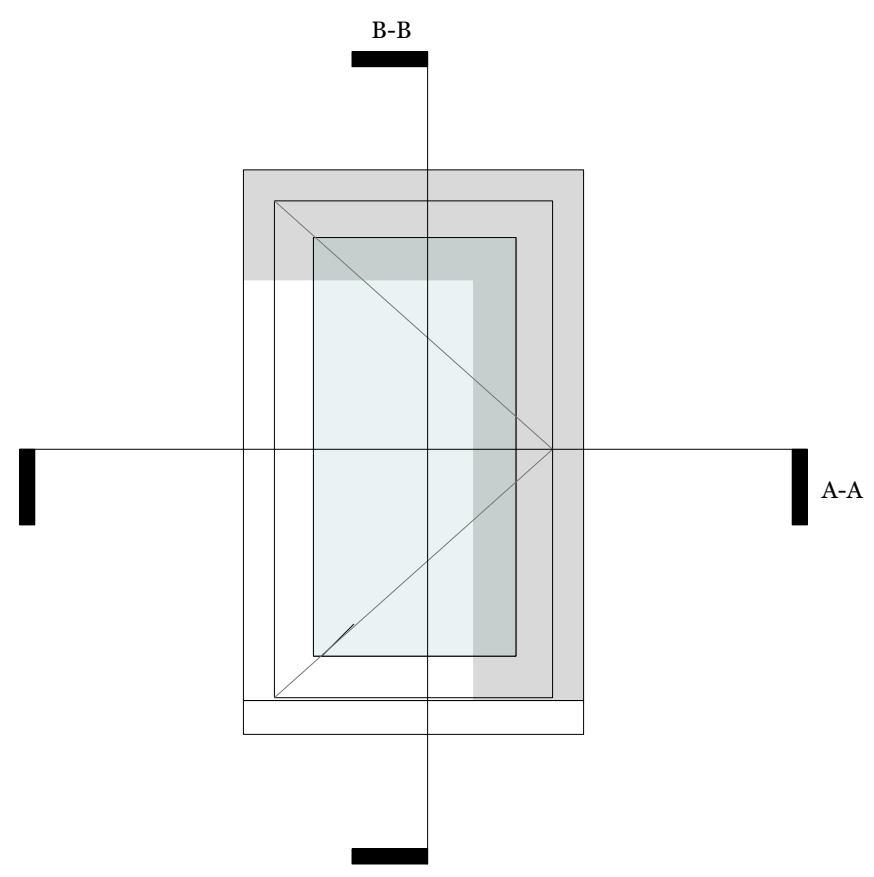
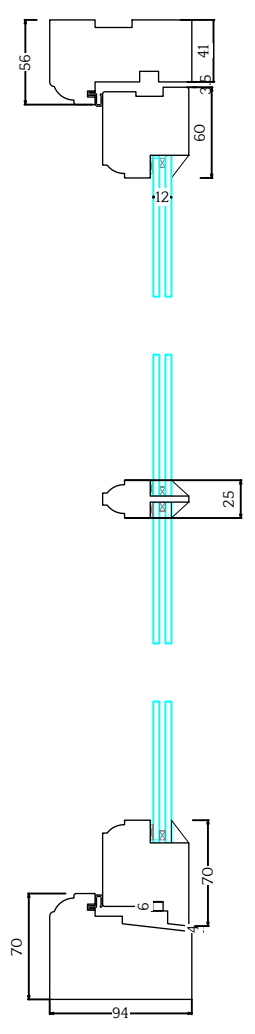


AA Horizontal Detail Section
Scale: 1:5



1 Typical casement window elevation
Scale: 1:10



BB Vertical Detail Section
Scale: 1:5

A	05/02/2024	Issued for planning	CN
REV	DATE	REVISION NOTE	BY



PROJECT LONDON

W WWW.PROJECTLONDON.CO.UK
E INFO@PROJECTLONDON.CO.UK P 020 3488 6982

STATUS: **PLANNING**
Dimensions stated are in millimetres unless specifically noted otherwise. Do not rely upon sizes scaled directly from printed drawings. Contractor to ensure full size colour printed copies of this drawing are made available on site and to all relevant subcontractors as required. Drawing prepared solely for the use of the client and is not to be used by any third party without permission. Where any drawing is to be read in conjunction with another, including specialists, the two drawings shall be cross-checked and any discrepancies reported to the architect before the work is put in hand.

ORIGINAL SHEET SIZE
ISO A3

PROJECT ADDRESS
Project Montagu
Flat 2, 48 Montagu Square, London, W1H 2LW

DRAWING TITLE
Typical Casement Window Detail

SCALE	DATE CREATED	DRAWN	CHKD
As Noted	05/10/2023	CN	KM
PROJECT NUMBER	DRAWING NUMBER	REVISION	
2309	02-11	A	