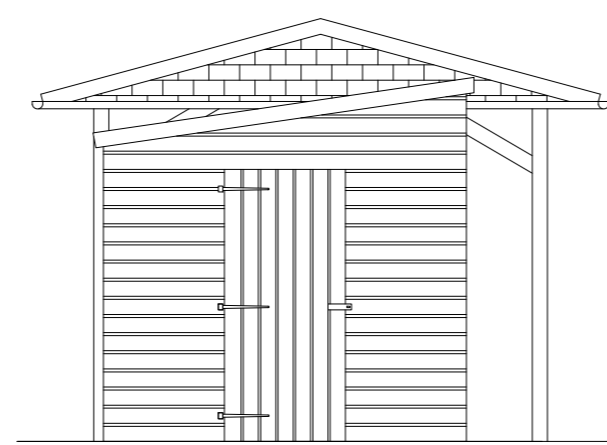
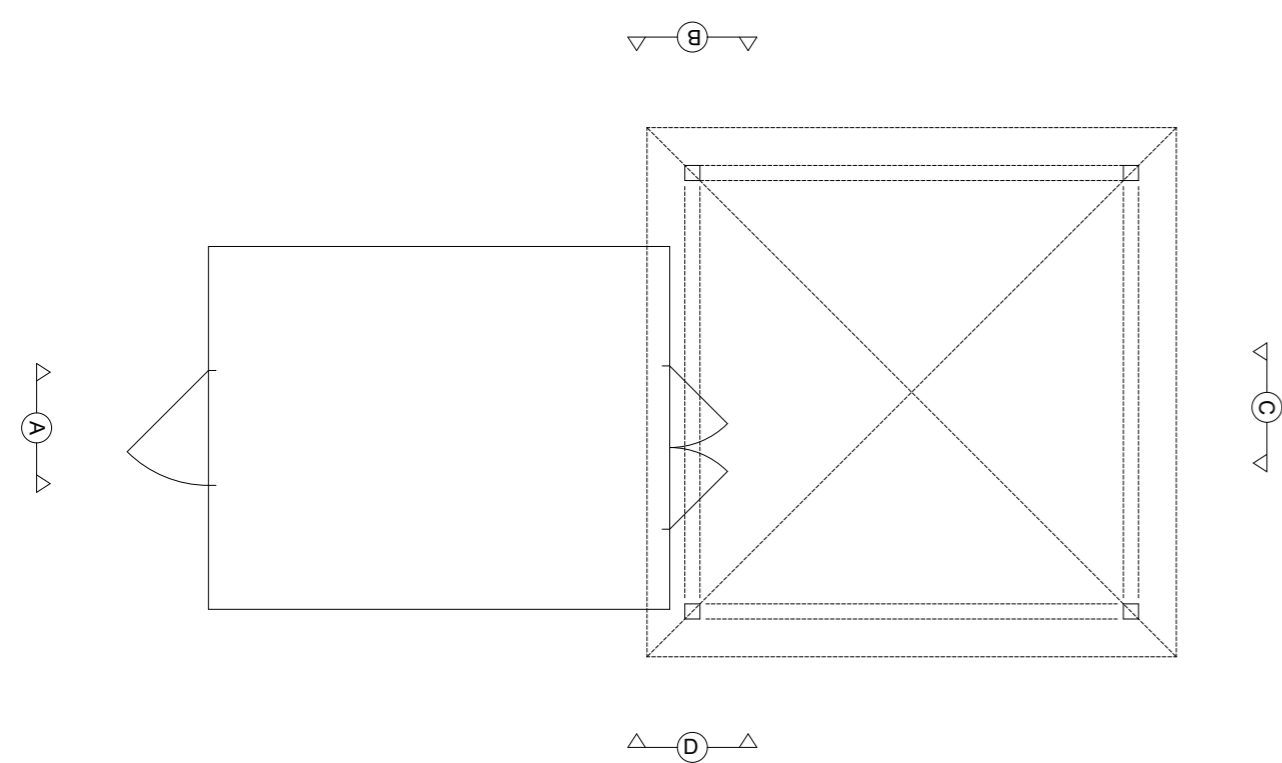
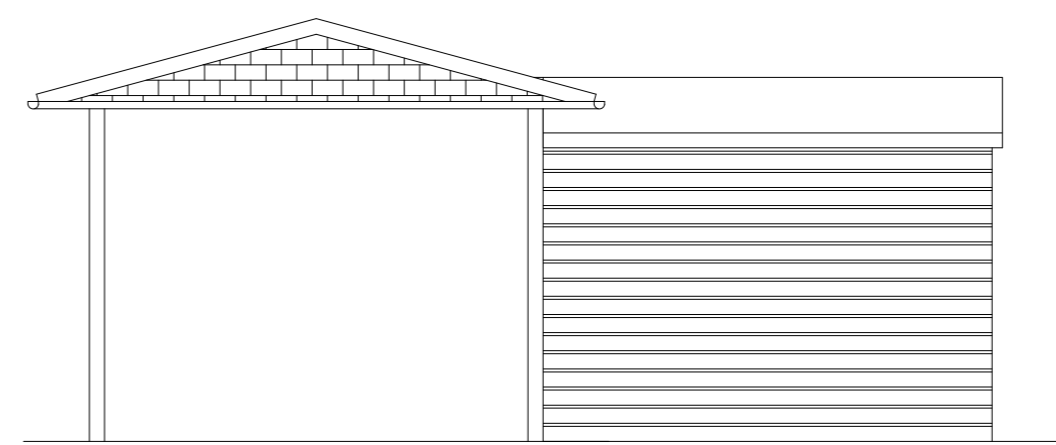


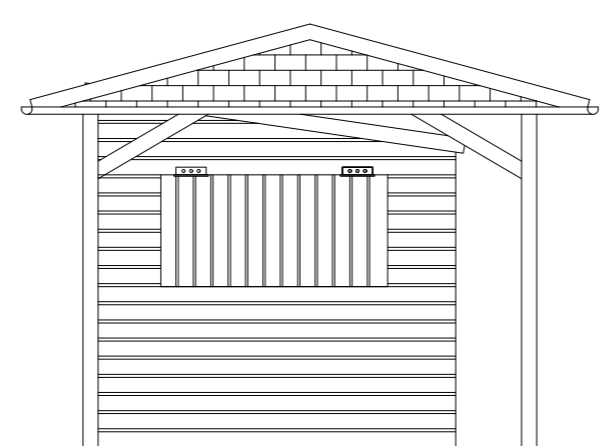
Contractors responsibility to check all site dimensions & levels prior to commencing works.  
 Contractor to comply in all respects with current building regulations & guidelines whether specified on this drawing or not.  
 The drawing must be read & checked against any other specialist drawings provided by the company or by consultants.  
 This drawing and the works depicted are the copyright of the company & may not be replicated without written permission.



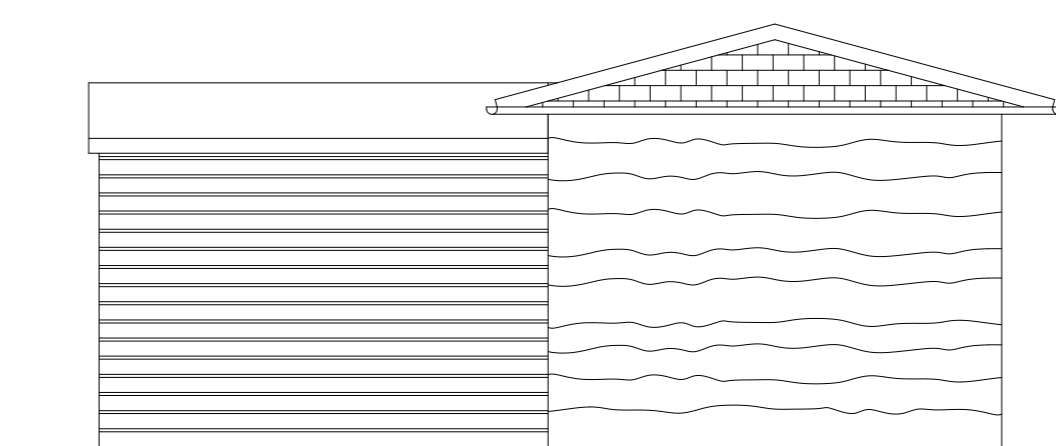
**(A) SOUTH ELEVATION**




**(B) EAST ELEVATION**



**(C) NORTH ELEVATION**



**(D) WEST ELEVATION**

REV	DETAILS	BY
		
PROJECT Kingsbridge Riverside, Bourton On the Water, GL54 2BS		
TITLE Existing Elevations		
SCALE 1:50 @ A2		DATE FEB 2024
DRAWN BY AF	CHECKED BY -	DRAWING No. 06/02/91373/EX/ELE
MARSTON'S PLC ST JOHNS HOUSE ST JOHNS SQUARE WOLVERHAMPTON WV2 4BH TEL:01902 907250		