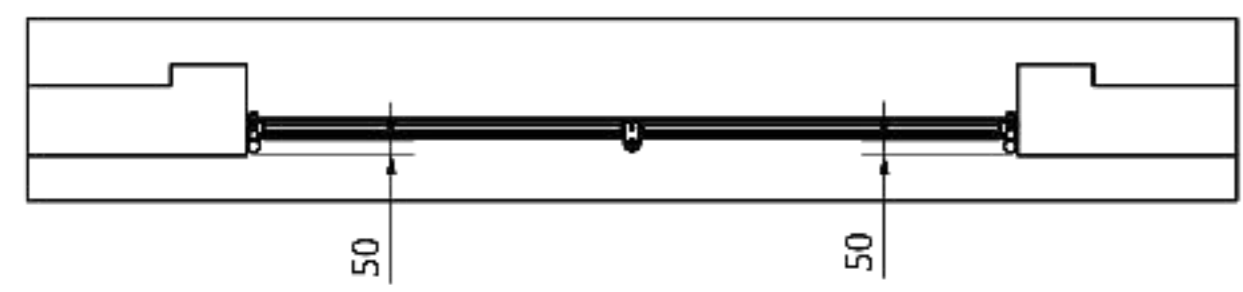
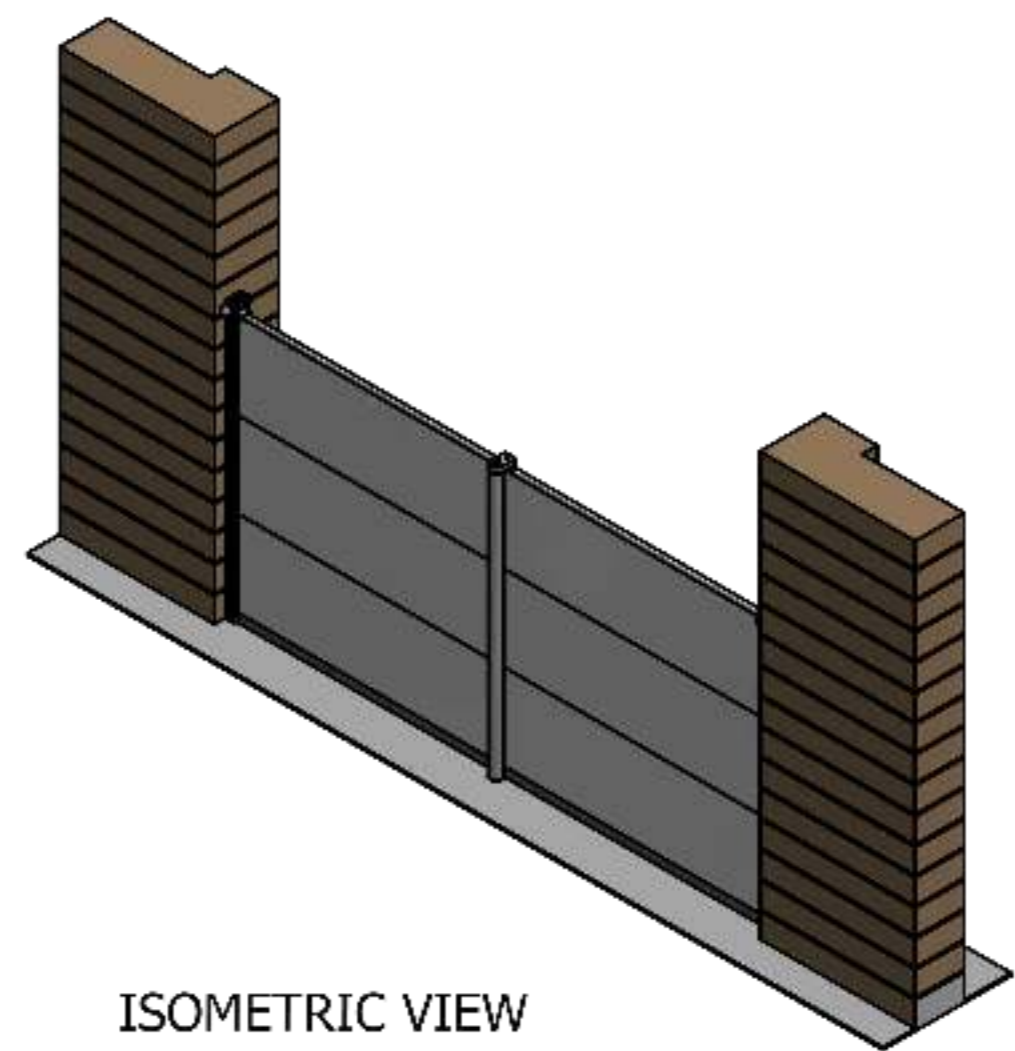


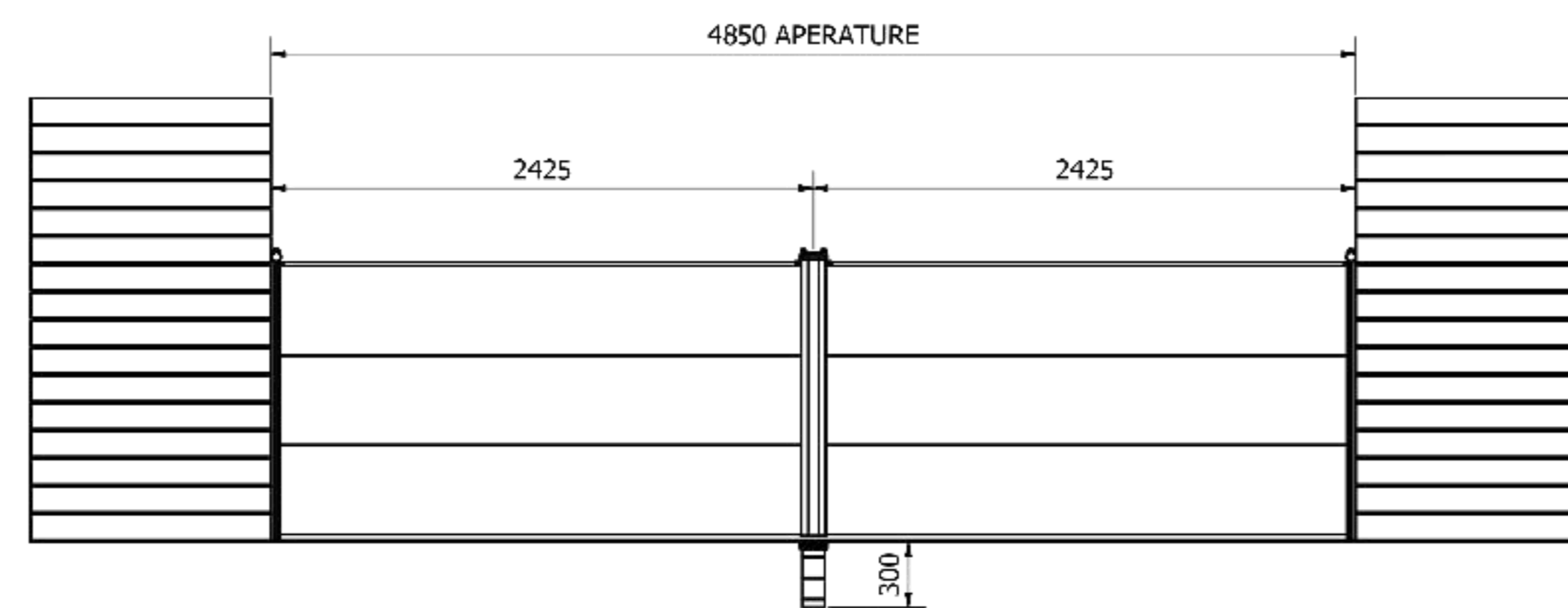
REVEAL FIXING WITH COMPRESSION POST



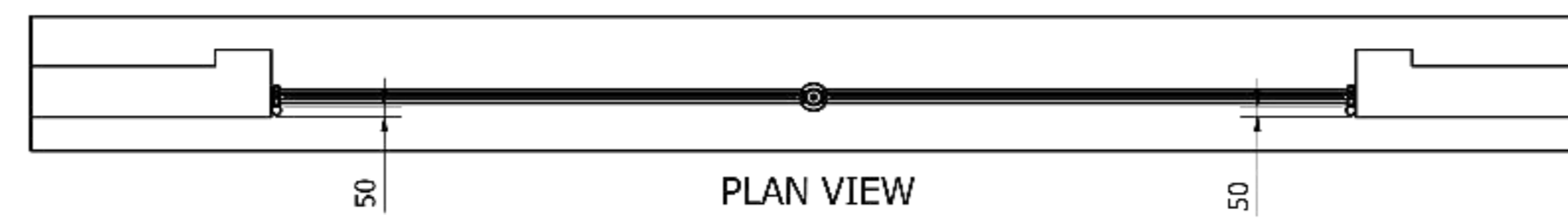
PLAN VIEW



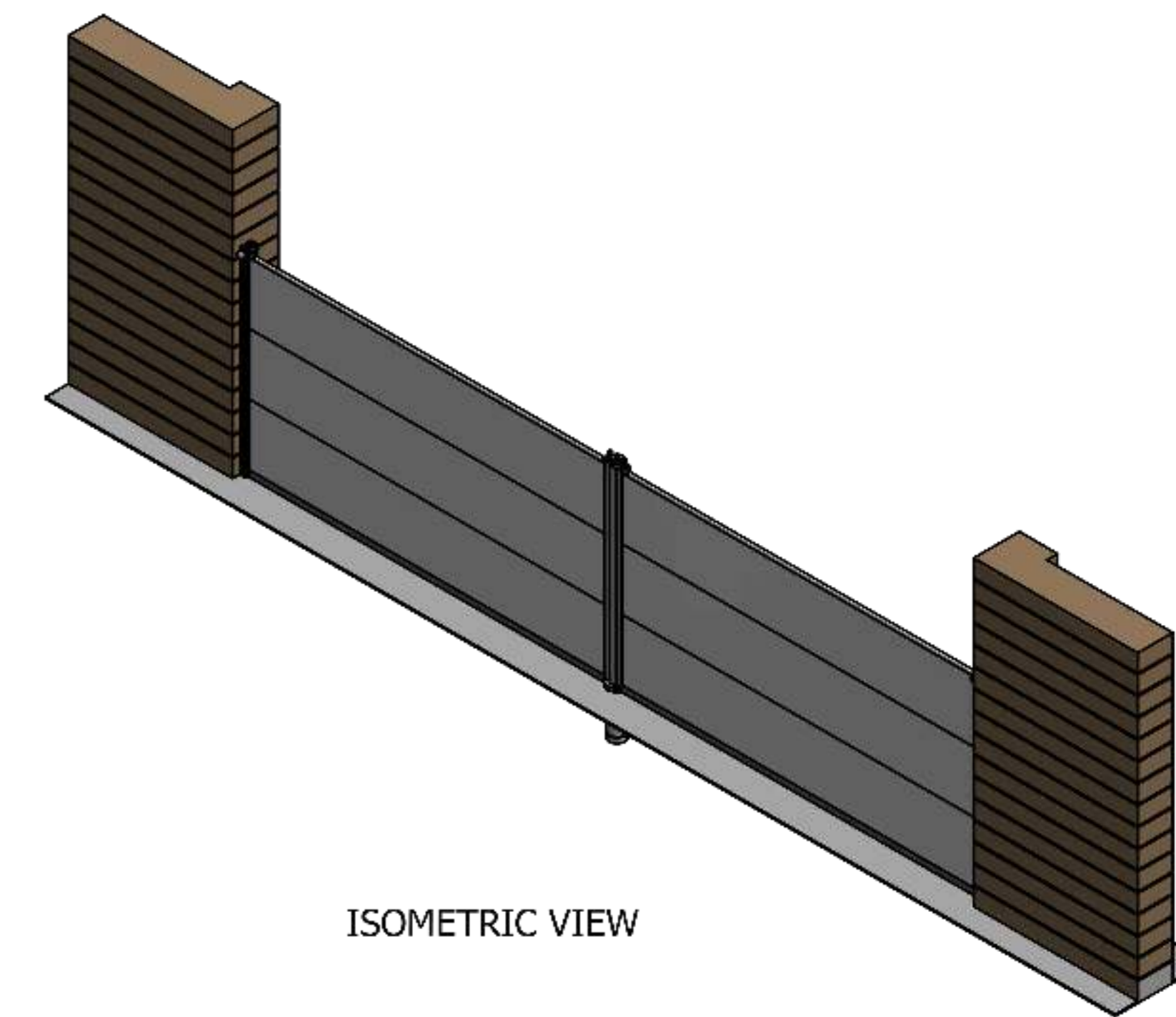
ISOMETRIC VIEW



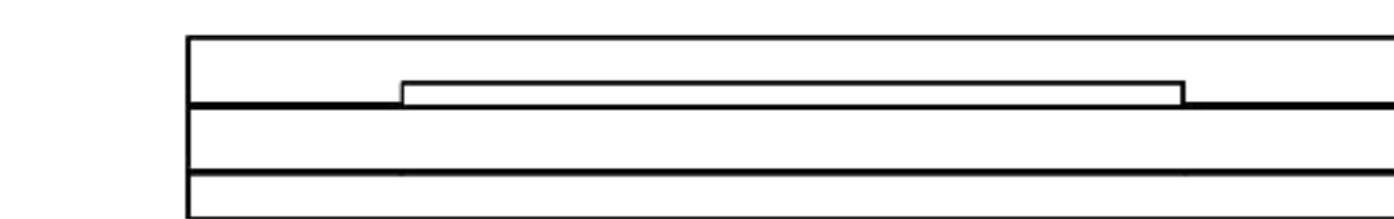
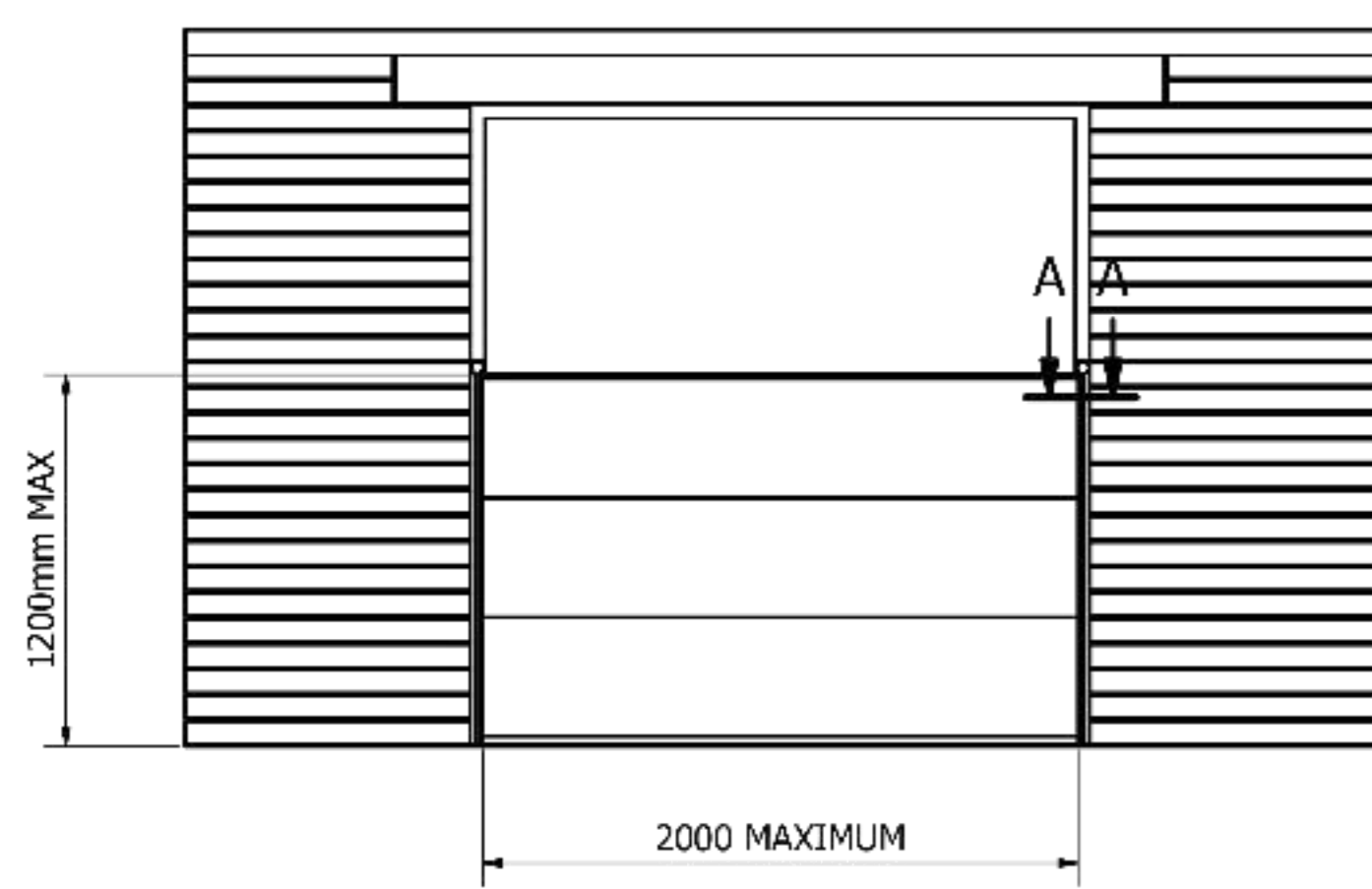
REVEAL FIXING WITH DEMOUNTABLE POST



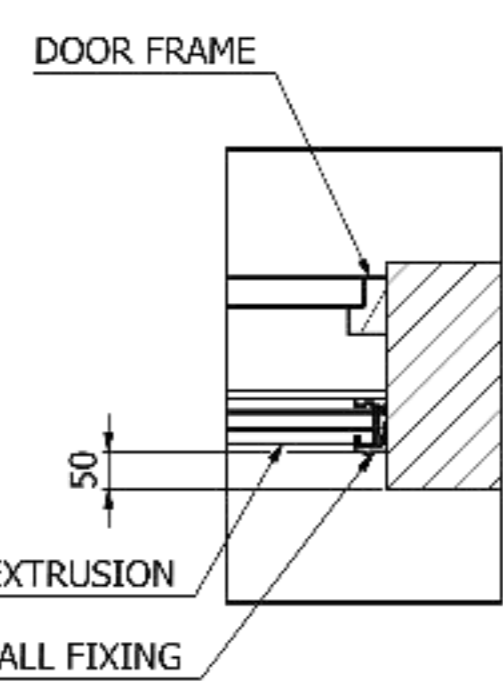
PLAN VIEW



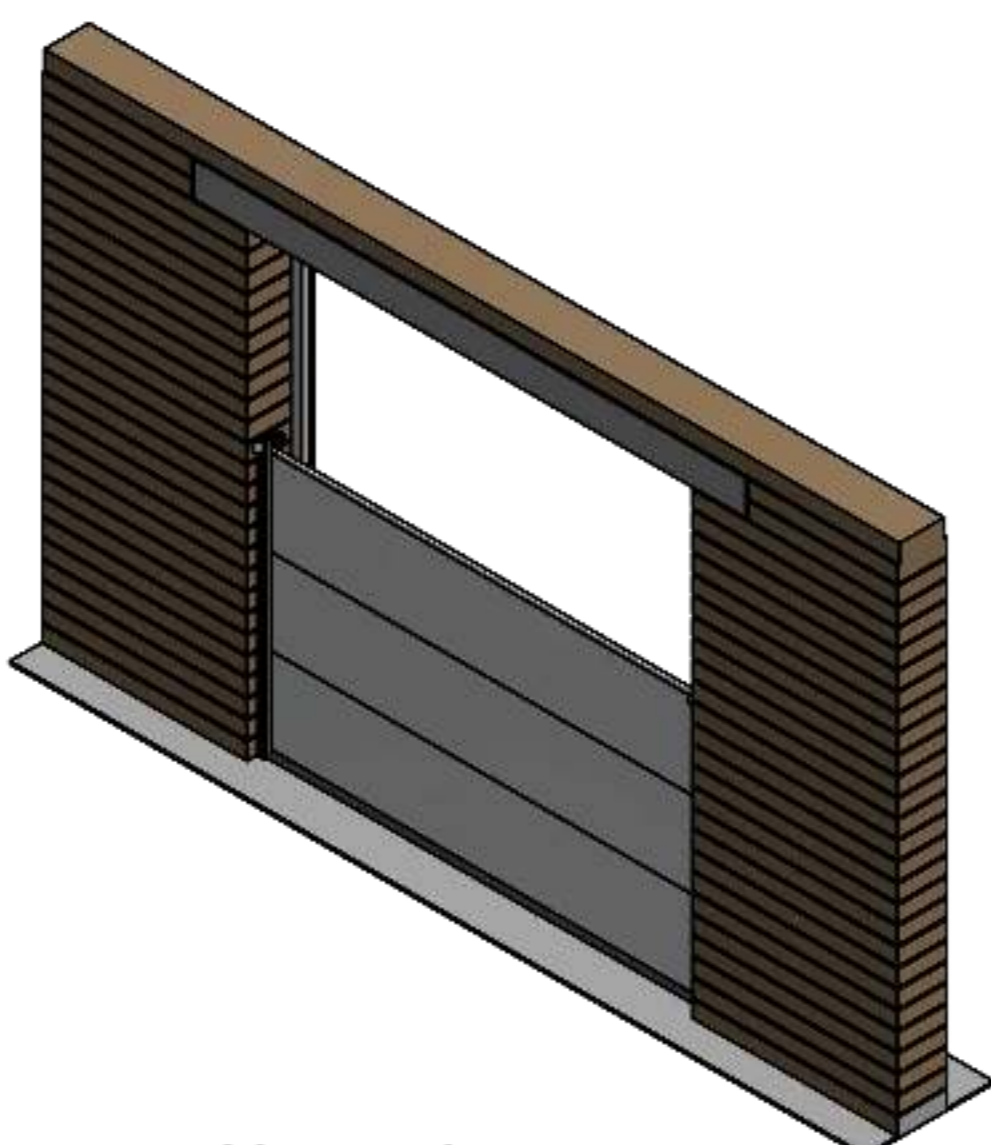
ISOMETRIC VIEW



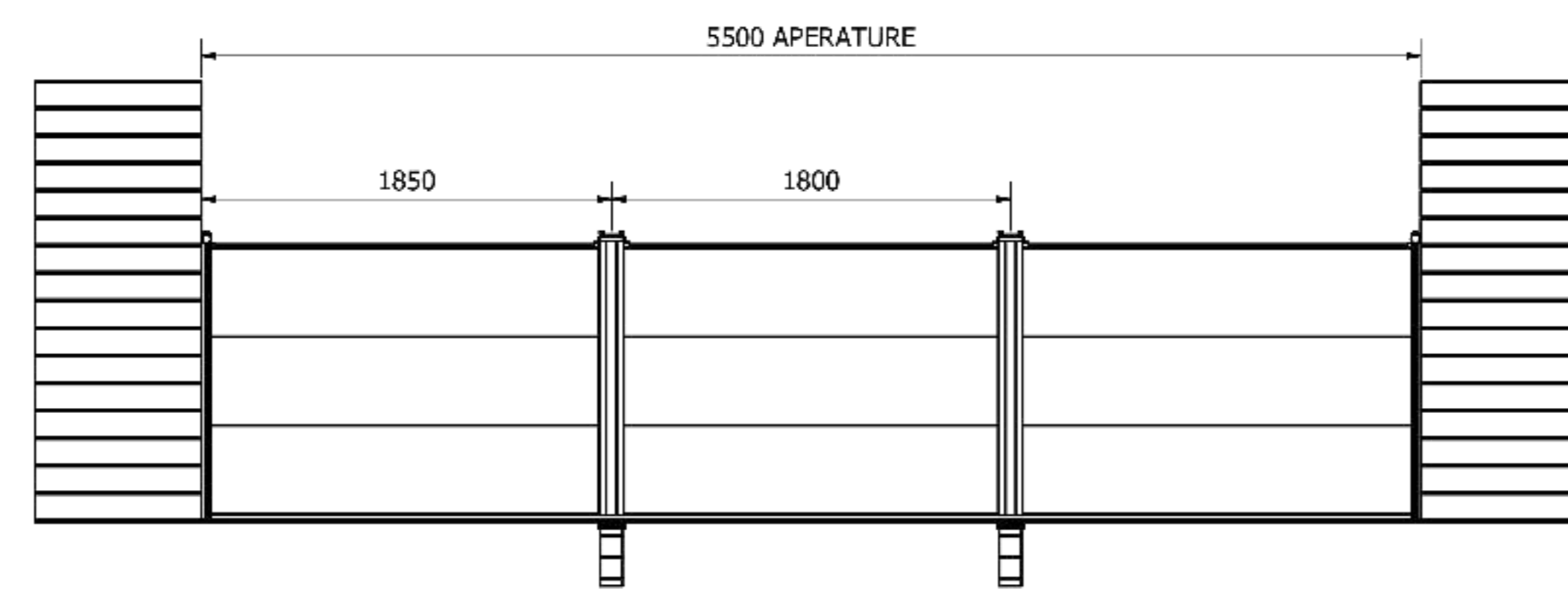
PLAN VIEW



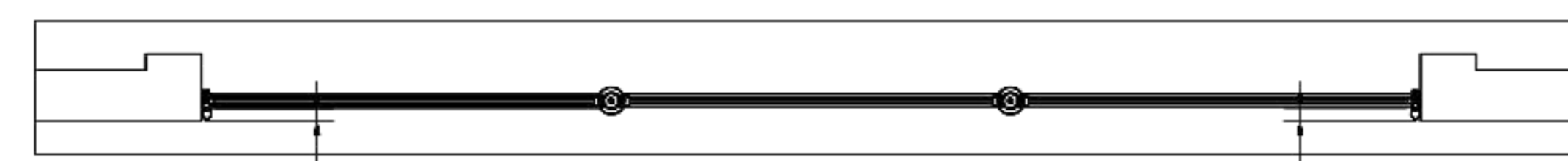
SECTION A-A
1:10



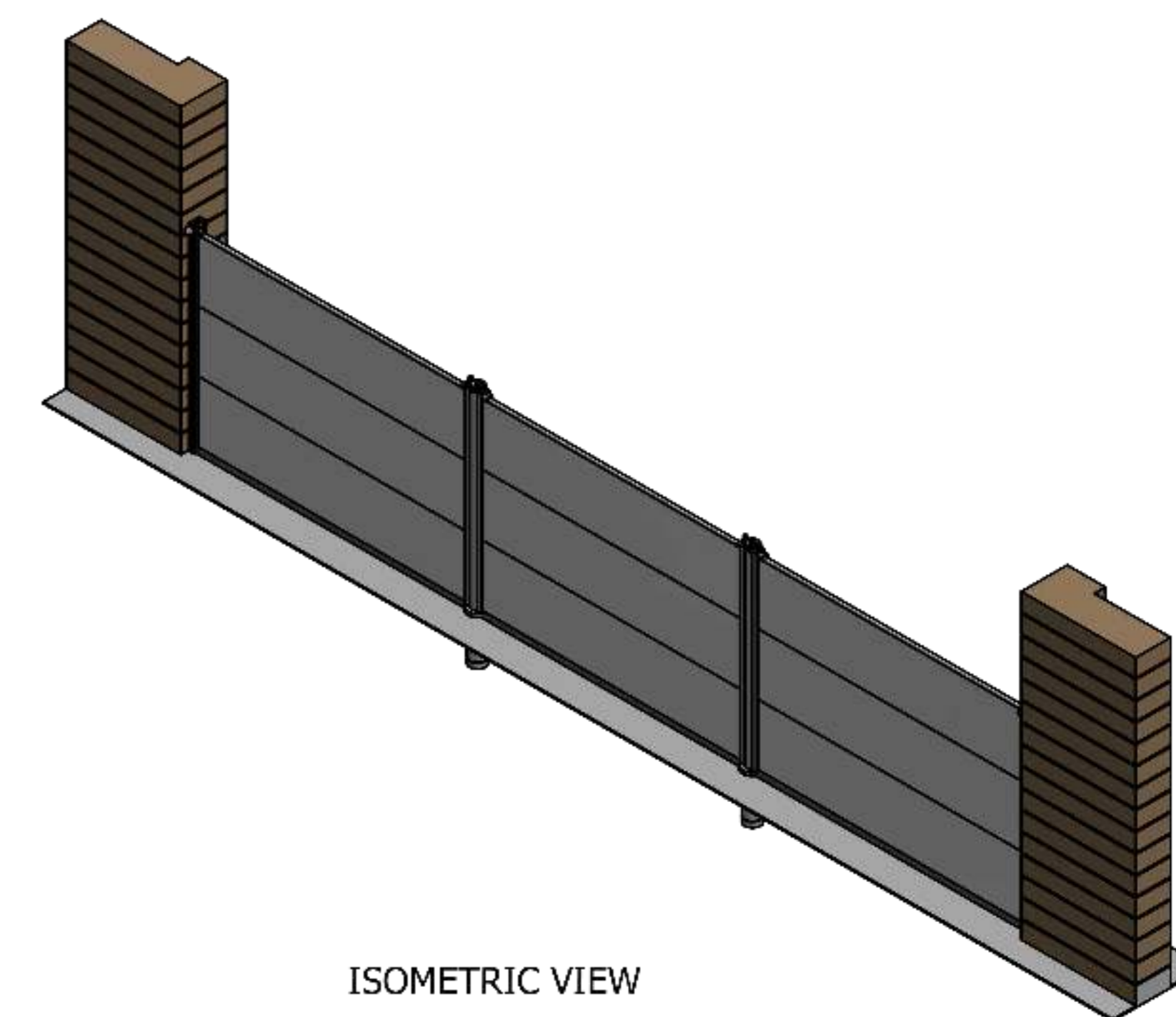
ISOMETRIC VIEW



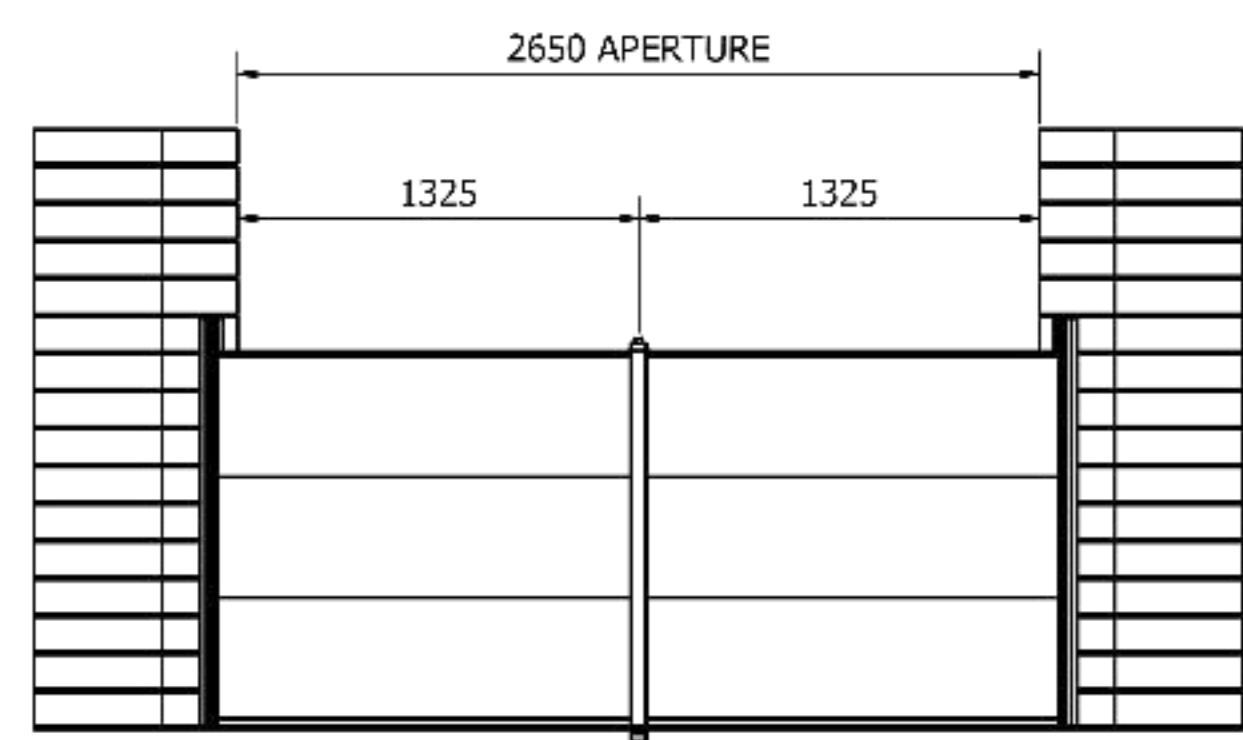
REVEAL FIXING WITH MULTIPLE DEMOUNTABLE POST



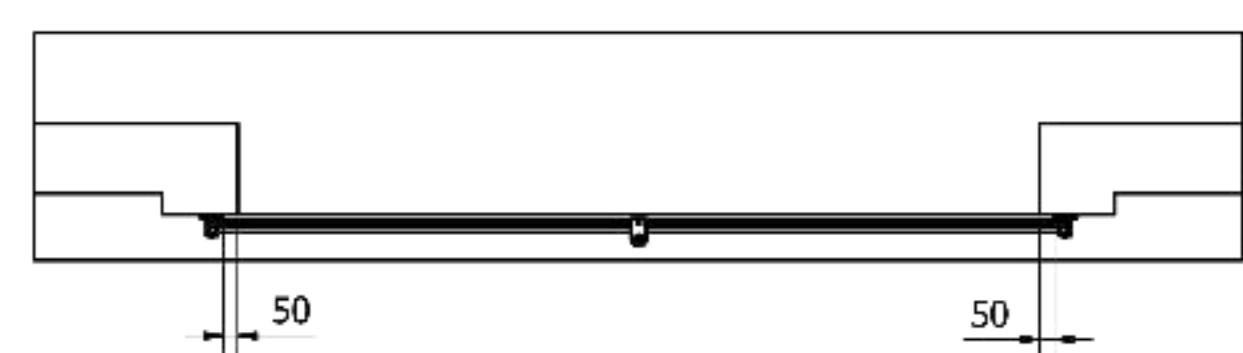
PLAN VIEW



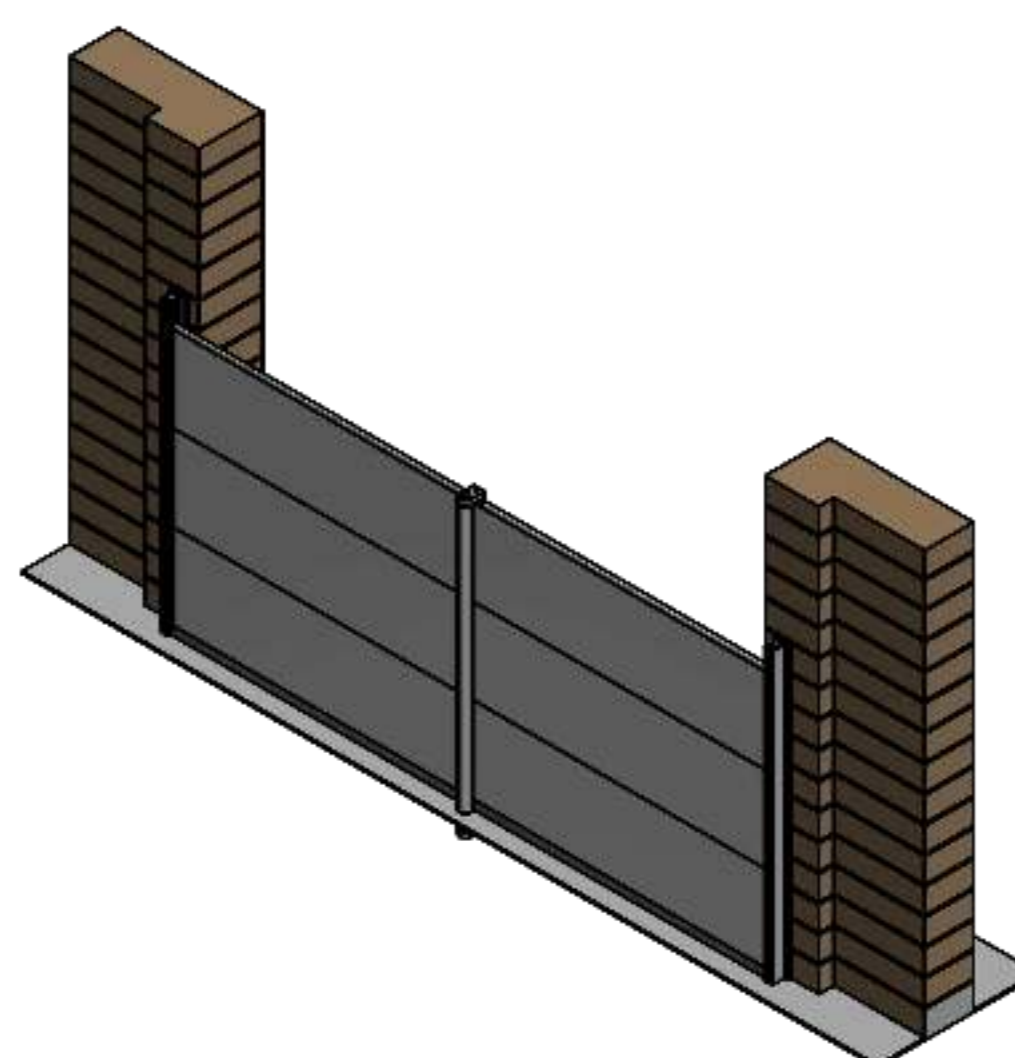
ISOMETRIC VIEW



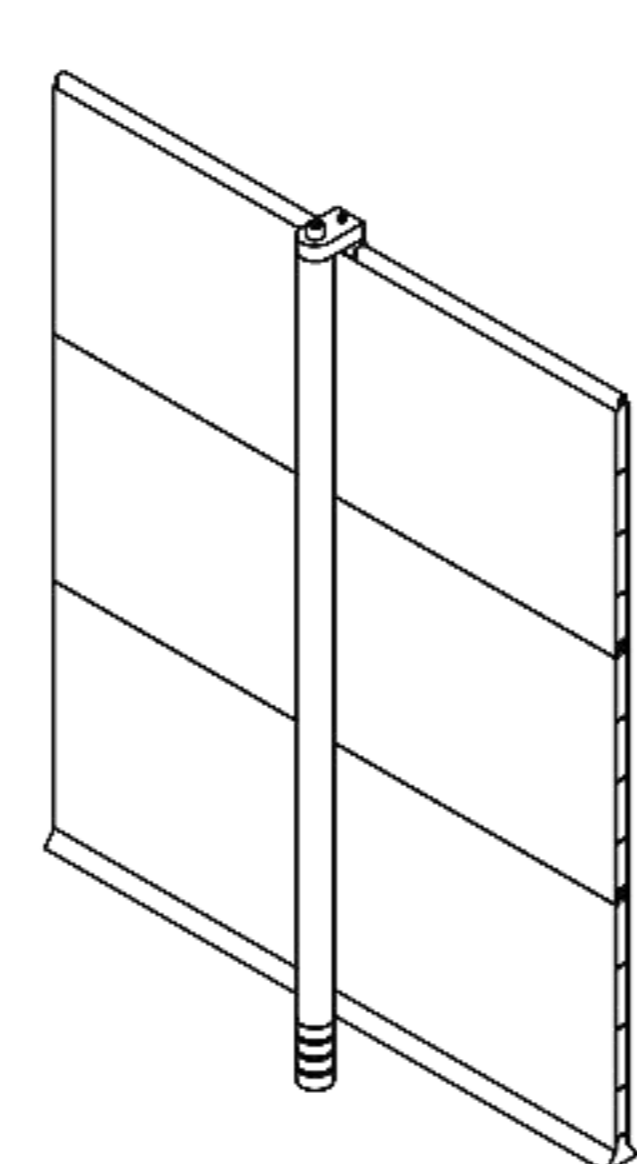
FACE FIXING WITH COMPRESSION POST



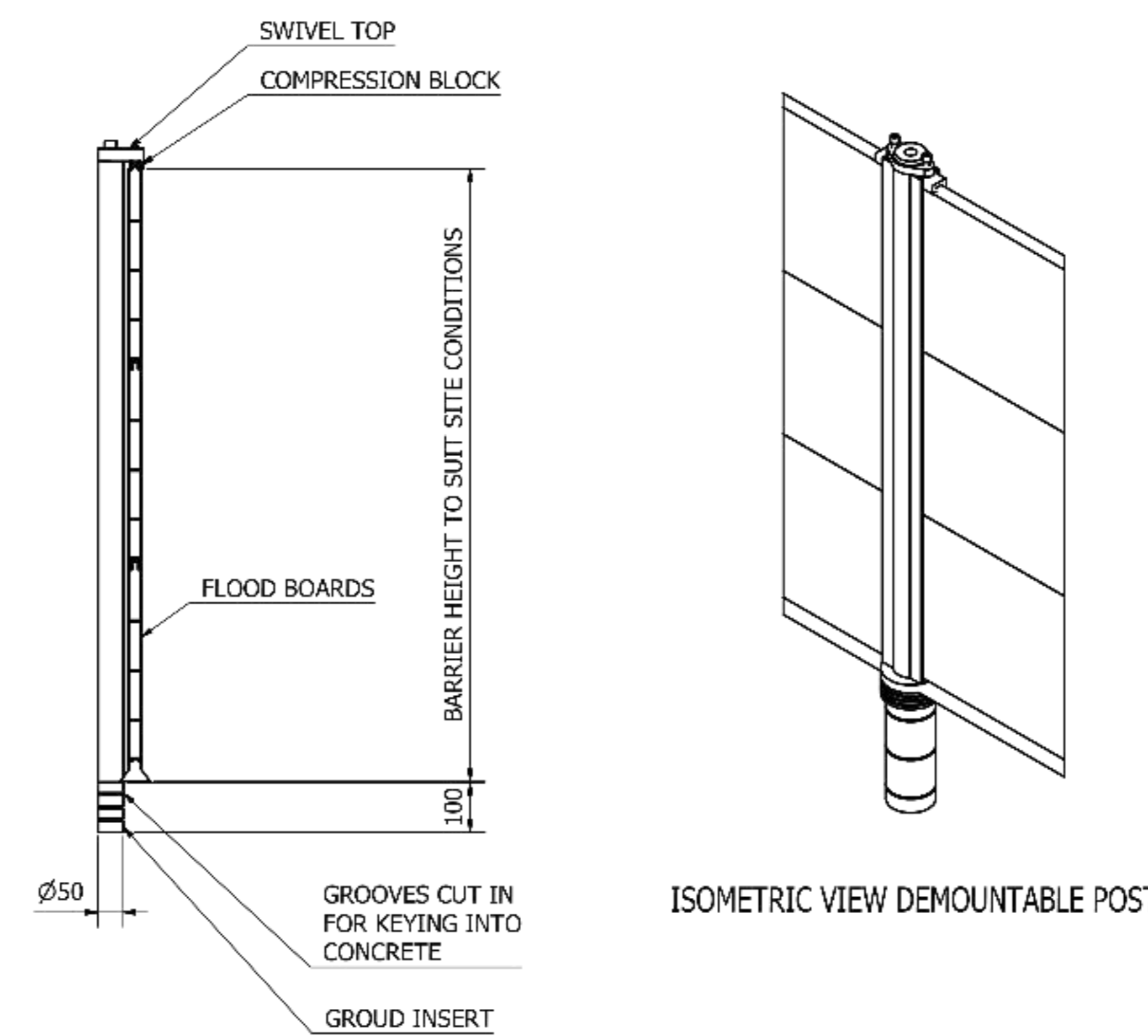
PLAN VIEW



ISOMETRIC VIEW

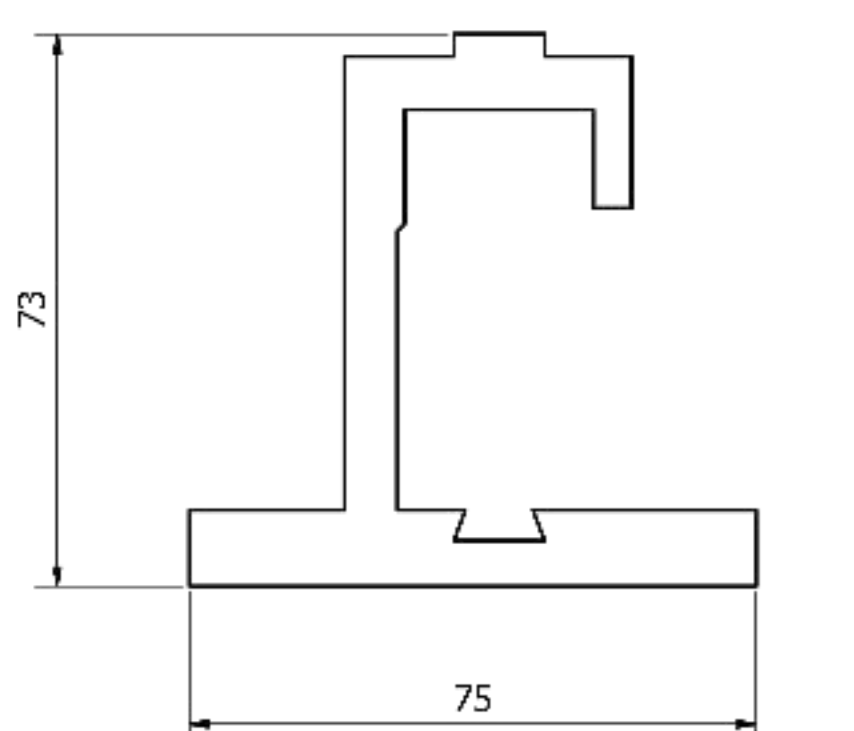


ISOMETRIC VIEW OF COMPRESSION POST

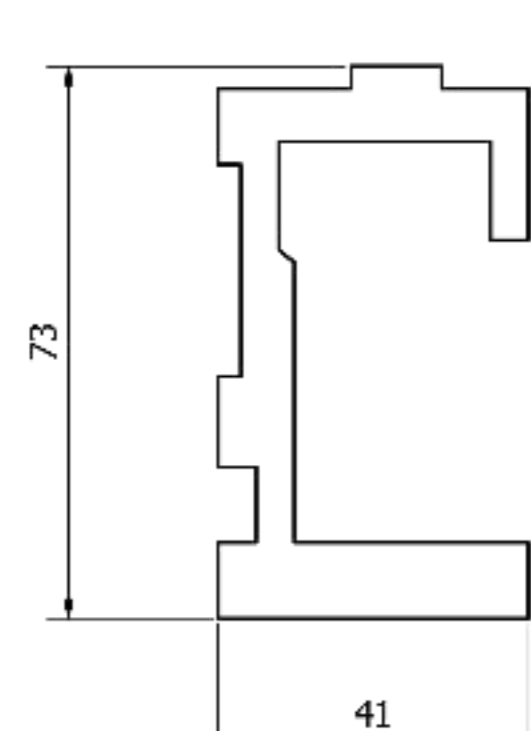


ARRANGEMENT OF COMPRESSION POST

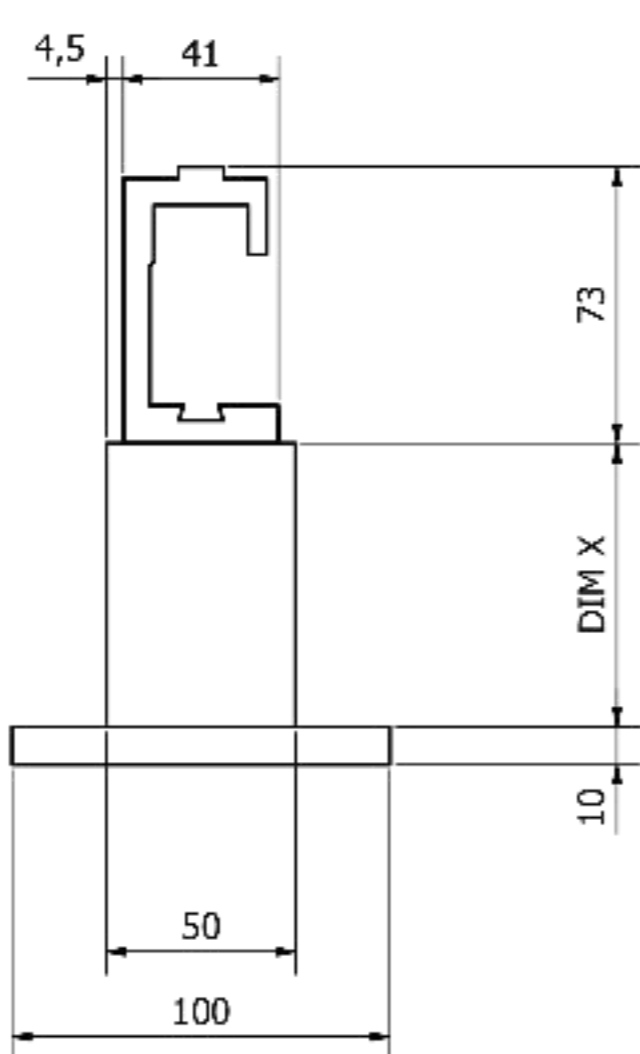
ISOMETRIC VIEW DEMOUNTABLE POST



STANDARD FACE FIXING PROFILE

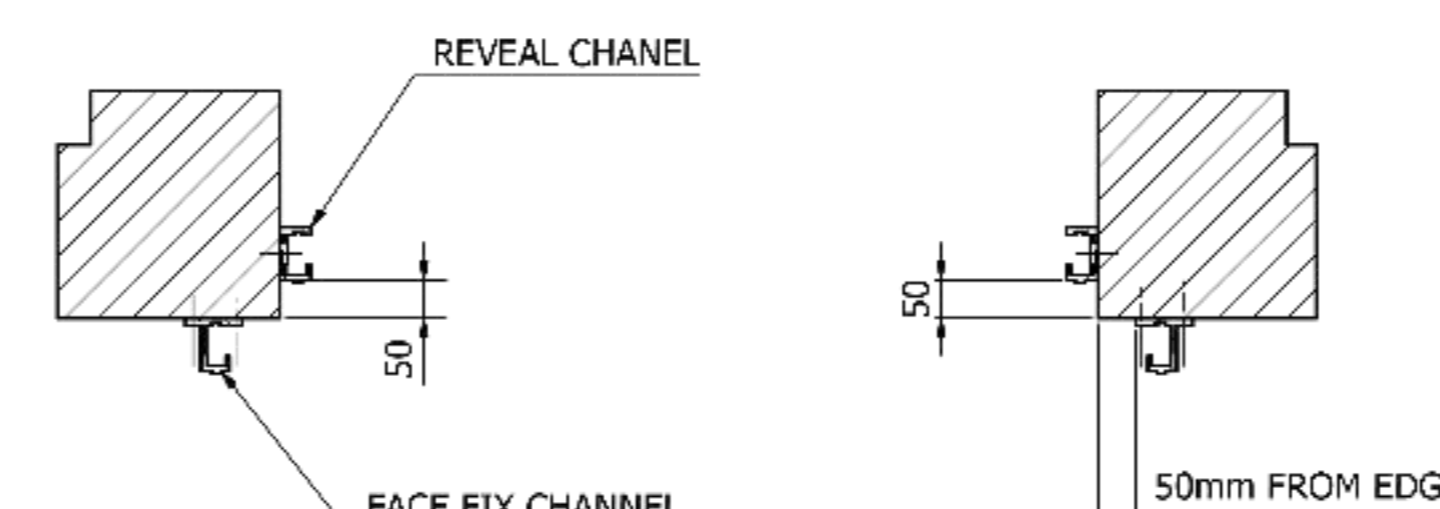


STANDARD REVEAL FIXING PROFILE



PACKING AVAILABLE FOR FACE FIXING

| PACKING SIZES | |
|---------------|--|
| DIM X | |
| 25mm | |
| 50mm | |
| 75mm | |
| 100mm | |



REVEAL & FACE FIX CHANNELS



| | | | |
|-----------------------|------------|----------------------------|-------|
| Project No. | 2013/0842A | Scale | 1:10 |
| Client | NWA | Revision | 16953 |
| NWA - US 400 SYS - FV | | FLOOD BARRIER ARRANGEMENTS | |