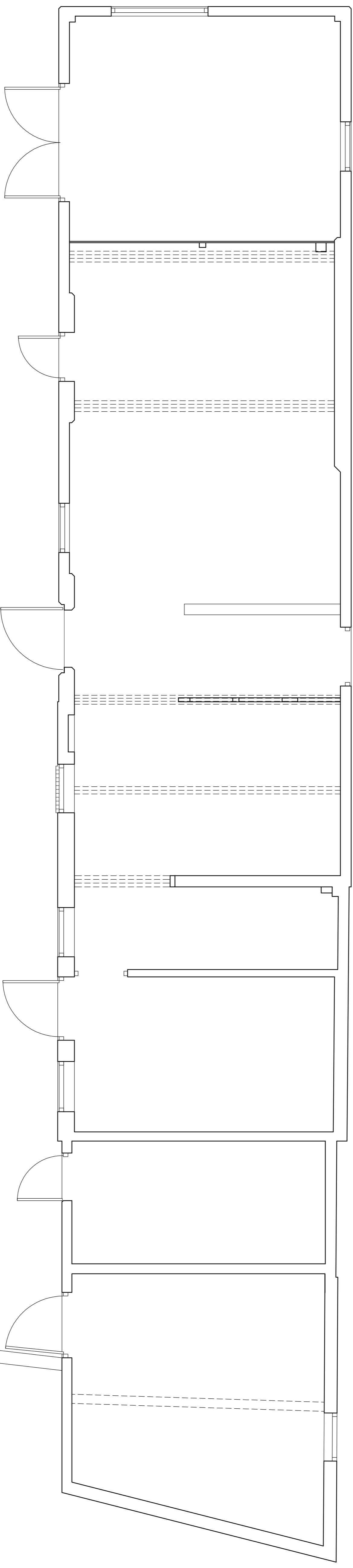
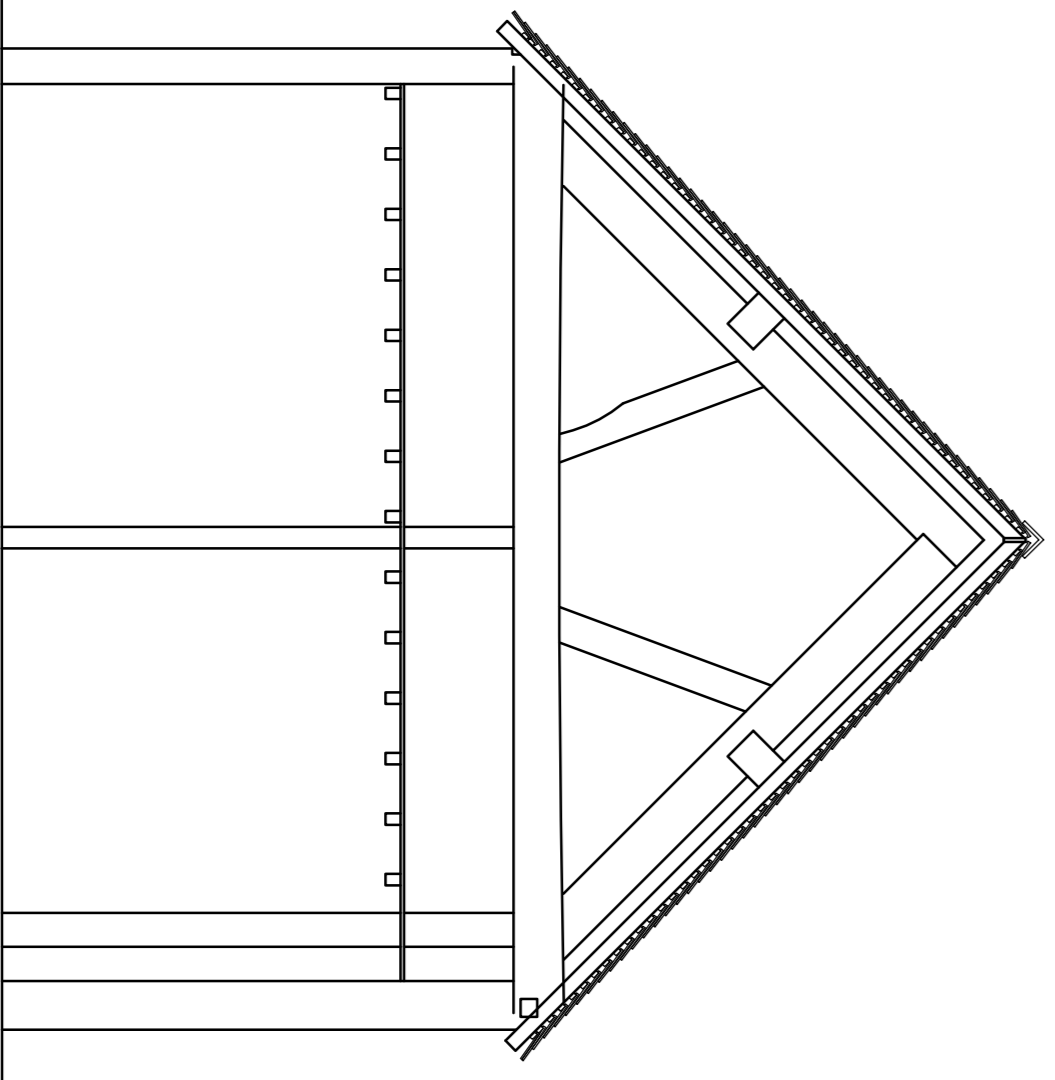


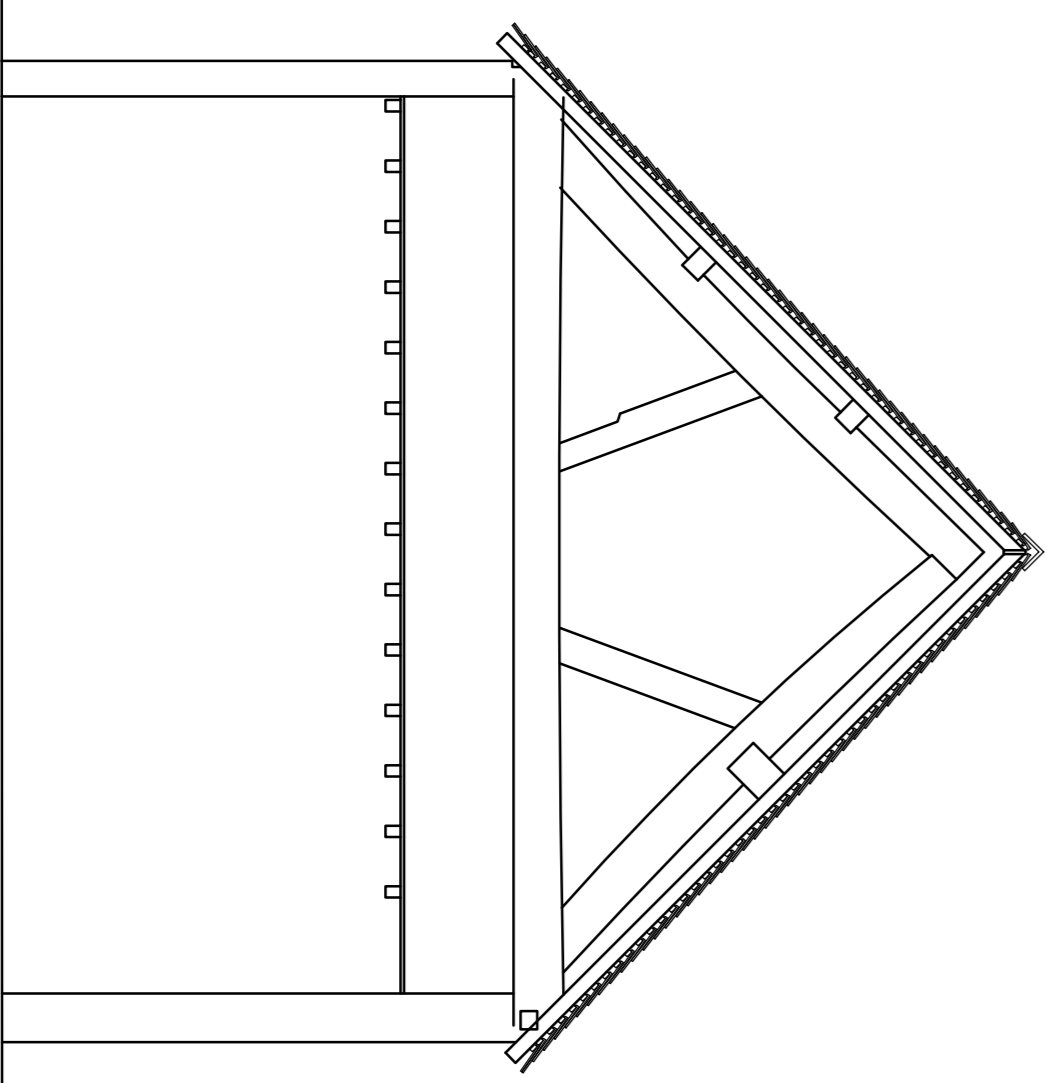
First Floor Plan



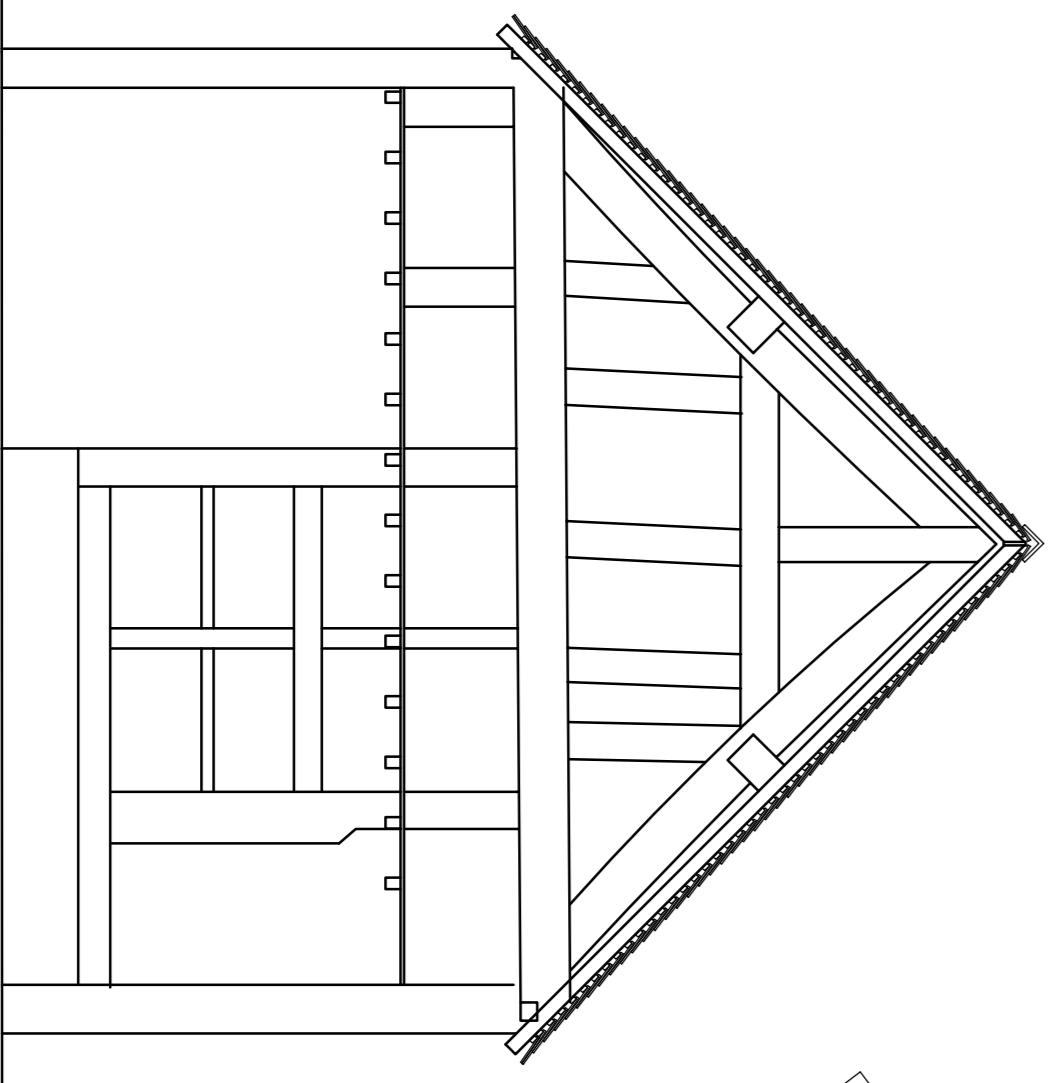
Ground Floor Plan



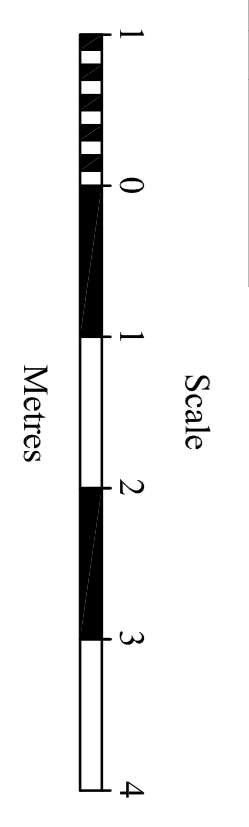
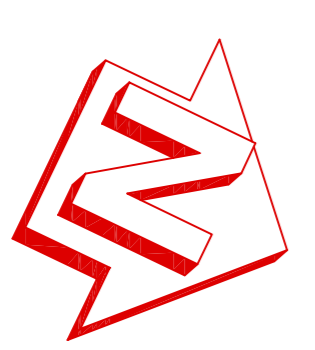
Truss A



Truss B



Truss C



Balfours
PROPERTY PROFESSIONALS

New Windsor House
Oxon Business Park
Blicken Heath
Shrewsbury
SY3 9HU
Telephone: 01743 847100
Fax: 01743 842000
Web: www.balfours.co.uk

PRESTON FARM
PRESTON BROCKHUUST
SHEREWSBURY
**Barn A - Survey Drawing
Floor Plan**

| DATE | DRAWN BY | CHECKED | SCALE |
|-------------|----------|------------|-------------------------|
| JULY 2018 | SRB | | 1:50 - A1 1:100 - A3 |
| DRAWING NO. | | REVISIONS | |
| 1935 / 02 A | | 05-08-2020 | |