

Designed, Extruded & Fabricated In The UK - Specifically For the UK Climate



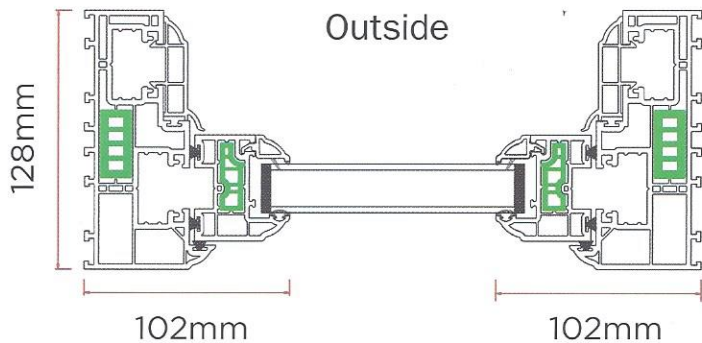
EcoSlide uPVC sash windows are designed, extruded and fabricated in the UK specifically for the UK climate. Our production facilities have the capacity to manufacture over 1500 sash windows a week. Since production of Ecoslide sash windows began in 2009, nearly 100,000 sash windows have already been installed across Britain.

Every Ecoslide uPVC sash window is manufactured at our purpose designed state of the art factory in Swansea, South Wales, to fit and perform flawlessly.

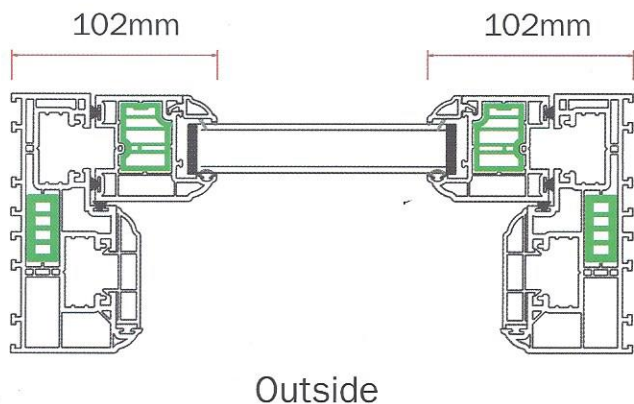
Our profile is extruded in our own UK factory from a 100% virgin, lead free compound. The bright white high gloss profile is manufactured in accordance with current British quality standards.

EcoSlide Profile Sections

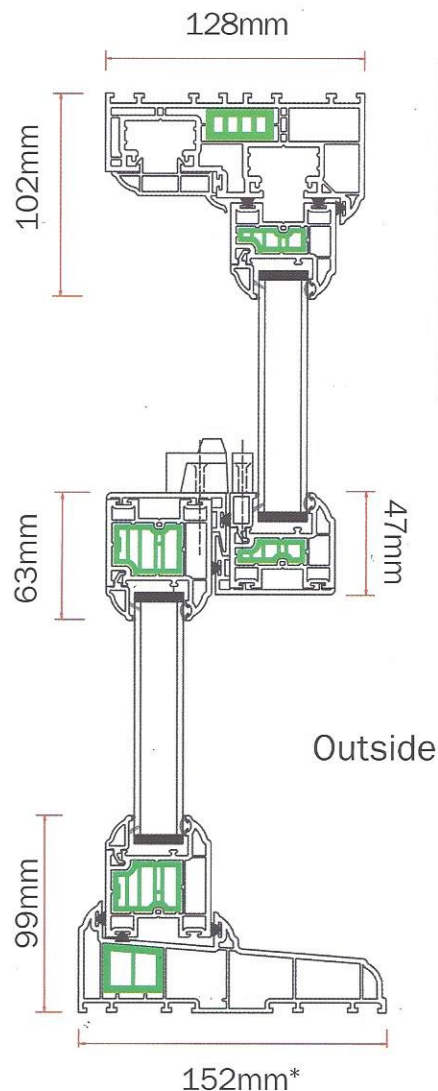
Horizontal Section Through Top Sash



Horizontal Section Through Bottom Sash



Vertical Section Through Sash



Energy Window	
PVC-U Vertical Slider Eco Slide Sash Windows Ltd	
A	A
B	
C	
D	
E	
F	
G	
Energy Index (A/W/m ² /year)	1
U-Value (W/m ² /K)	UK
U-Value (W/m ² /K)	1.5 W/m ² /K
U-Value (W/m ² /K)	0.88
U-Value (W/m ² /K)	0.88 W/m ² /K
Reg No: 4365	M365
www.bfrc.org	

*Cill Options

- 152mm
- 185mm
- 225mm



Thermal inserts (coloured green) manufactured from 100% recycled uPVC