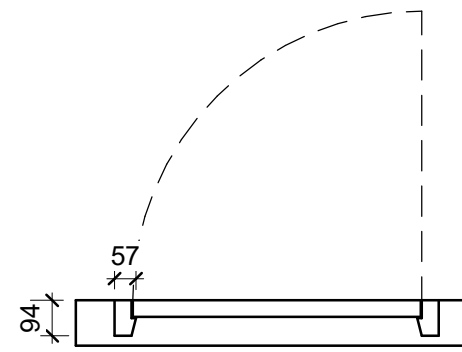
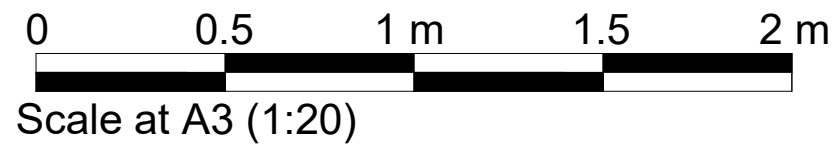


FRONT DOOR
1:20



SIDE DOOR
1:20



DETAILS - EXTERNAL DOORS



Form Architecture and Planning
Walton on Thames, Surrey. KT12 4RZ
Tel 01932 213248

Architecture
Planning
interiors
Landscape