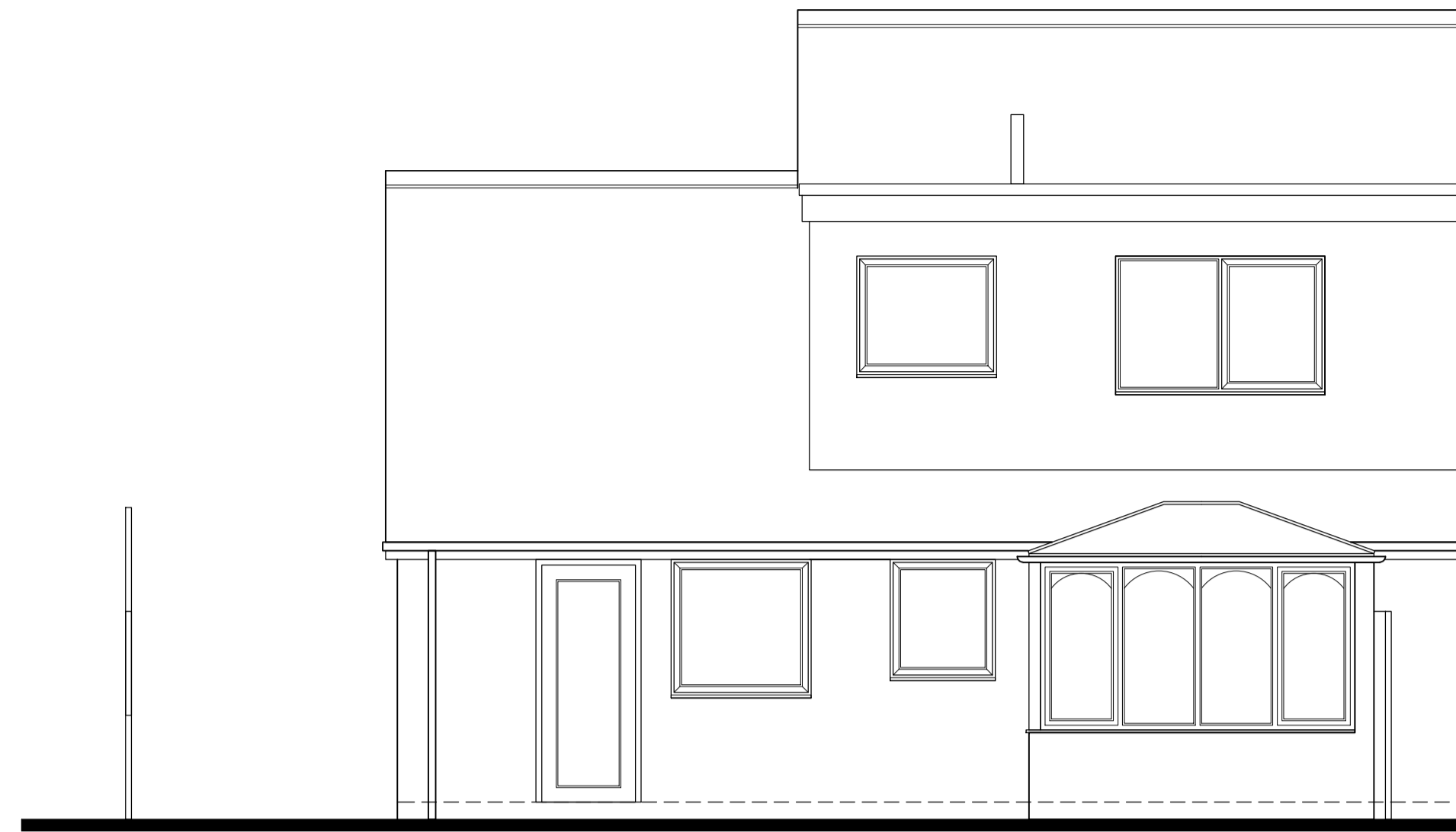
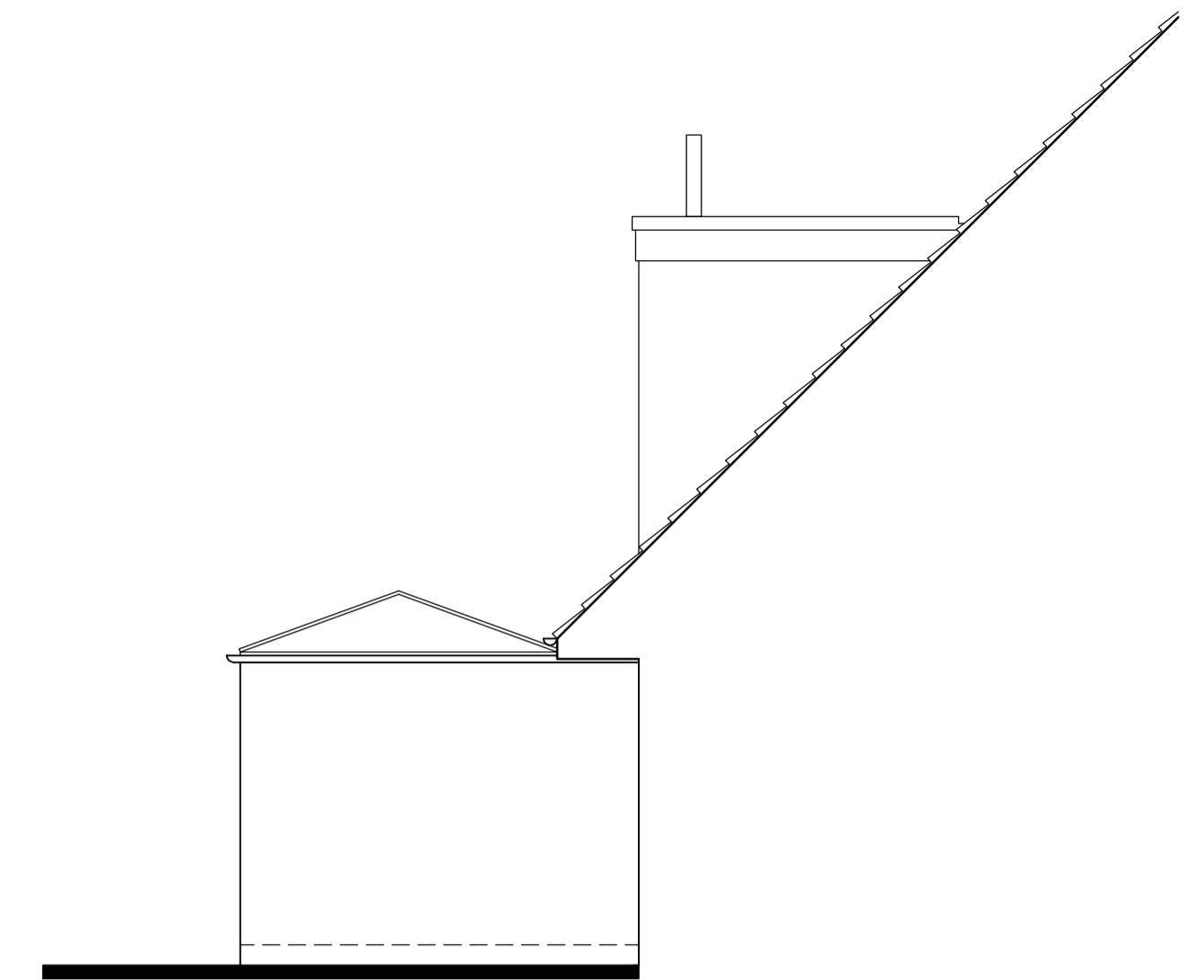




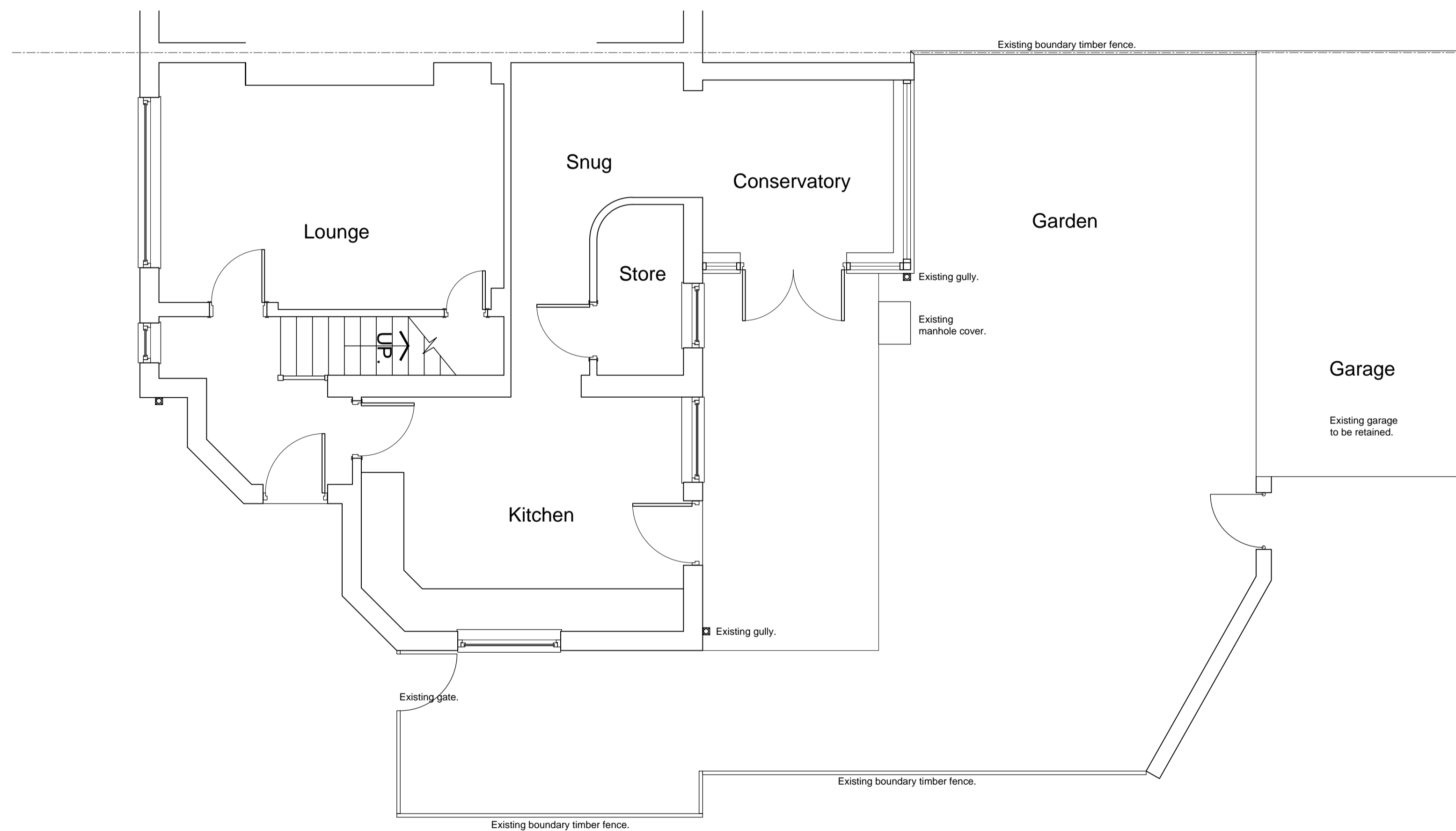
GABLE ELEVATION



REAR ELEVATION



BOUNDARY ELEVATION



GROUND FLOOR LAYOUT