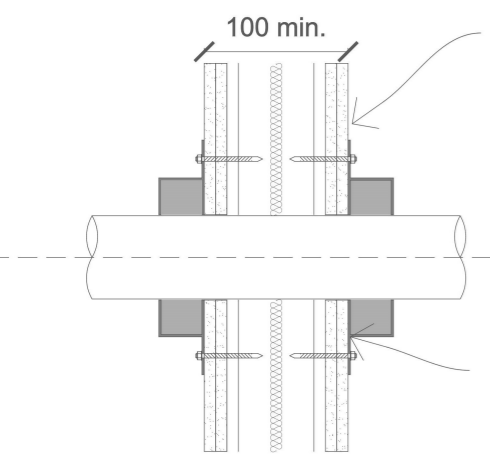


- Rigid floor**
- Min 150mm thick
  - Fire rated to at least the same fire rating as the firestop seal.
- Rockwool Firepro Pipe Collar CE**
- 32mm - 160mm Pipes
  - PE, PVC and PP pipes
  - Fixed with Fischer FSA 6mm dia x 60mm long, with hexagonal head bolts through each fixing tab.
  - Pipe Collar CE must match outside diameter of the pipe (e.g. 110mm diameter collar can only be used with 110mm dia. pipes)
  - Annular gaps <math><10\text{mm}</math> between substrate and pipe to be sealed with min. 10mm depth of ROCKWOOL FIREPRO Acoustic Intumescent Sealant.
  - Annular gaps >10mm between substrate and pipe to be sealed with ROCKWOOL Firestop compound.

1 Pipe Collar - Fire Rated Floor Penetration Detail  
1 : 10



- Flexible wall**
- Min 100mm thick
  - min 2no. board layers
  - Fire rated to at least the same fire rating as the firestop seal.
- Rockwool Firepro Pipe Collar CE**
- 32mm - 160mm Pipes
  - PE, PVC and PP pipes
  - Fixed with 8mm dia x 65mm long Fischer FM 6x65S steel andhorns, with hexagonal head bolts through each fixing tab.
  - Pipe Collar CE must match outside diameter of the pipe (e.g. 110mm diameter collar can only be used with 110mm dia. pipes)
  - Annular gaps <math><10\text{mm}</math> between substrate and pipe to be sealed with min. 10mm depth of ROCKWOOL FIREPRO Acoustic Intumescent Sealant.
  - Annular gaps >10mm between substrate and pipe to be sealed with ROCKWOOL Firestop compound.

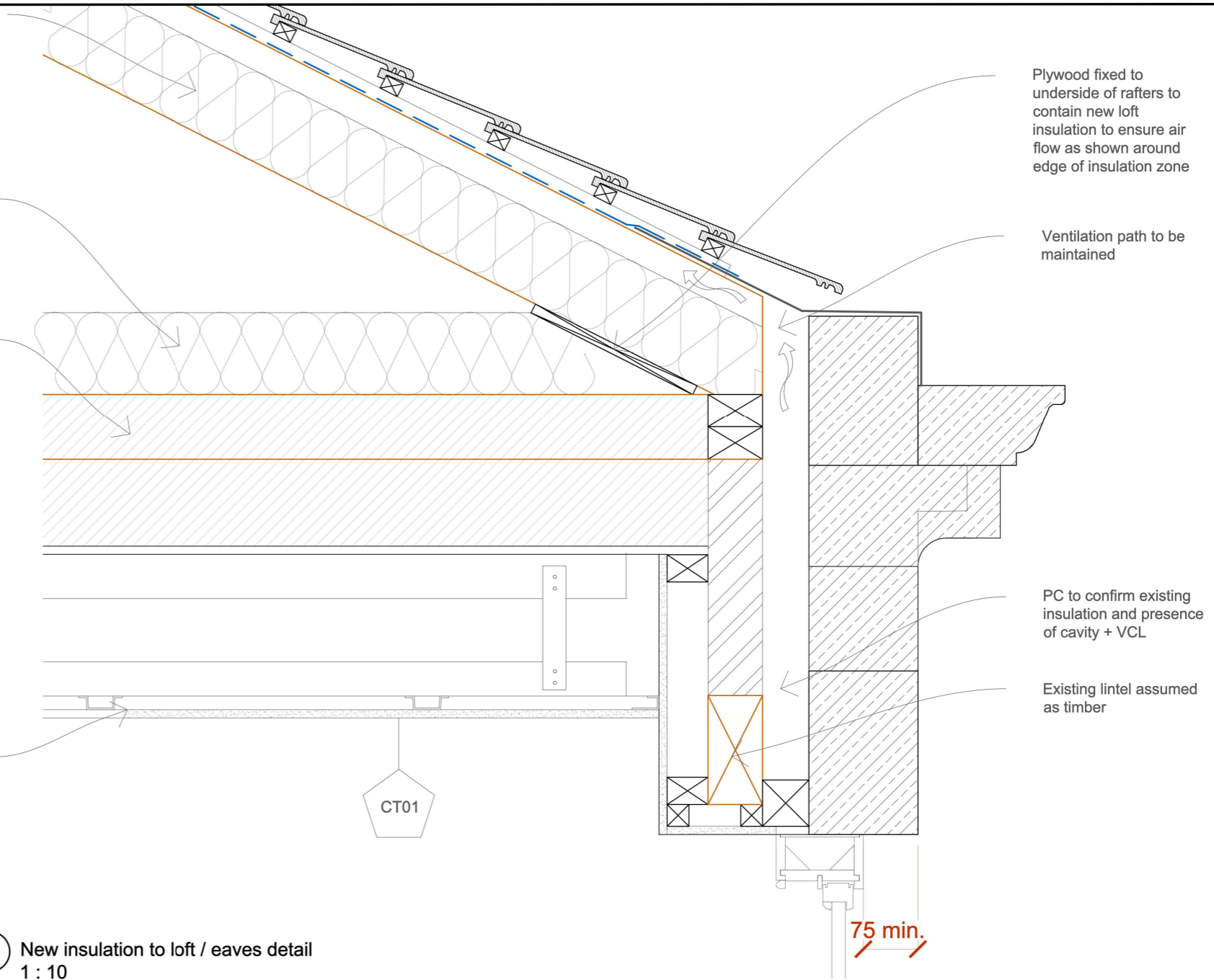
3 Pipe Collar - Fire Rated Wall Penetration Detail  
1 : 10

PC to confirm existing insulation location (i.e. warm or cold roof) plus spec and thickness of existing insulation

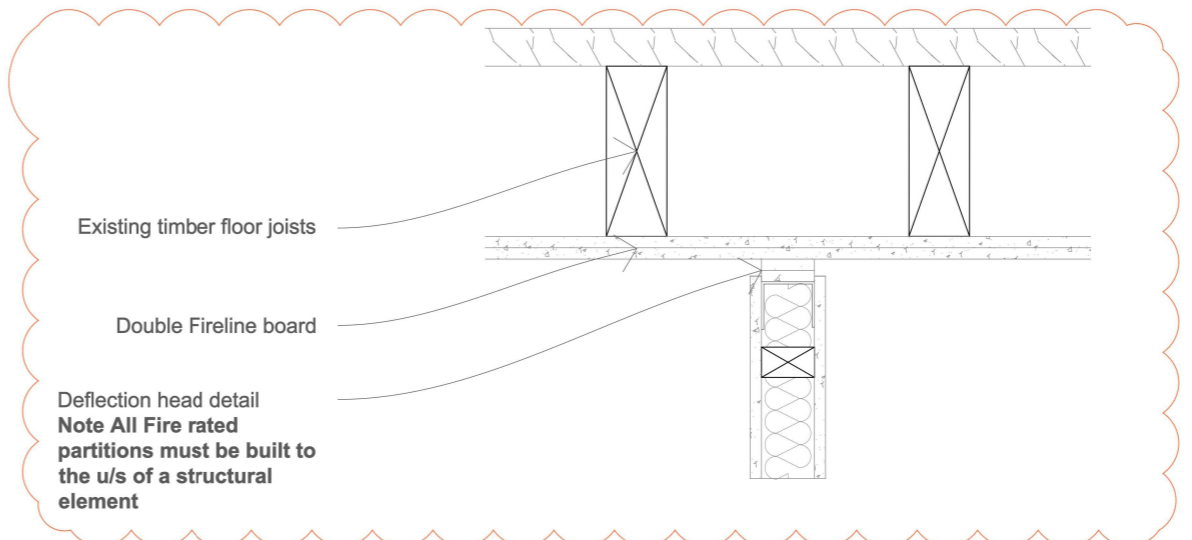
New insulation laid over existing rafters. Roof to achieve

Assumed existing ceiling buildup. PC to confirm existing ceiling buildup including insulation location (i.e. warm or cold roof)

New ceiling



2 New insulation to loft / eaves detail  
1 : 10



4 Fire rated partition head detail  
1 : 10

Address:	Cliffe House, Yeadon, LS19 7BF	T: 01423 705077	E: <a href="mailto:andrew@edgarchitecture.co.uk">andrew@edgarchitecture.co.uk</a>	
Proposals:	Remodelling	Drawn by: JPT	Scale: As indicated	Date: 23.10.23
Drawing Title:	Details	Status: B-Regs	Revision: A	Drawing: 2222-D23