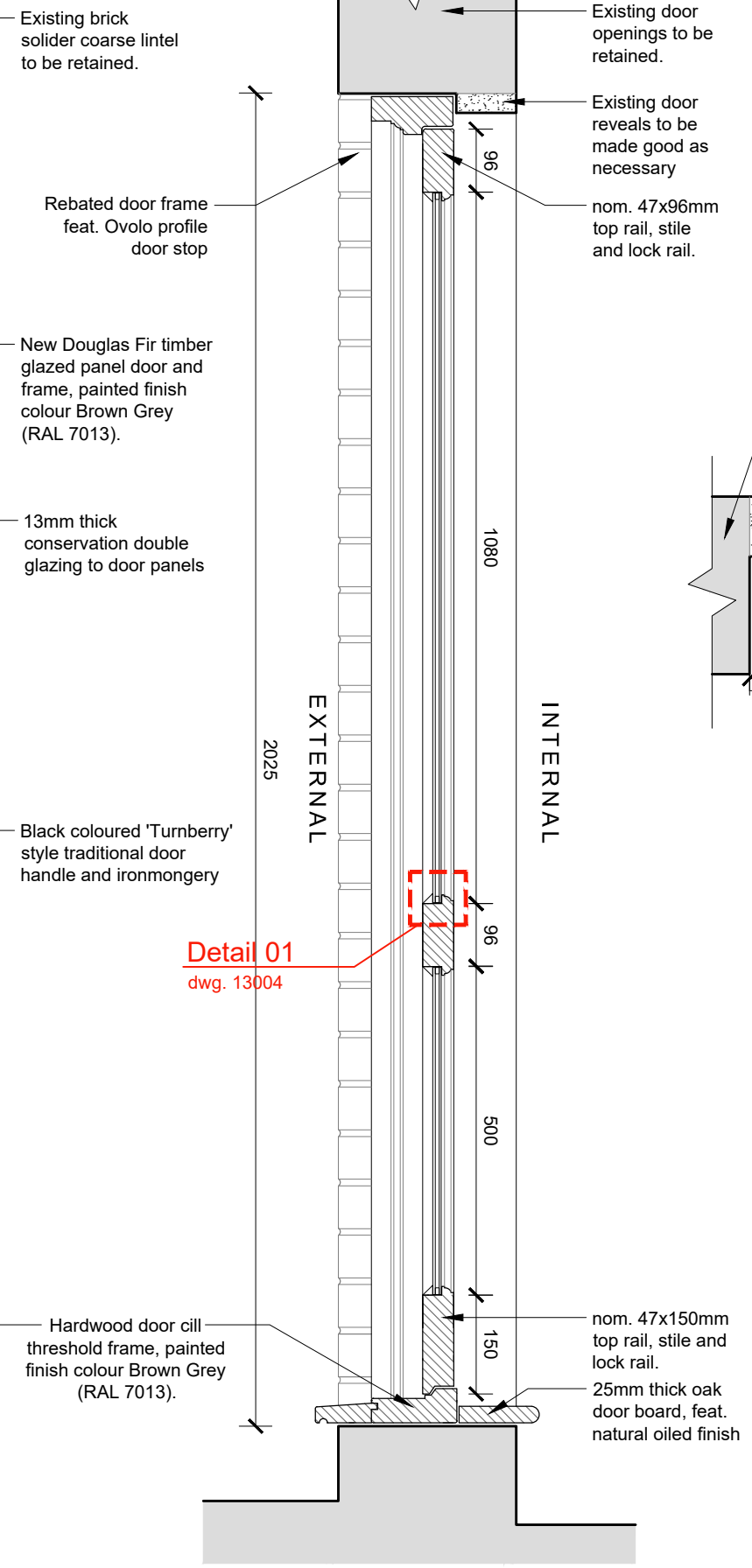
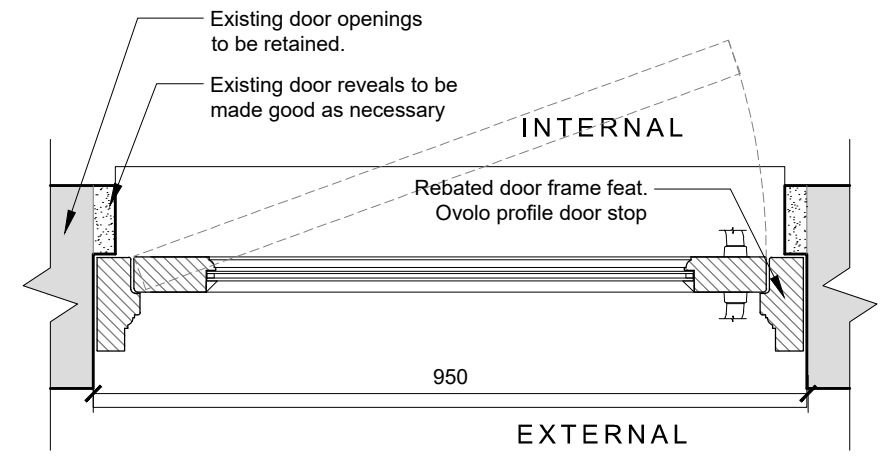


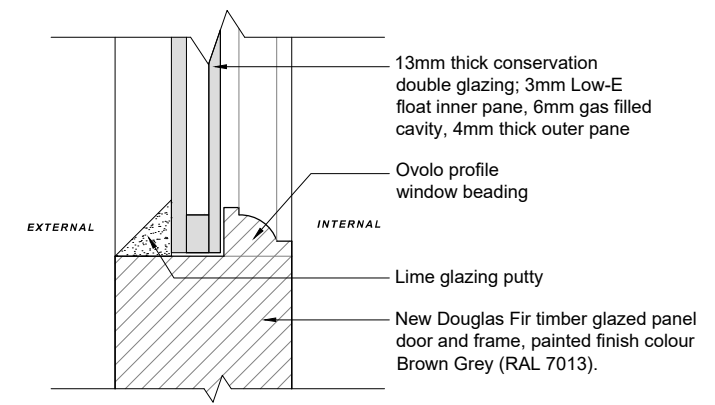
PROPOSED FRONT ELEVATION
1:10 @ A3



PROPOSED SECTION
1:10 @ A3



PROPOSED PLAN
1:10 @ A3



**PROPOSED SECTION
DETAIL 01**
1:2 @ A3

NOTES
-Do not scale from this drawing, except for planning purposes.
-Check all dimensions on site.
-Subject to survey.
-Subject to site inspection.
-Site boundary lines are indicative only.

DOOR TYPE A

RAL COLOUR 7013
- BROWN GREY



Rev	Date	By	Description
A	26.01.2024	DC	Various minor amendments

Revision Schedule

project
ALTERATIONS:
Cafe St Paul's
12 Saint Paul's Lane
Lincoln, LN1 3AL

title
Proposed Details: Door A

drawing status		scale	
PLANNING		As stated @ A3	
contract no.	-	date	22.01.2024
client ref.	Mr G. Reeves	drawn by	DC
		checked by	HC

drawing number	revision
10103-SD-XX-XX-DR-A-13004	A
originator-zone-level-type-role-sheet number	



Simons Design Ltd
architects
Newland House, The Point, Weaver Road, Lincoln,
Lincolnshire, LN6 3QN
T: +44 (0) 1522 815 114
E: info@simons-design.co.uk
www.simons-design.co.uk