

PROPOSED SECTION

1:10 @ A3

New Douglas Fir timber glazed panel door and frame, painted finish colour Brown Grey (RAL 7013).

13mm thick conservation double glazed door panels. Vinyl logo manifestation to glazing.

Lime glazing putty to outer face, Ovolo profiled timber beading to internal face.

13mm thick conservation double glazing; 3mm Low-E float inner pane, 6mm gas filled cavity, 4mm thick outer panel. Vinyl logo manifestation to glazing.

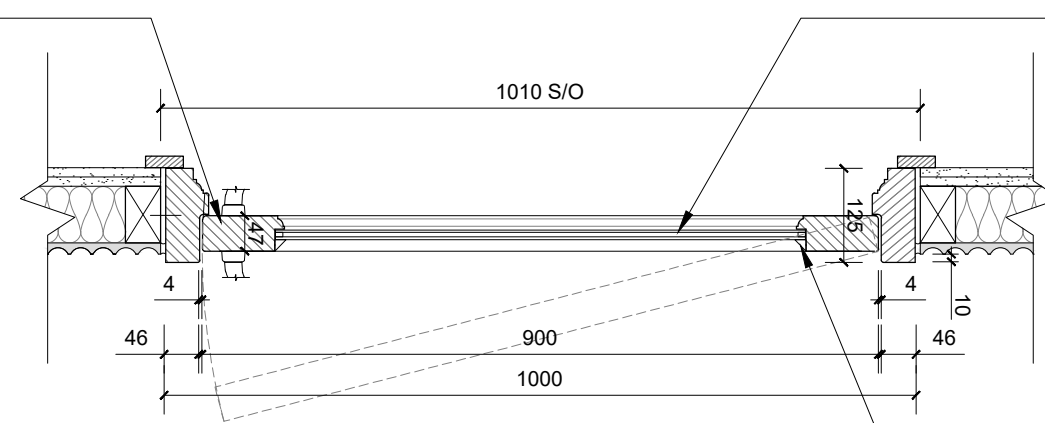
Lime glazing putty to outer face, Ovolo profiled timber beading to internal face.

Ovolo profiled timber fielded panels

Ovolo profiled timber fielded panels

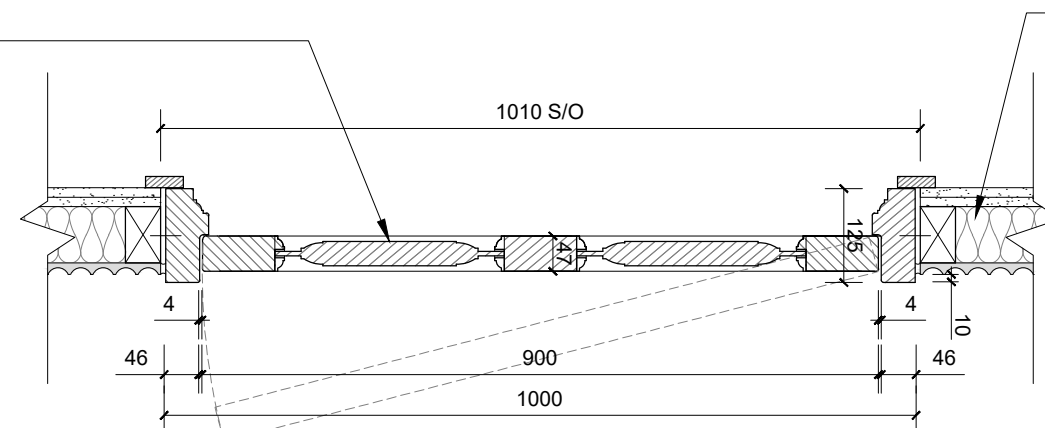
New Douglas Fir timber glazed panel door and frame, painted finish colour Brown Grey (RAL 7013).

New stud wall; 2no. 12.5mm plasterboard with emulsion painted finish, 47x75mm timber studs with mineral wool infill to voids, 15mm thick fluted MDF panels with emulsion painted finish.



PROPOSED PLAN (Upper Section)

1:10 @ A3



PROPOSED PLAN (Lower Section)

1:10 @ A3

NOTES
 -Do not scale from this drawing, except for planning purposes.
 -Check all dimensions on site.
 -Subject to survey.
 -Subject to site inspection.
 -Site boundary lines are indicative only.

DOOR TYPE B

RAL COLOUR 7013
 - BROWN GREY



Rev	Date	By	Description
A	26.01.2024	DC	Add door closer

Revision Schedule

project
ALTERATIONS:
 Cafe St Paul's
 12 Saint Paul's Lane
 Lincoln, LN1 3AL

title
Proposed Details: Door B Section and Plan

drawing status PLANNING	
contract no. -	scale 1:10 @ A3
client ref. Mr G. Reeves	date 22.01.2024
drawn by DC	checked by HC
drawing number 10103-SD-XX-XX-DR-A-13006	revision A
originator-zone-level-type-role-sheet number	

SIMONS DESIGN ARCHITECTURE | INTERIOR DESIGN | SPACE PLANNING

INNOVATIVE CREATIVE TRUSTED

Simons Design Ltd architects
 Newland House, The Point, Weaver Road, Lincoln, Lincolnshire, LN6 3QN
 T: +44 (0) 1522 815 114
 E: info@simons-design.co.uk
 www.simons-design.co.uk

