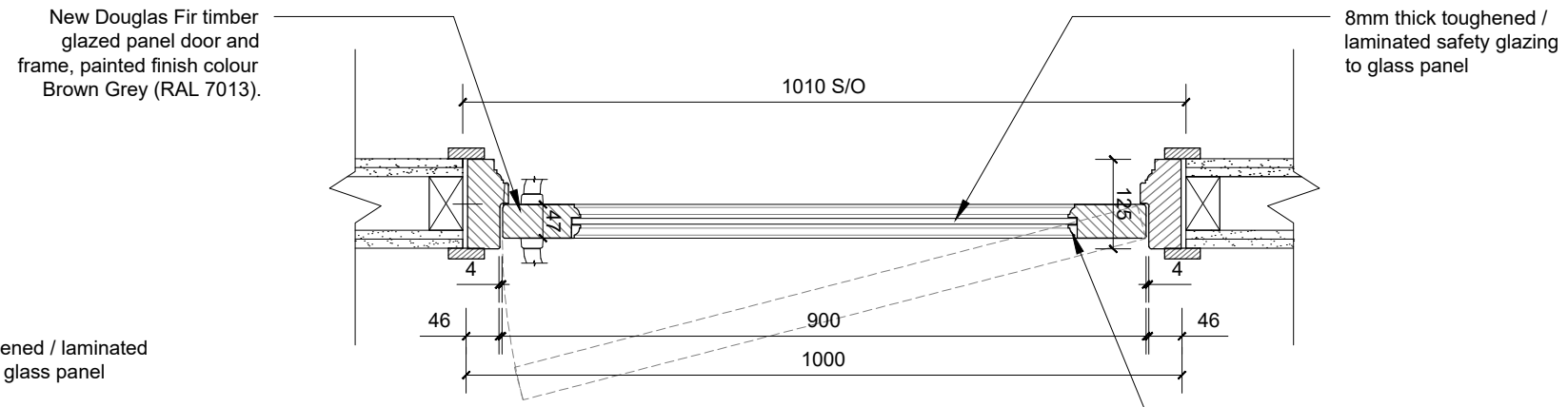
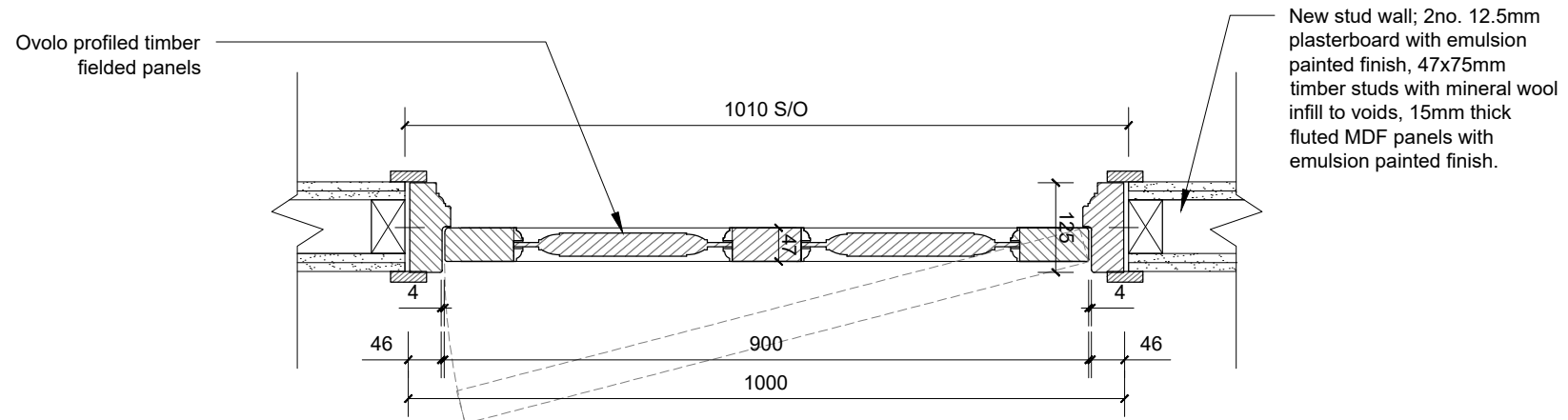


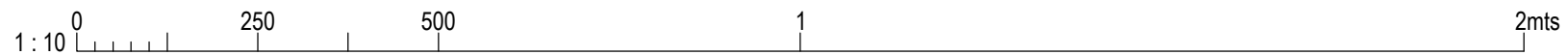
PROPOSED SECTION
1:10 @ A3



PROPOSED PLAN (Upper Section)
1:10 @ A3



PROPOSED PLAN (Lower Section)
1:10 @ A3



NOTES
-Do not scale from this drawing, except for planning purposes.
-Check all dimensions on site.
-Subject to survey.
-Subject to site inspection.
-Site boundary lines are indicative only.

DOOR TYPE C

RAL COLOUR 7013
- BROWN GREY



Rev	Date	By	Description
B	29.01.2024	DC	Amended door swing
A	26.01.2024	DC	Add door closer

Revision Schedule

project
ALTERATIONS:
Cafe St Paul's
12 Saint Paul's Lane
Lincoln, LN1 3AL

title
Proposed Details: Door C Section and Plan

drawing status	
PLANNING	
contract no. -	scale 1:10 @ A3
client ref. Mr G. Reeves	date 22.01.2024
drawn by DC	checked by HC

drawing number	revision
10103-SD-XX-XX-DR-A-13008	B
<small>originator-zone-level-type-role-sheet number</small>	



Simons Design Ltd
architects
Newland House, The Point, Weaver Road, Lincoln,
Lincolnshire, LN6 3QN
T: +44 (0) 1522 815 114
E: info@simons-design.co.uk
www.simons-design.co.uk