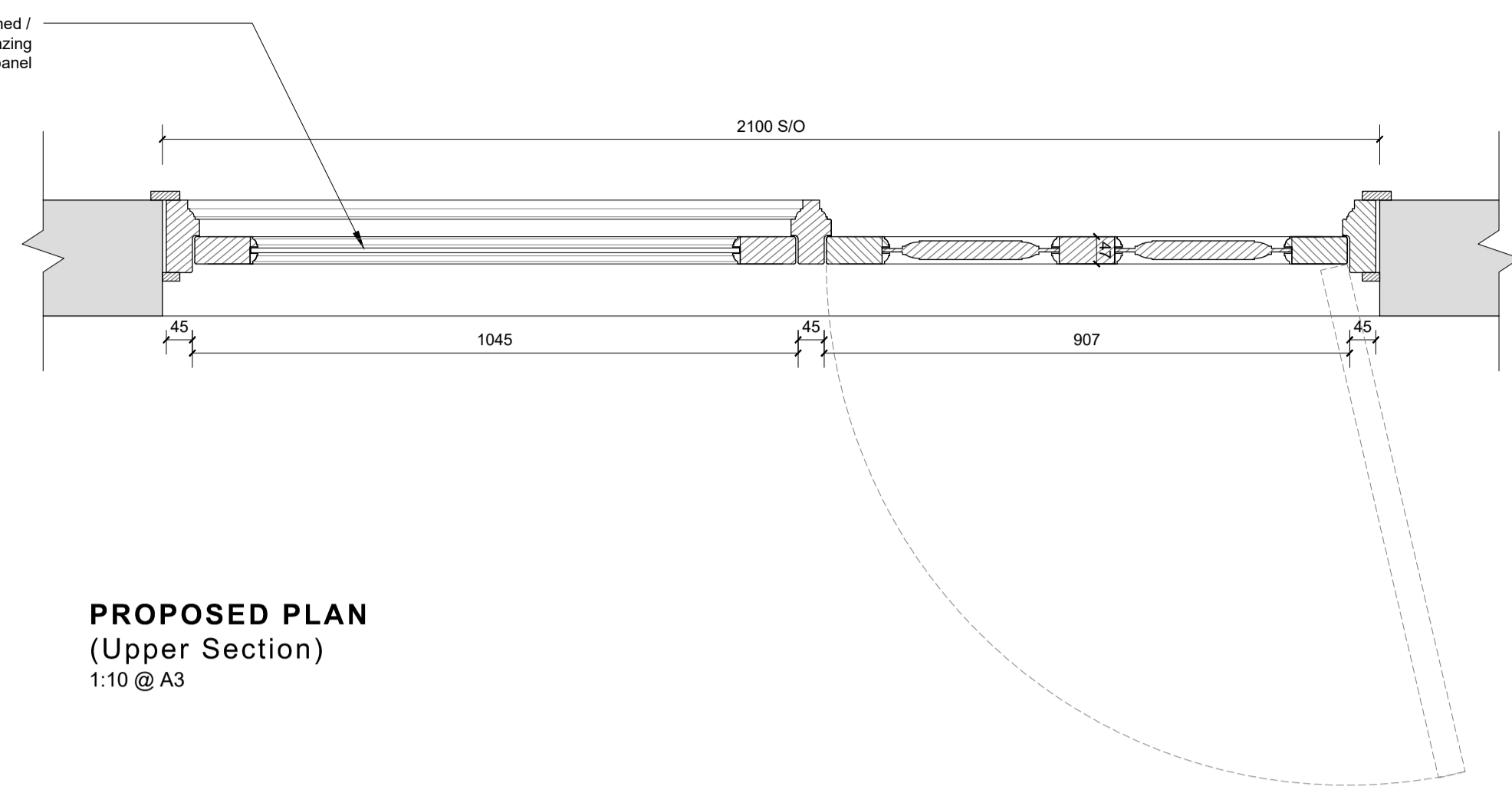
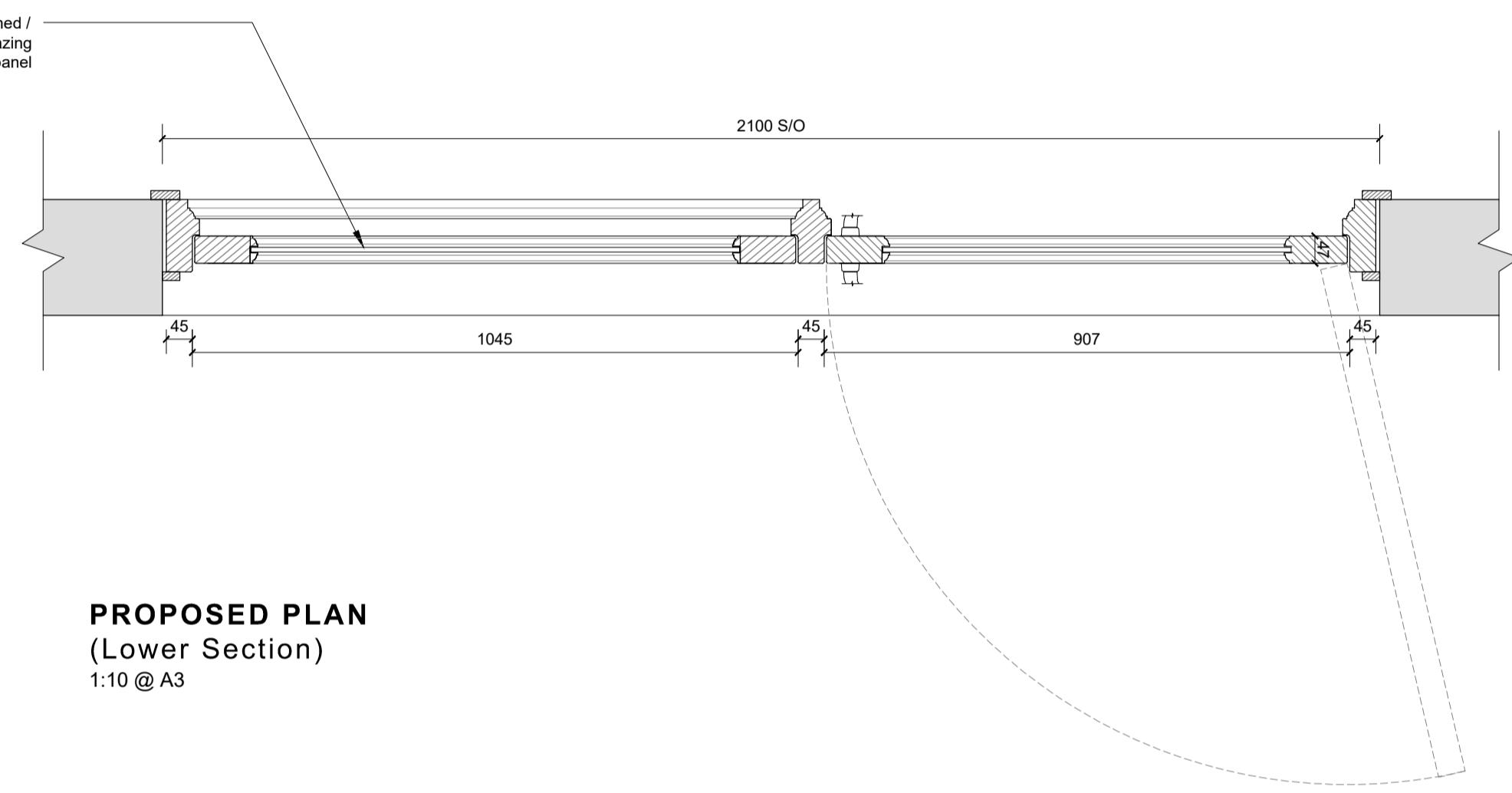


PROPOSED SECTION 1
1:10 @ A3

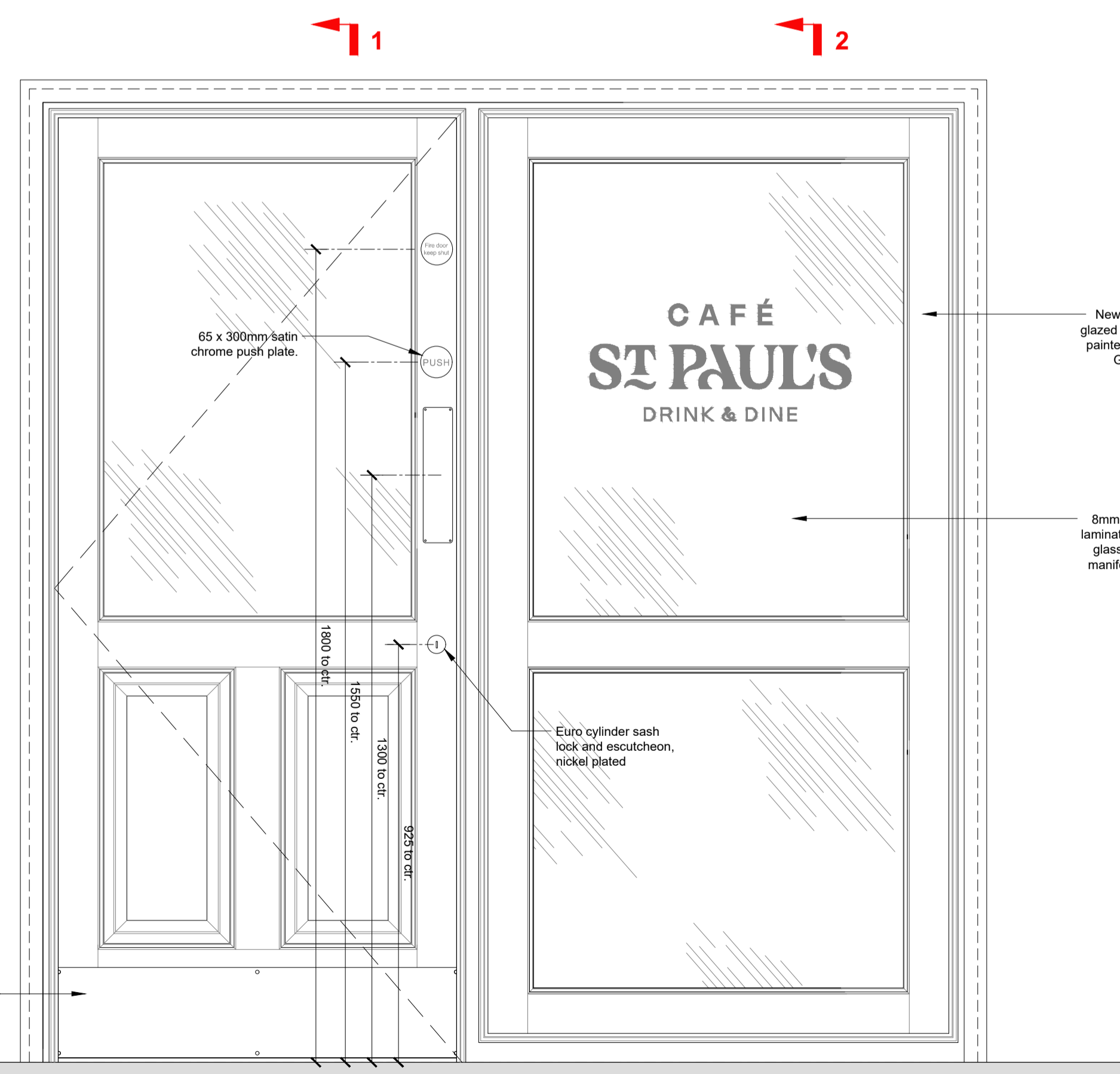
PROPOSED SECTION 2
1:10 @ A3



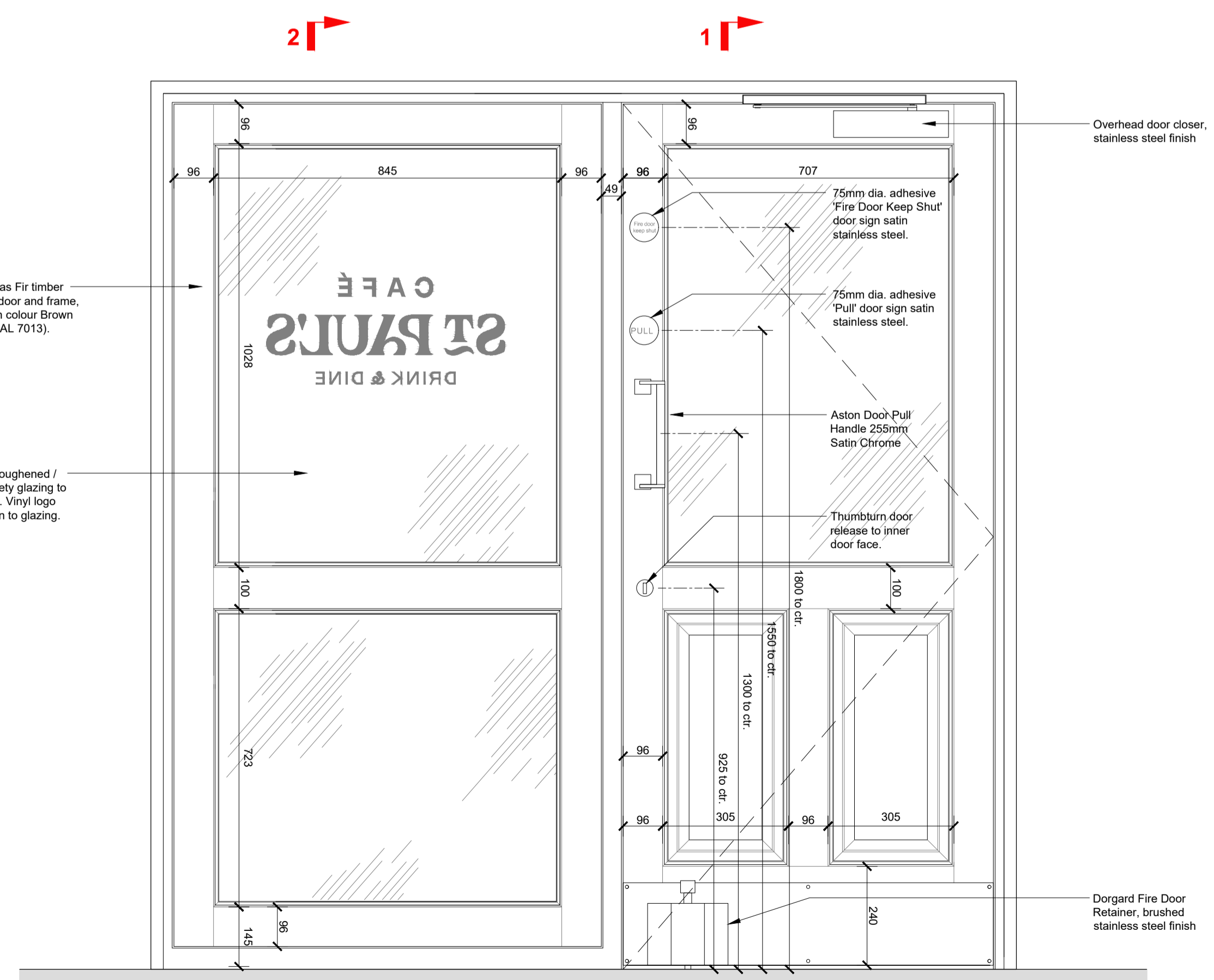
PROPOSED PLAN (Upper Section)
1:10 @ A3



PROPOSED PLAN (Lower Section)
1:10 @ A3



PROPOSED FRONT ELEVATION
1:10 @ A3



PROPOSED REAR ELEVATION
1:10 @ A3

NOTES
-Do not scale from this drawing, except for planning purposes.
-Check all dimensions on site.
-Subject to survey.
-Subject to site inspection.
-Site boundary lines are indicative only.

DOOR TYPE E

RAL COLOUR 7013
- BROWN GREY

Rev	Date	By	Description
A	26.01.2024	DC	Amended door swing and added closer

Revision Schedule

project
ALTERATIONS:
Cafe St Paul's
12 Saint Paul's Lane
Lincoln, LN1 3AL

title
Proposed Details: Door E

drawing status	
PLANNING	
contract no.	scale
-	1:10 @ A1
client ref.	date
Mr G. Reeves	24.12.2023
drawn by	checked by
DC	HC
drawing number	revision
10103-SD-XX-XX-DR-A-13011	A
project number/originator zone level/spe-rite-sheet number	



Simons Design Ltd
architects
Newland House, The Point, Weaver Road, Lincoln,
Lincolnshire, LN6 3QN
T: +44 (0) 1522 815 114
E: info@simons-design.co.uk
www.simons-design.co.uk

