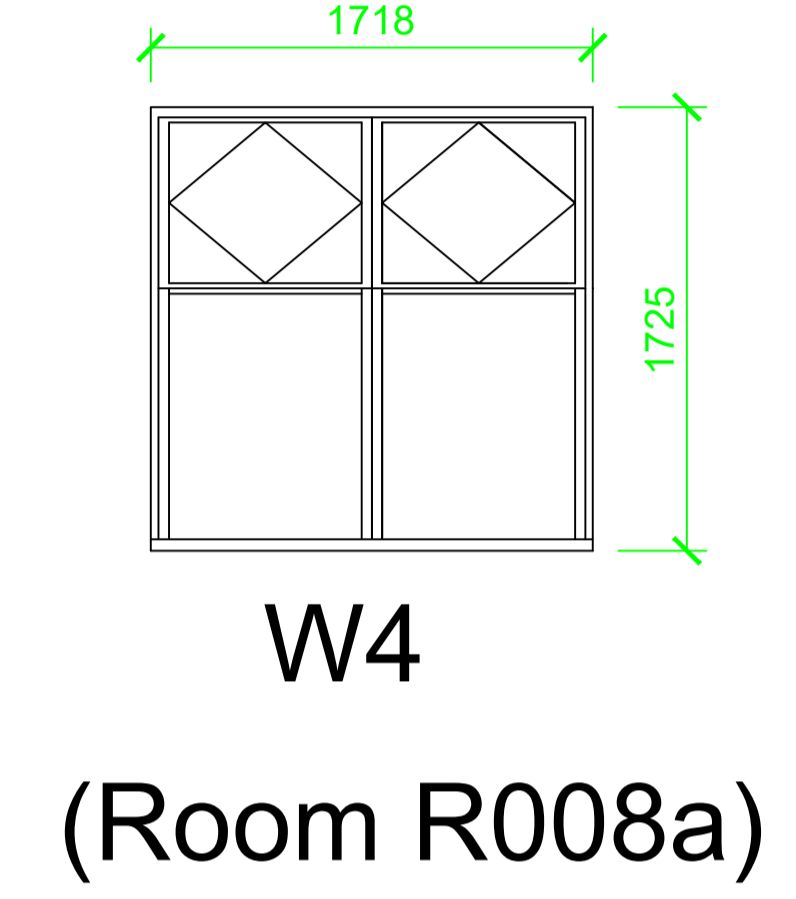
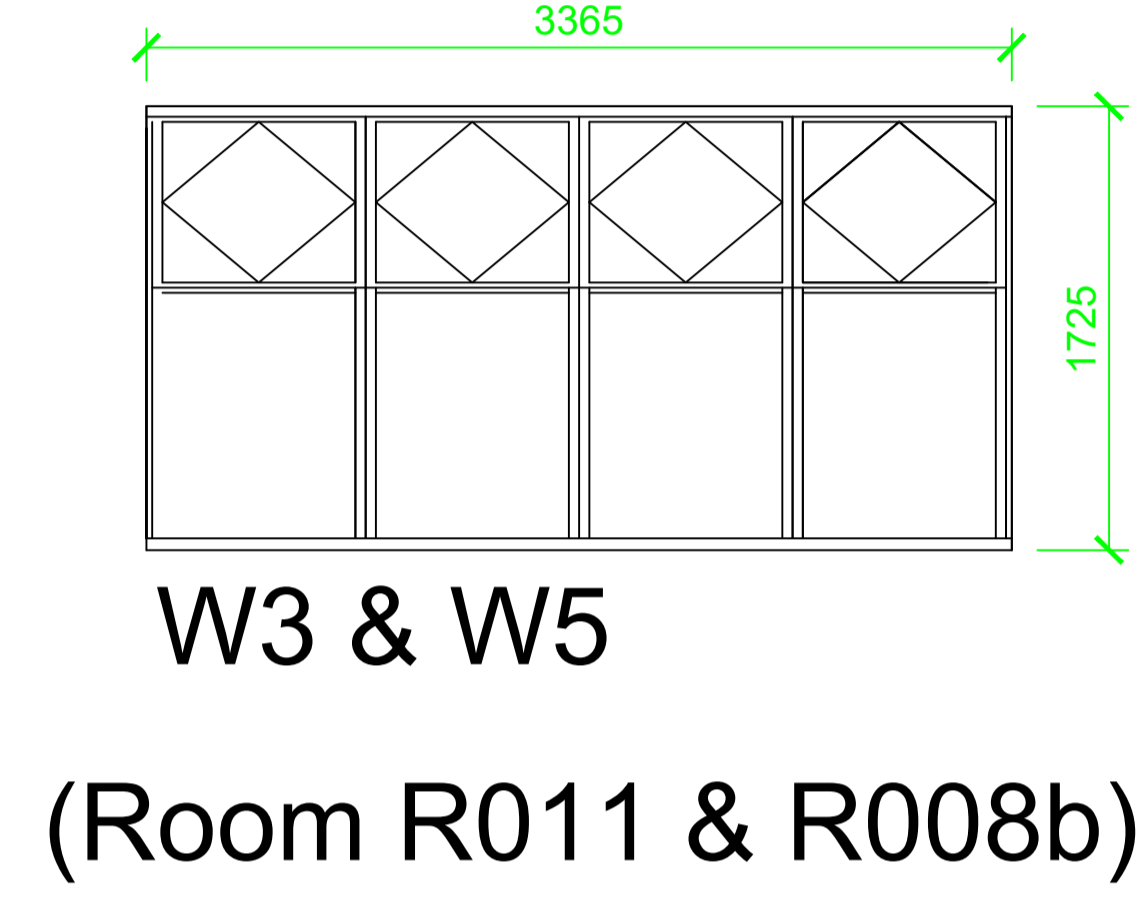
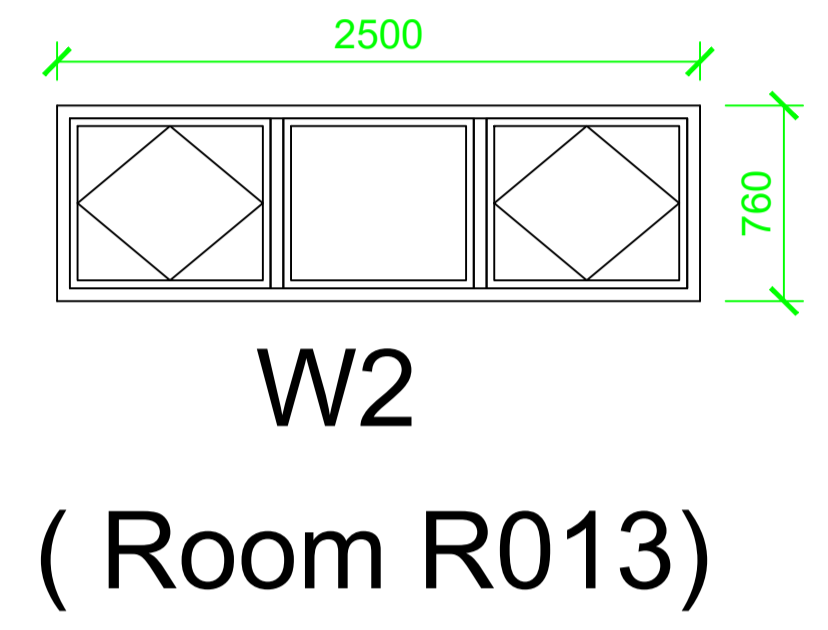
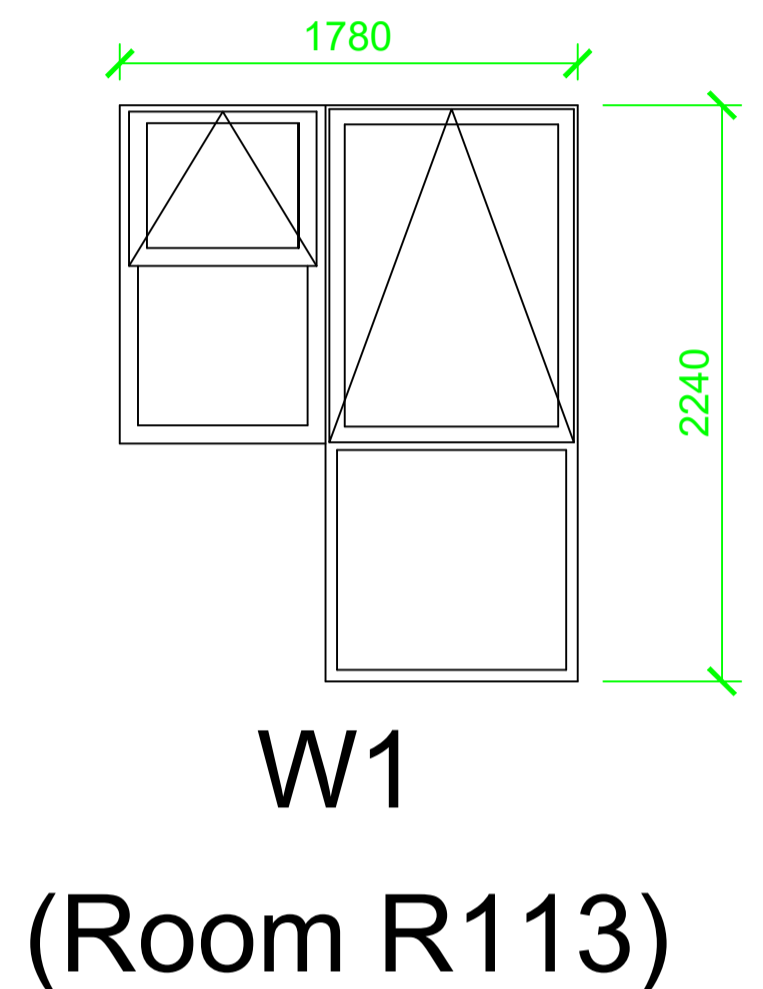
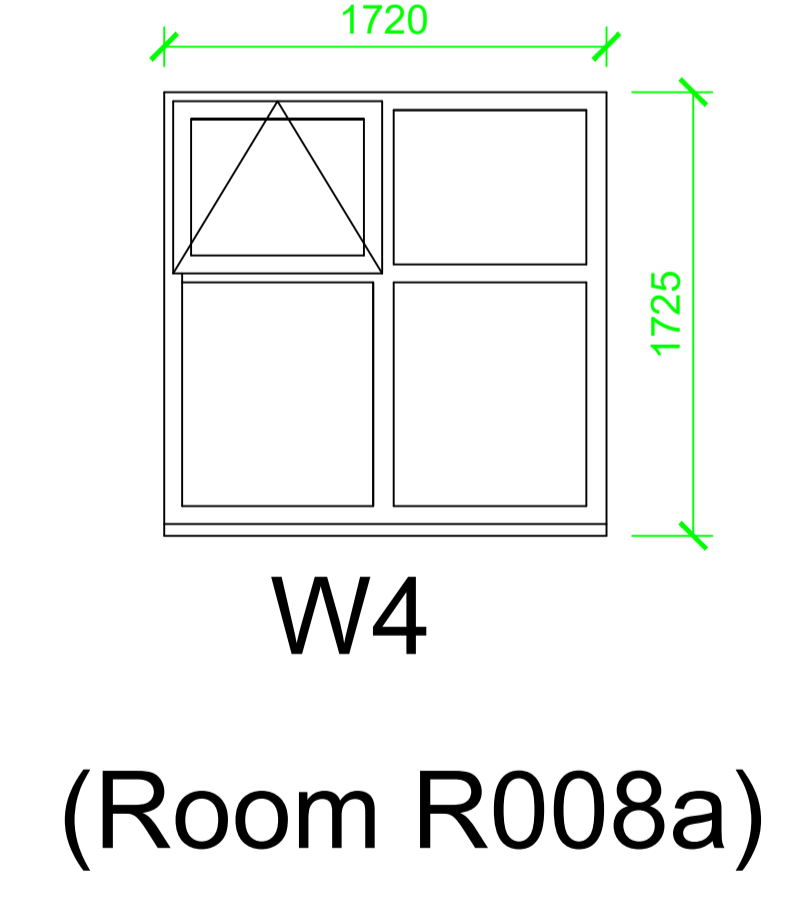
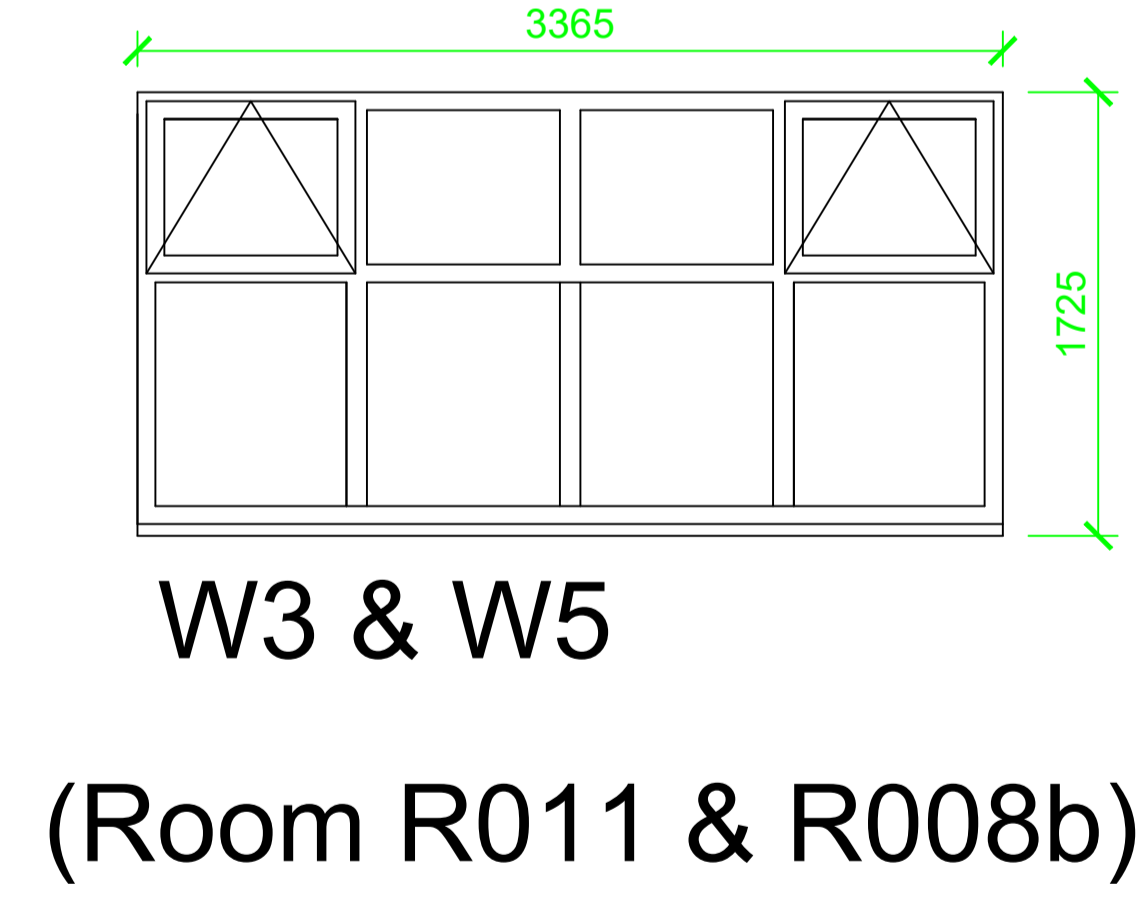
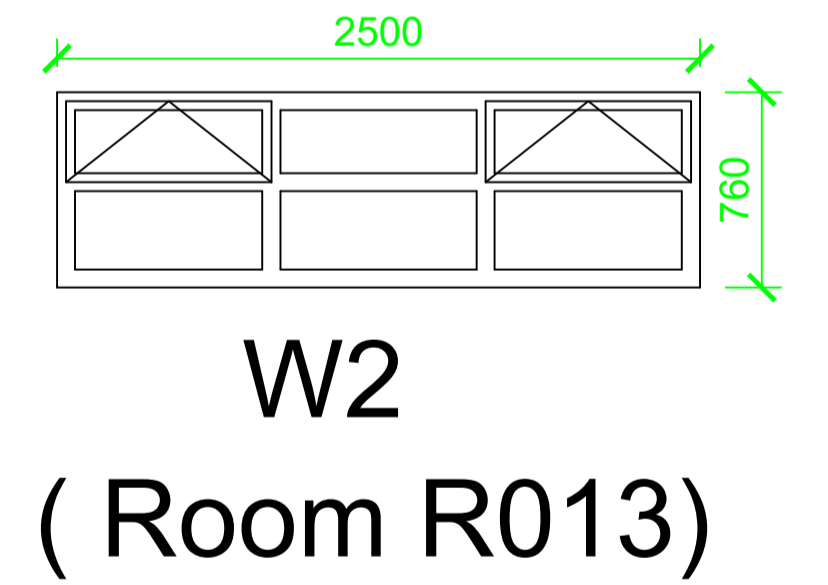
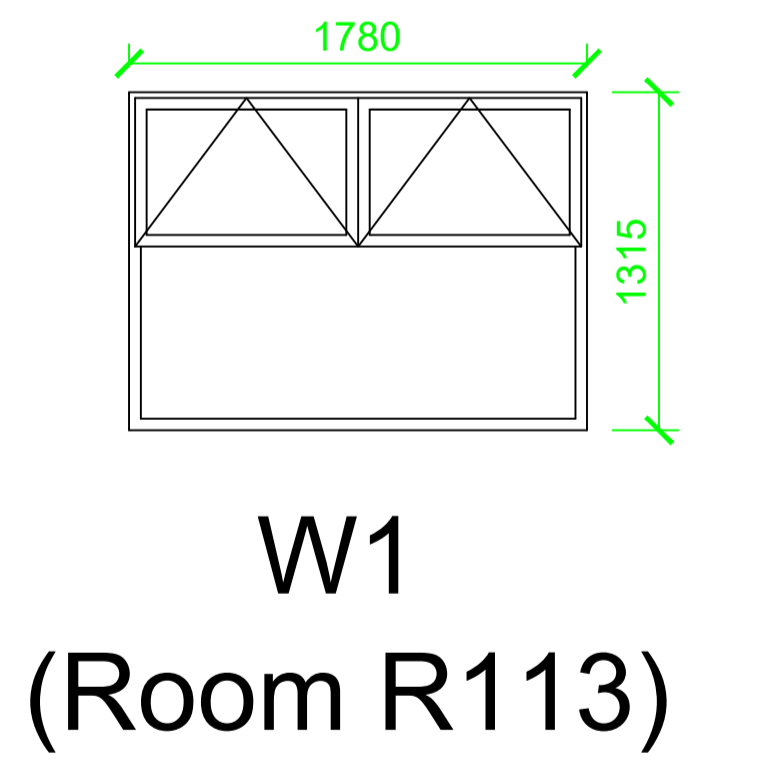


EXISTING WINDOW DESIGNS



PROPOSED WINDOW DESIGNS



REV	DATE	DESCRIPTION
B	20/01/14	New external door omitted as clouded
A	02/12/13	Ramp indicated

Drawing Status
PLANNING



BRIGHTON & HOVE CITY COUNCIL
PROPERTY & DESIGN
KINGS HOUSE, GRAND AVENUE,
HOVE, EAST SUSSEX, BN3 2LS
Telephone: (01273) 290000 Fax No. (01273) 291467

Project
**Connaught School Annexe
Replacement Windows**

Title
Window product data sheet

Drawn By
AG

Checked By

Date
Nov 2023

Project No.
S154

Scale
1:30 @ A1

Drawing No.
003

Revision

This drawing should be read in conjunction with all other drawings. Do not scale. All dimensions must be site checked. Copyright © Brighton & Hove City Council.