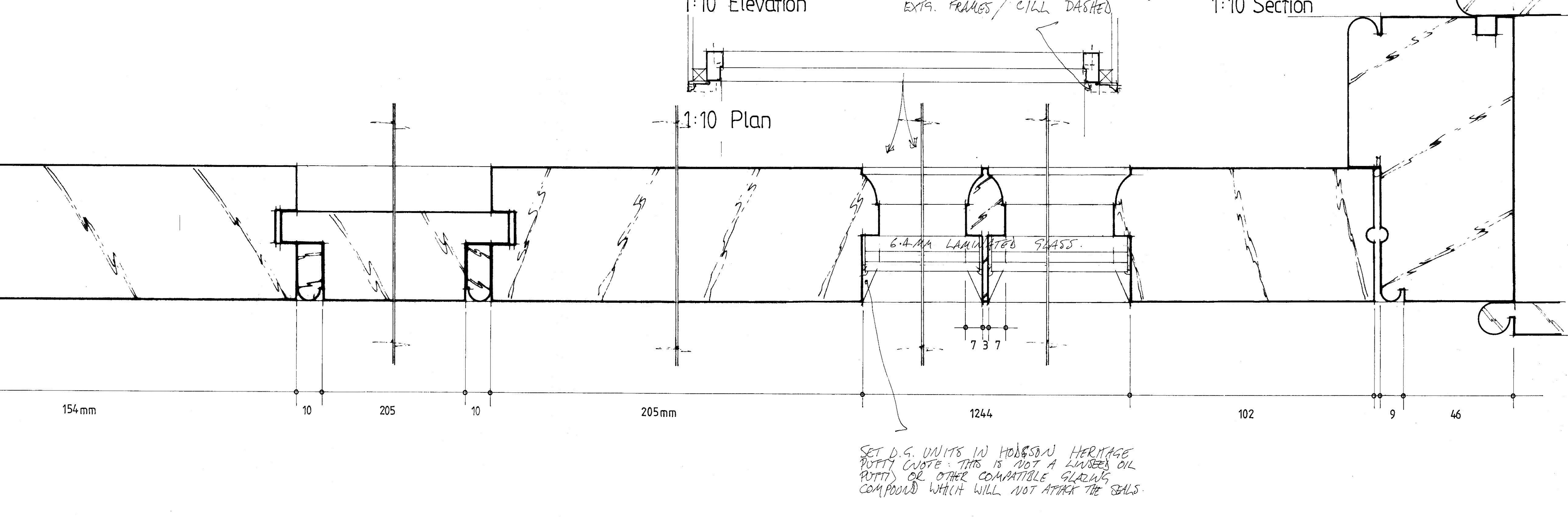
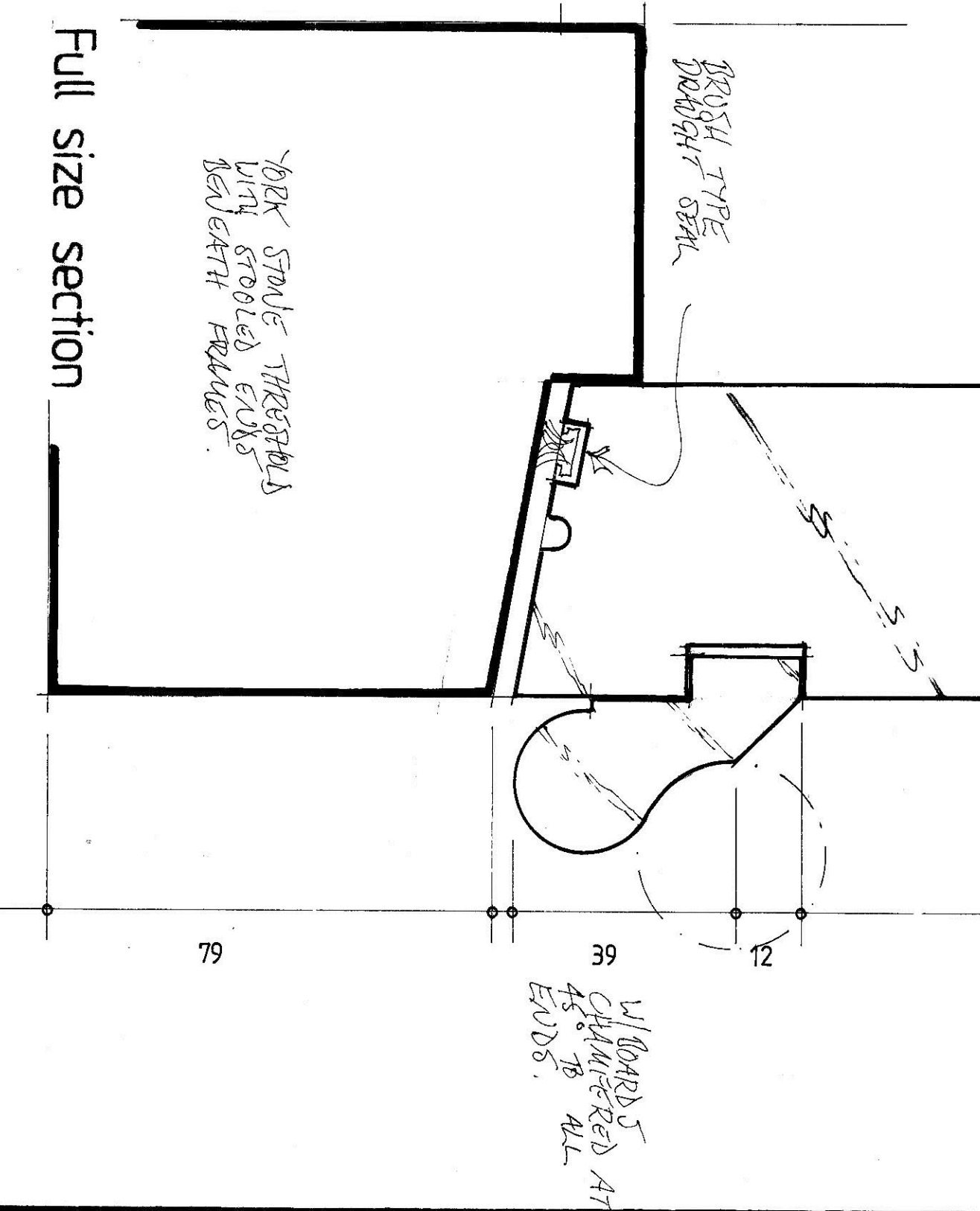
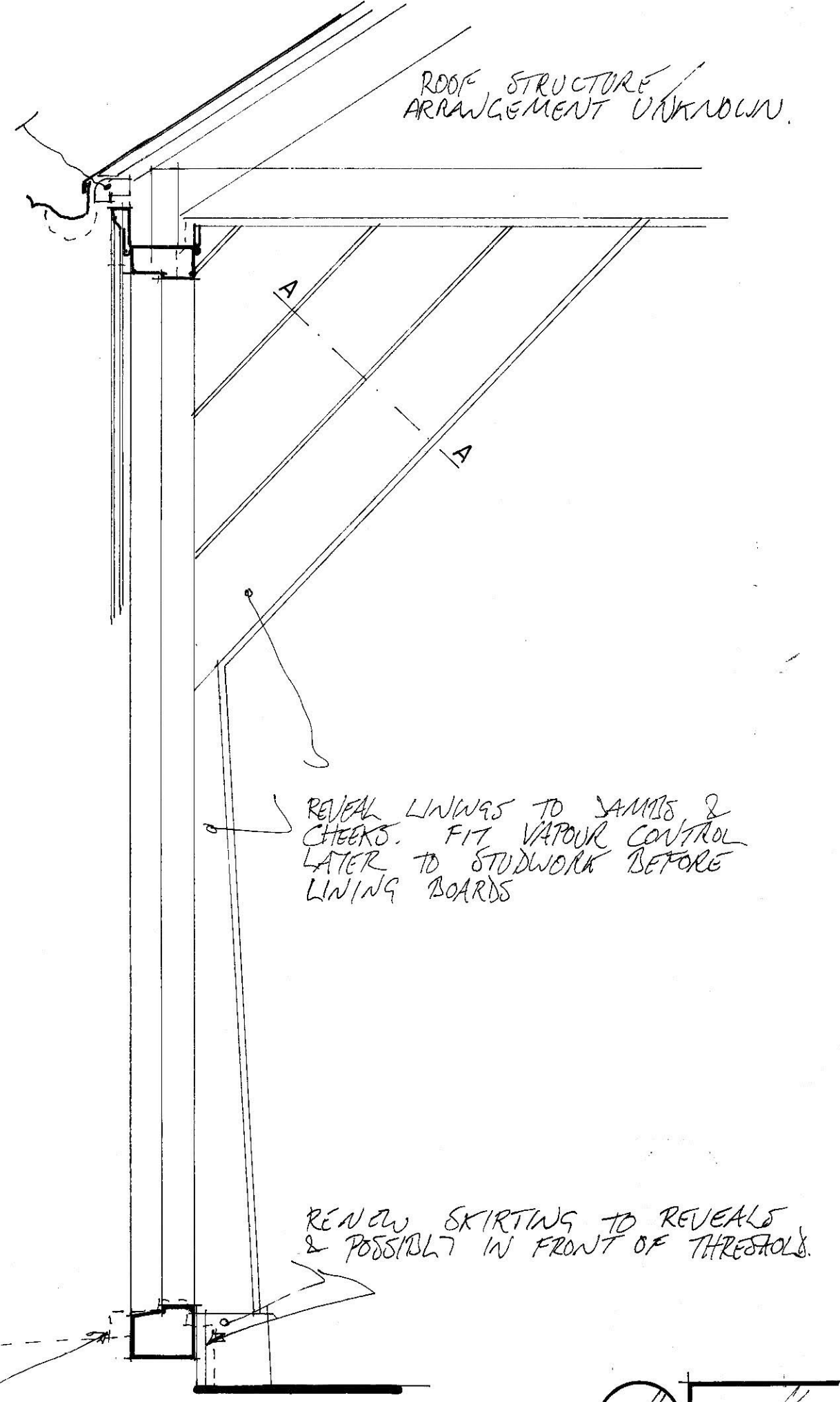
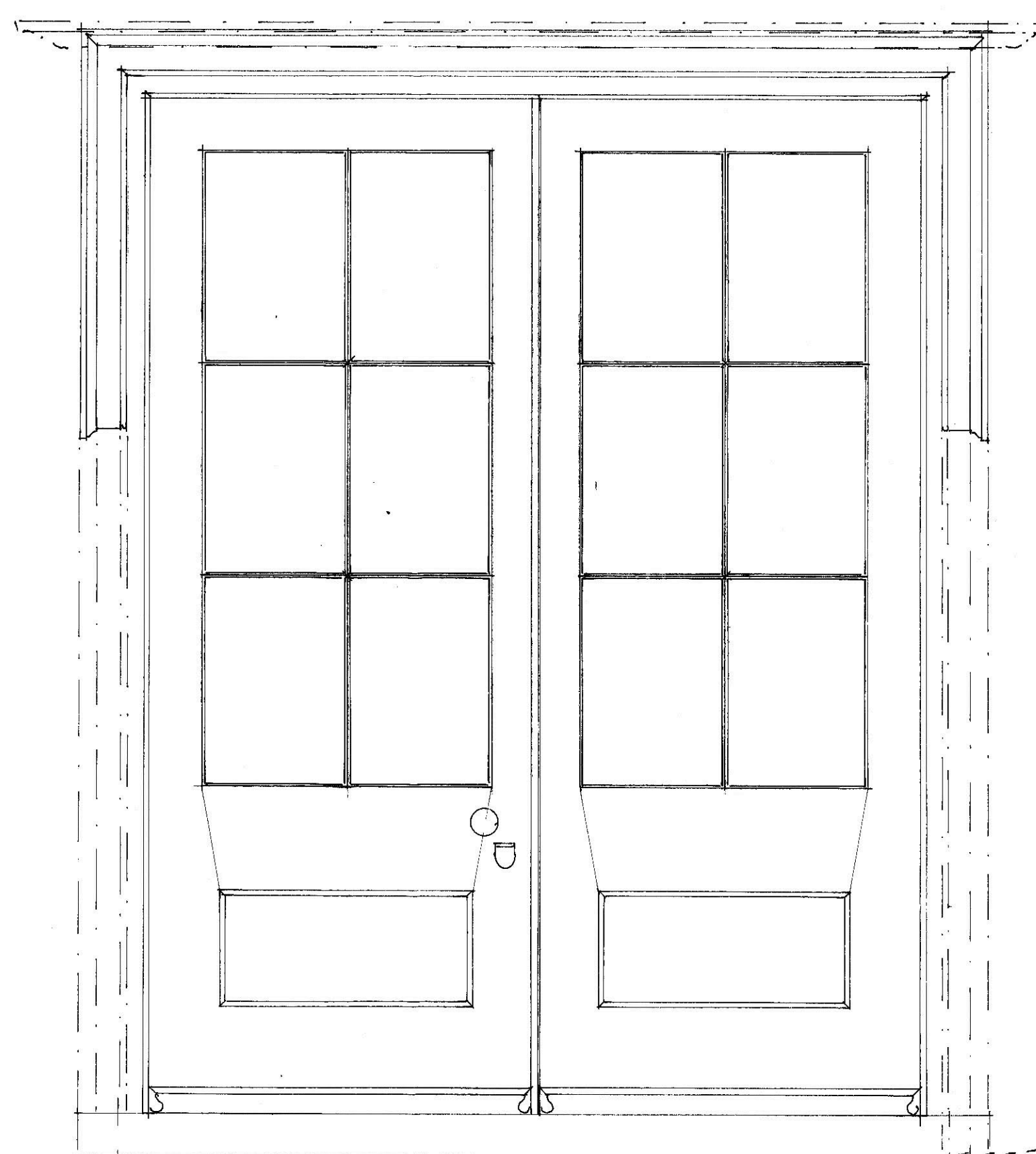


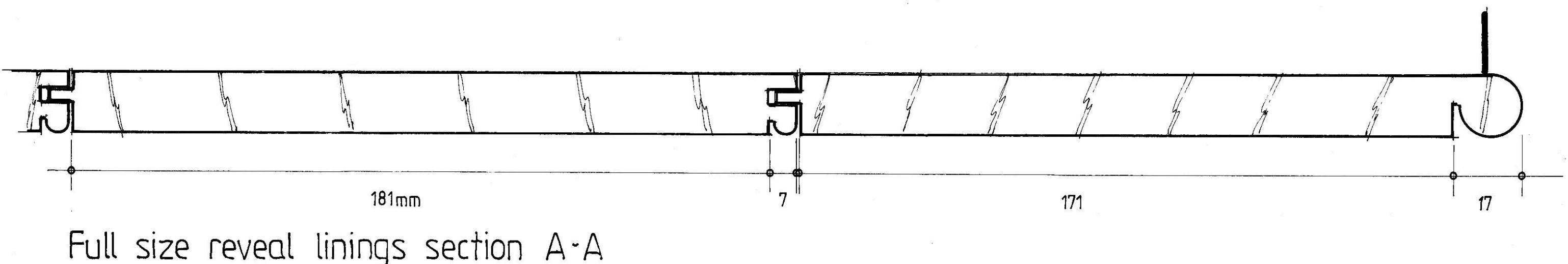
SUBJECT TO STRIPPING OUT - DETERMINE WHETHER FRAMES/ARCHITECTURAL SPINDLES STAY AT ENDS OR EXTEND TO THRESHOLD AS DOTTED.

SEE DRWG. 09 FOR CHECK CONSTRUCTION & DRWG. 10 FOR EAVED DETAIL. NOTE THAT THIS 1:10 EAVED DETAIL SHOWS A SLIDEVALVE FV250 VENTILATOR



School Farmhouse, GUILTON
 French door details
 Scale: full size & 1:10 at A1
 Drwg.: SFG/0122/11
 Drwg. by: T. Ellis Nov. 2023 Tel: 01233 770498

Notes:
 Confirm opening dimensions on site prior to joinery manufacture
 Construct joinery in Accoya* with linings in joinery quality softwood
 Glaze with 4, 4, 6.4mm slimline d.g. units in toughened & laminated glass
 Fit draft seals to frame and meeting stiles
 *STAINLESS STEEL OR BRASS FIXINGS MUST BE USED WITH ACCOYA.



Scan + 4 folded