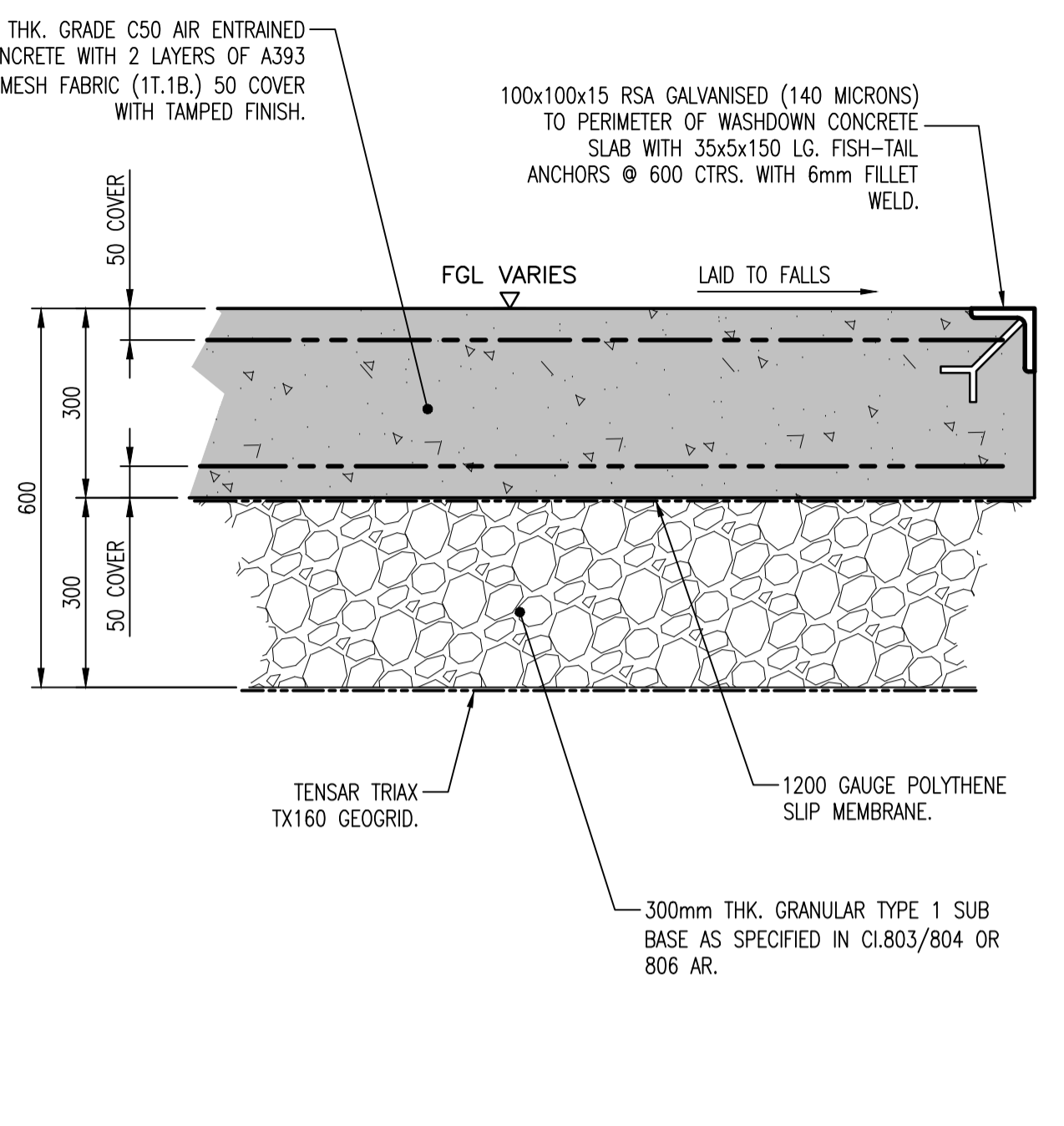


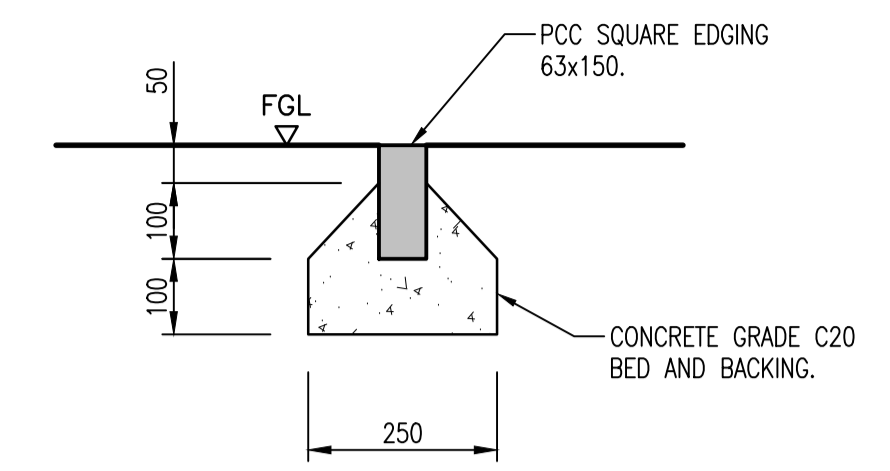
DETAIL 1-4151.

BOATYARD AREA BLOCK PAVING CONSTRUCTION DETAIL.

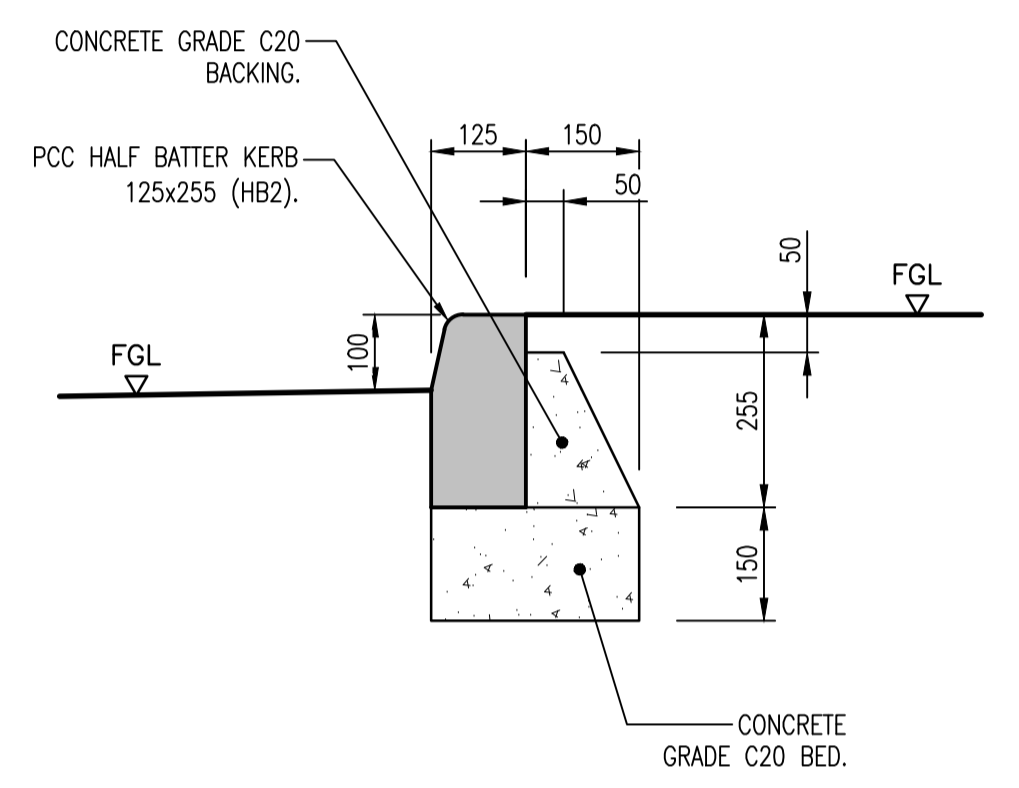


DETAIL 2-4151.

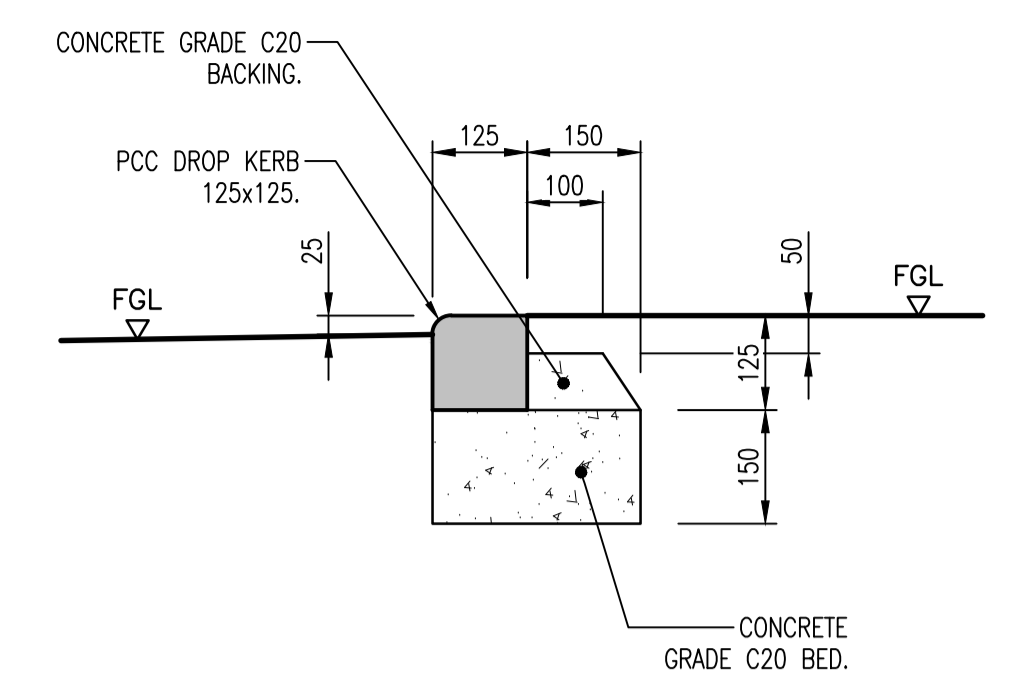
CONCRETE WASHDOWN AREA CONSTRUCTION DETAIL.



DETAIL 5-4151.
SQUARE PROFILE EDGING DETAIL.



DETAIL 7-4151.
UPSTAND HALF BATTER KERB DETAIL.



DETAIL 6-4151.
UPSTAND HALF BATTER KERB DETAIL.

- NOTES:**
1. THIS DRAWING IS COPYRIGHT AND SHOULD NOT BE REPRODUCED WITHOUT APPROVAL.
 2. THIS DRAWING TO BE READ IN CONJUNCTION WITH THE ARCHITECTS DRAWINGS. ANY DISCREPANCIES ARE TO BE BROUGHT TO THE ATTENTION OF BOTH PARTIES IMMEDIATELY.
 3. ANY DIMENSIONS/LEVELS INDICATED 'ref.' REFER TO ASSUMED/EXISTING DIMENSIONS WHICH ARE TO BE SITE CHECKED PRIOR TO THE COMMENCEMENT OF ANY WORK.

ALL CIVIL & STRUCTURAL ENGINEERING WORKS TO BE IN ACCORDANCE WITH DOT SPECIFICATION FOR HIGHWAY WORKS.

FOR DETAILS OF POSSIBLE 'UXO' IN THE VICINITY OF THE WORKS REFER TO INFORMATION CONTAINED WITHIN THE CONTRACTOR INFORMATION PACK UNDER THE CDM REGULATIONS.

TENDER

T2	TENDER	HDL/01.24	HDL/01.24	HDL/01.24
T1	TENDER	HDL/01.24	HDL/01.24	HDL/01.24

Version	Amendment	Revised by and date	Checked by and date	Approved by and date

ORIGINAL DRAWING SIZE - A1 X-REFS: .
CAD REF. .

<p>HAMILL DAVIES LIMITED Consulting Civil and Structural Engineers</p>	Client	COWES HARBOUR COMMISSION		
	Project	KINGSTON WHARF, EAST COWES, IOW		
	Drawing Title	BOATYARD EXTERNAL WORKS DETAILS - SHEET 1		
	Purpose	TENDER	Drawn HDL	Scale 1:10 @A1
Issuing Office	SWANMORE	Designed		Version
Telephone	01489 893 596	Drawing Number	23-4162-4151	T2