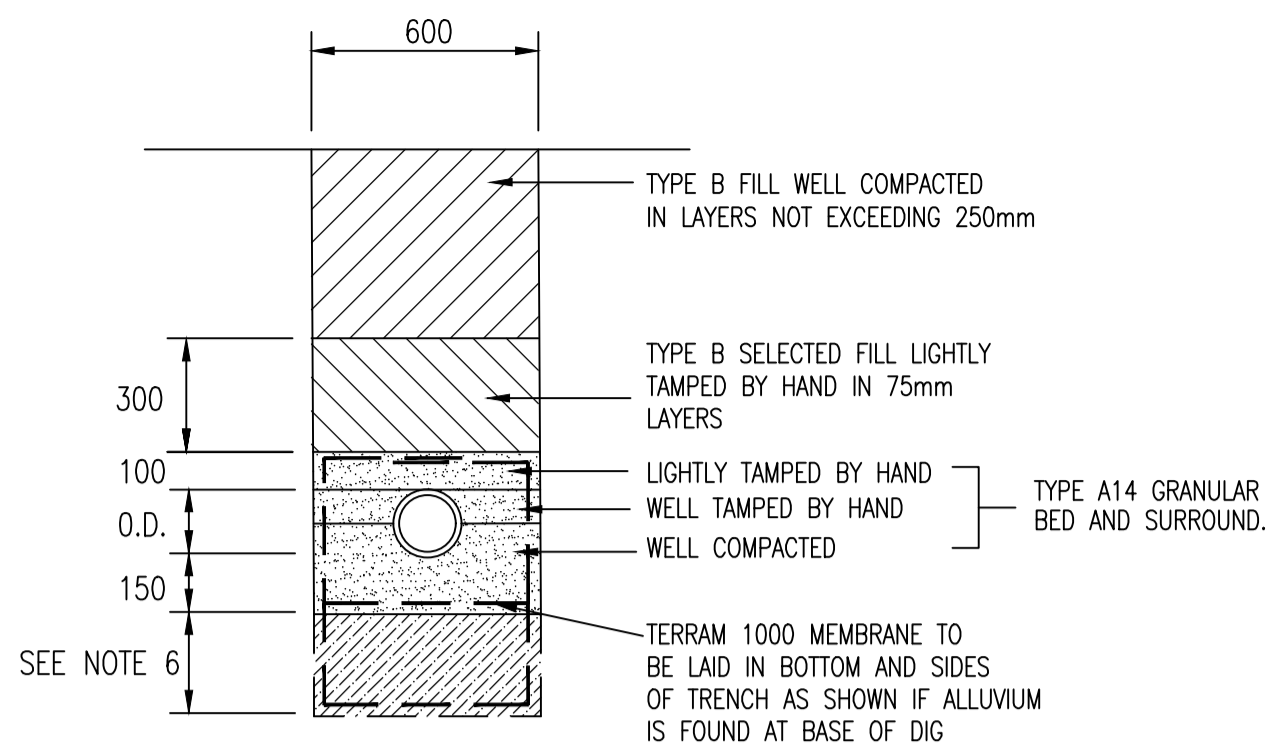
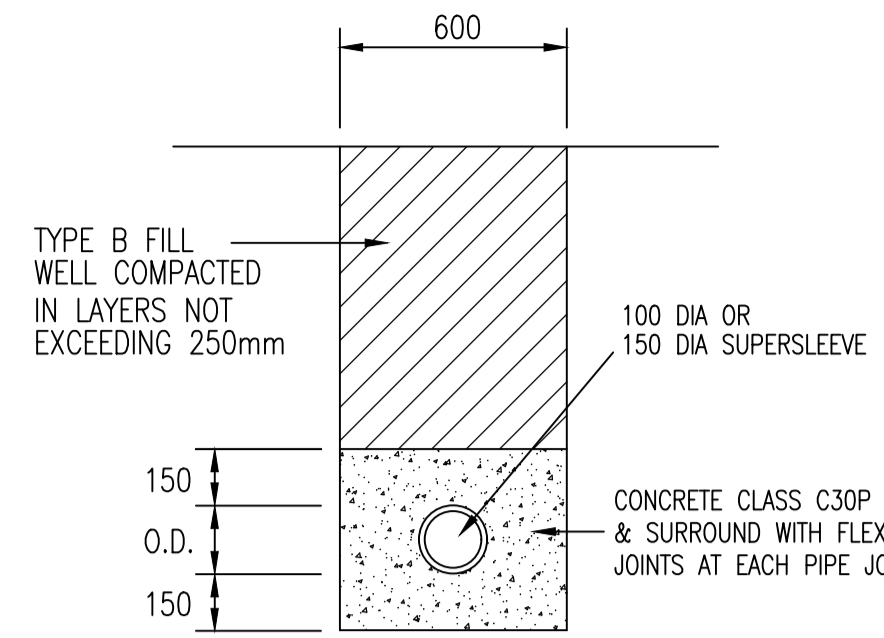


**HEAVY DUTY RODDING EYE DETAIL**  
SCALE 1:20



**PIPE BEDDING DETAIL - TYPE 1**



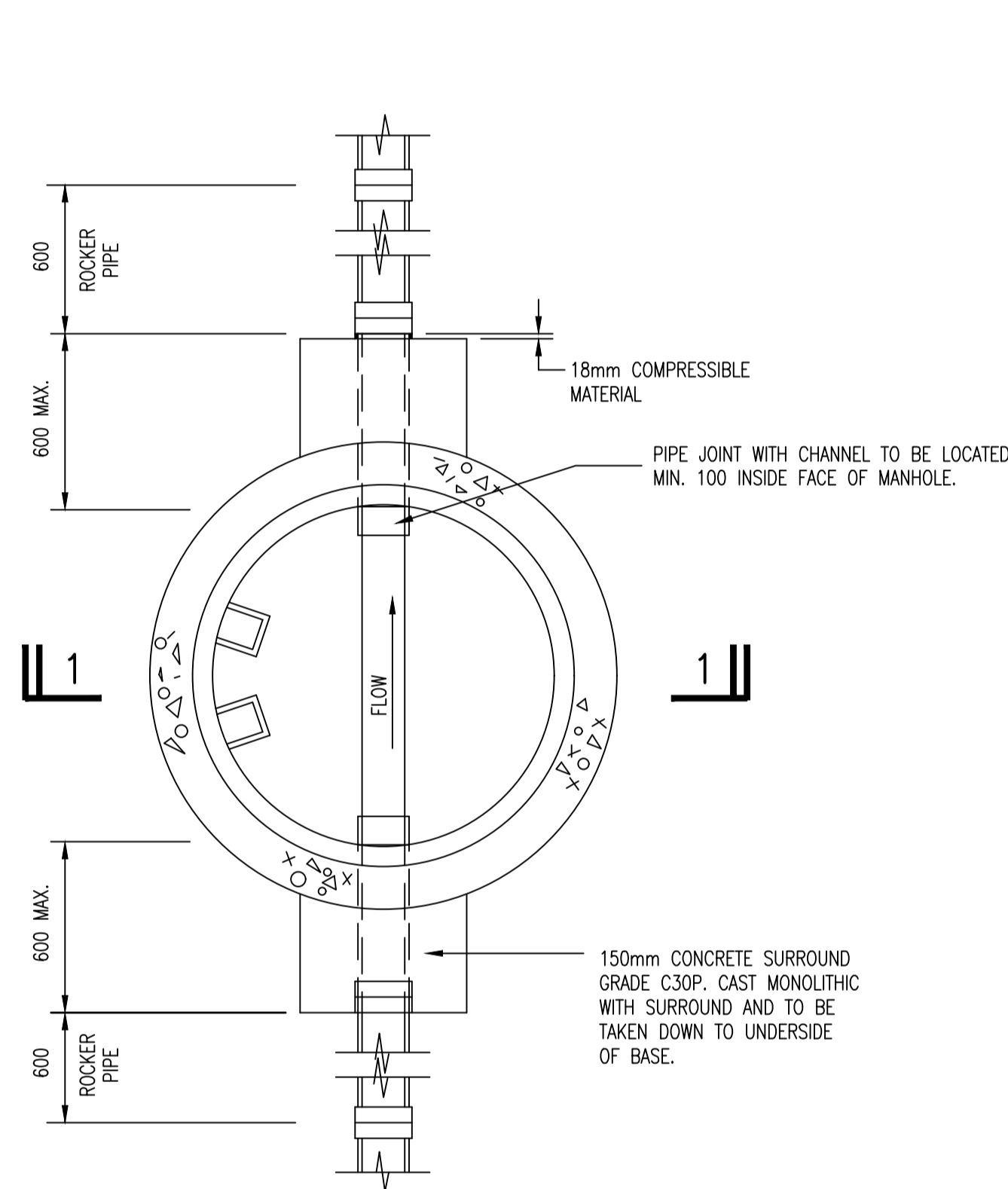
**PIPE BEDDING DETAIL - TYPE 2**  
PIPE BEDDING DETAIL FOR COVER TO PIPES  
LESS THAN 900mm IN TRAFFICKED AREAS

PIPE SIZE	TRENCH WIDTH
150 DIA. =	600mm
225 DIA. =	700mm
300 DIA. =	750mm
375 DIA. =	1050mm
450 DIA. =	1150mm

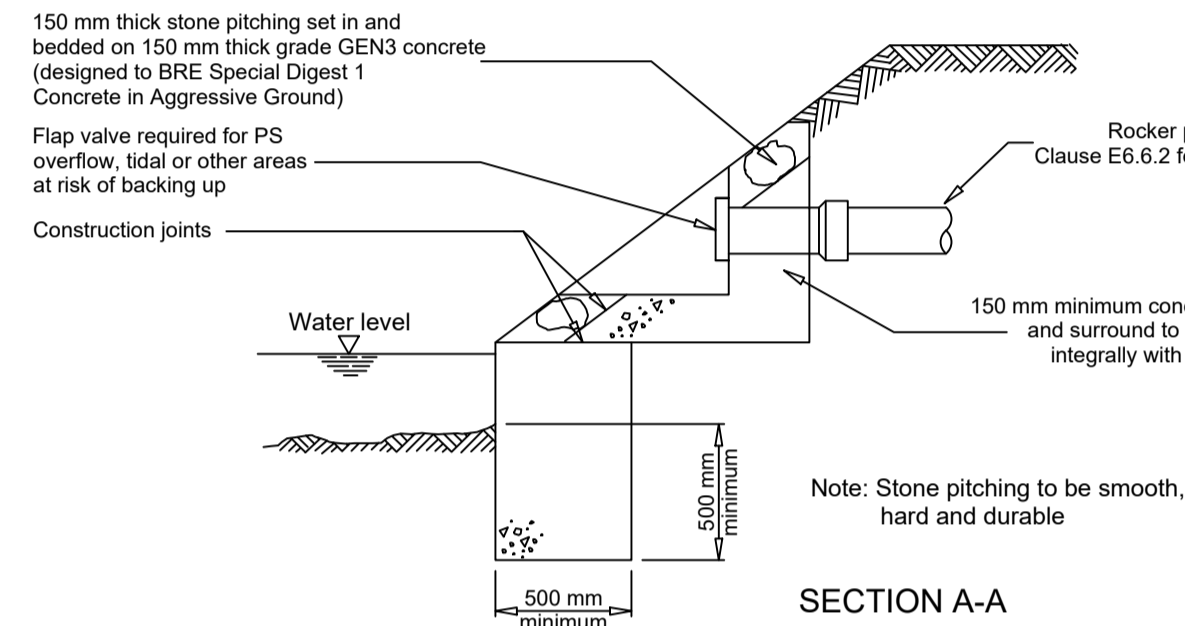
**PIPE TRENCH TABLE**

- NOTES:**
- THIS DRAWING IS COPYRIGHT AND SHOULD NOT BE REPRODUCED WITHOUT APPROVAL.
  - THIS DRAWING TO BE READ IN CONJUNCTION WITH THE ARCHITECTS DRAWINGS. ANY DISCREPANCIES ARE TO BE BROUGHT TO THE ATTENTION OF BOTH PARTIES IMMEDIATELY.
  - ANY DIMENSIONS/LEVELS INDICATED 'ref.' REFER TO ASSUMED/EXISTING DIMENSIONS WHICH ARE TO BE SITE CHECKED PRIOR TO THE COMMENCEMENT OF ANY WORK.

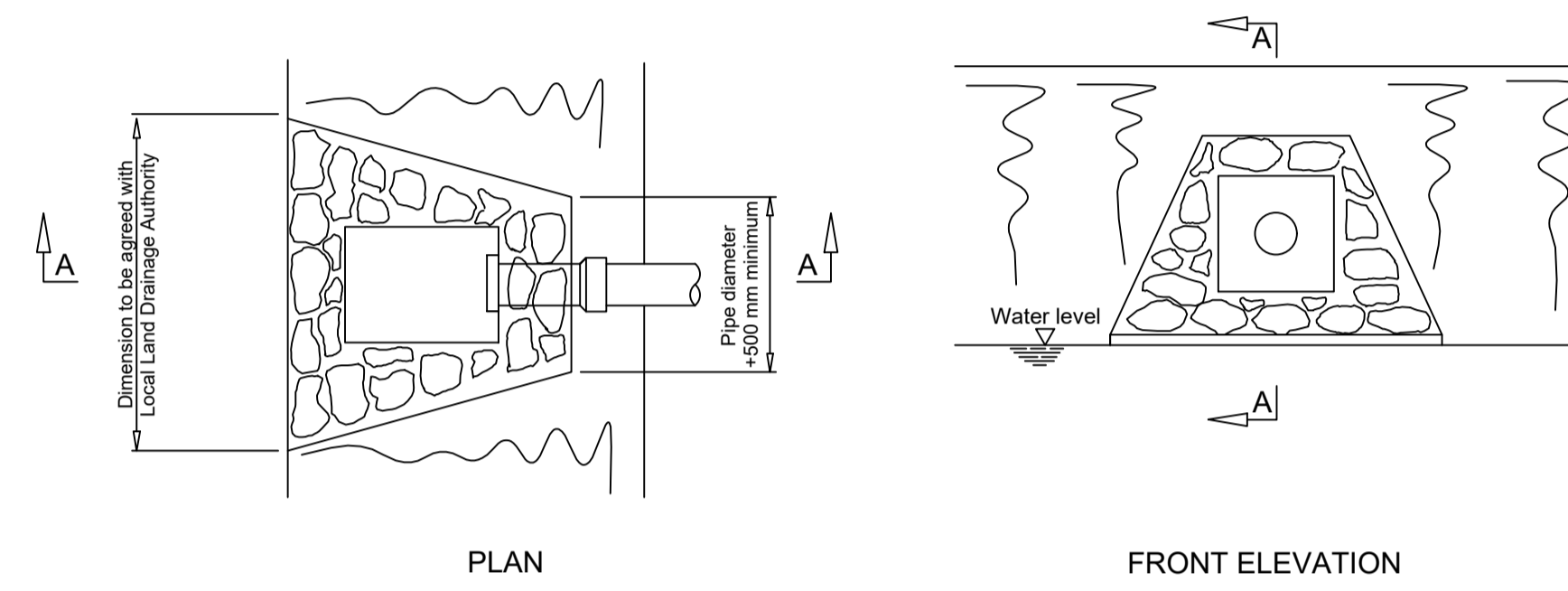
**NOTE:**  
ALL ACCESS COVERS & FRAMES WITHIN THE BOATYARD AREA ARE TO BE GRADE F900.



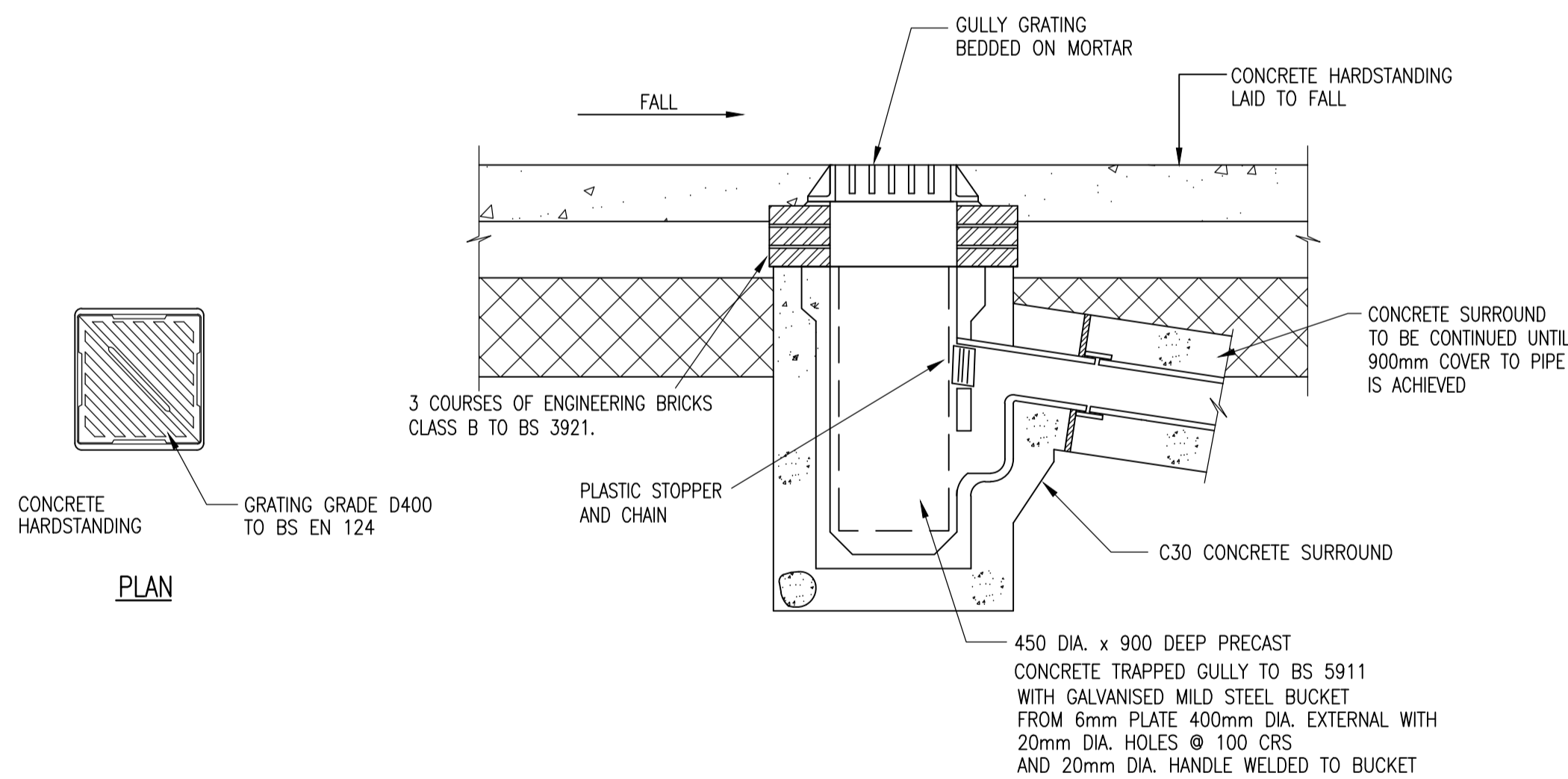
**PLAN ON MANHOLE TYPE B.**  
(CATCHPIT MANHOLE WITH 300mm DEPTH SUMP BELOW LOWEST INVERT LEVEL)  
SCALE 1:20



**SECTION A-A**

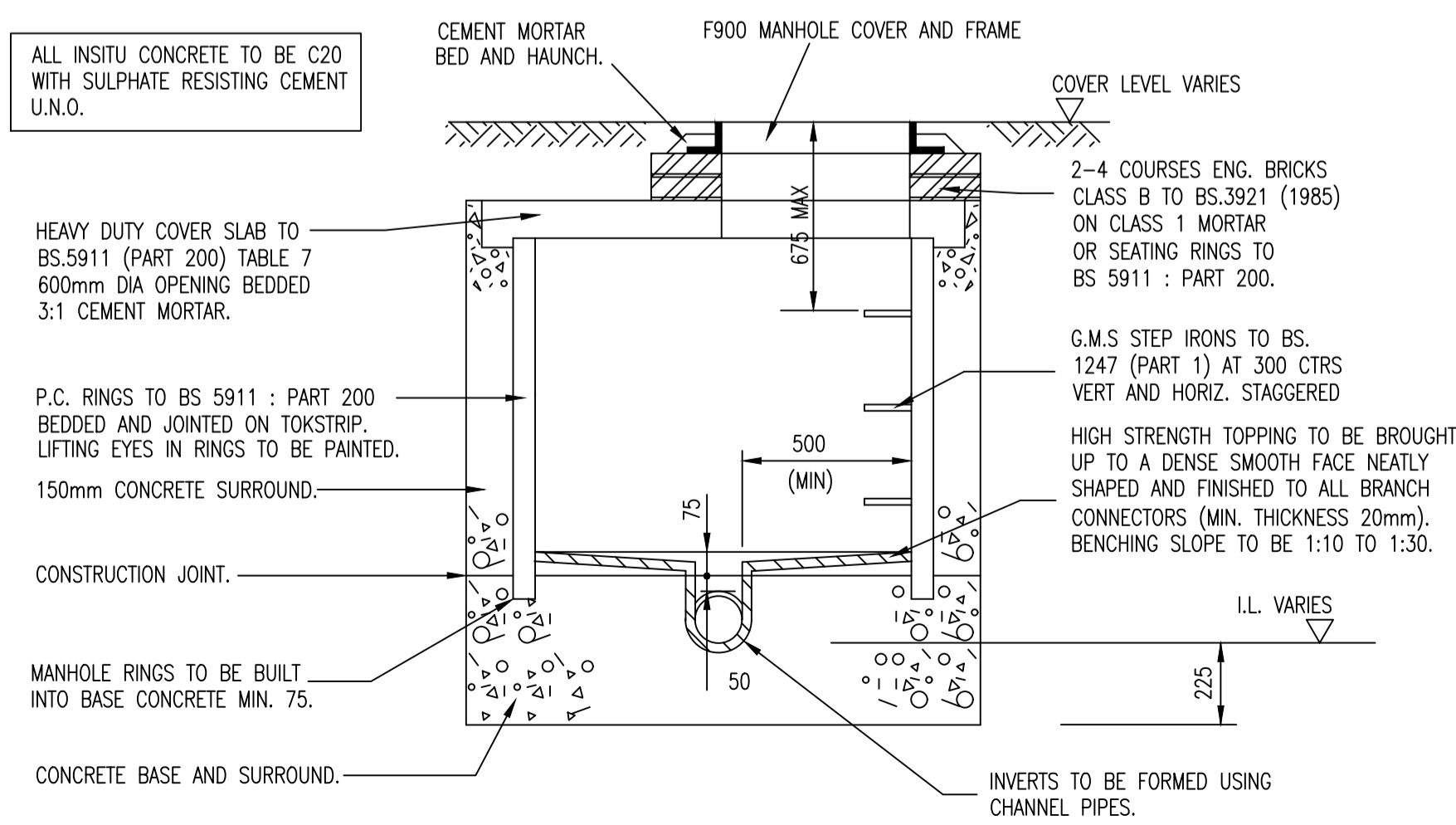


**TYPICAL OUTFALL DETAILS**  
Suitable for outfall pipes of less than 350 mm  
Not to scale, dimensions in millimetres



**WASHDOWN GULLY.**

**TENDER**



**SECTION 1 - 1**  
SCALE 1:20

T1	TENDER	HDL/01.24	HDL/01.24	HDL/01.24
Version	Amendment	Revised by and date	Checked by and date	Approved by and date
ORIGINAL DRAWING SIZE - A1		X-REFS: .		
CAD REF.		.		

	Client	COWES HARBOUR COMMISSION		
	Project	KINGSTON WHARF, EAST COWES, IOW		
	Drawing Title	BOATYARD DRAINAGE DETAILS - SHEET 1		
	Purpose	TENDER	Drawn HDL	Scale 1:20 @ A1
Issuing Office	SWANMORE	Designed	Drawn	Version
Telephone	01489 893 596	Drawing Number	23-4162-2151	T1