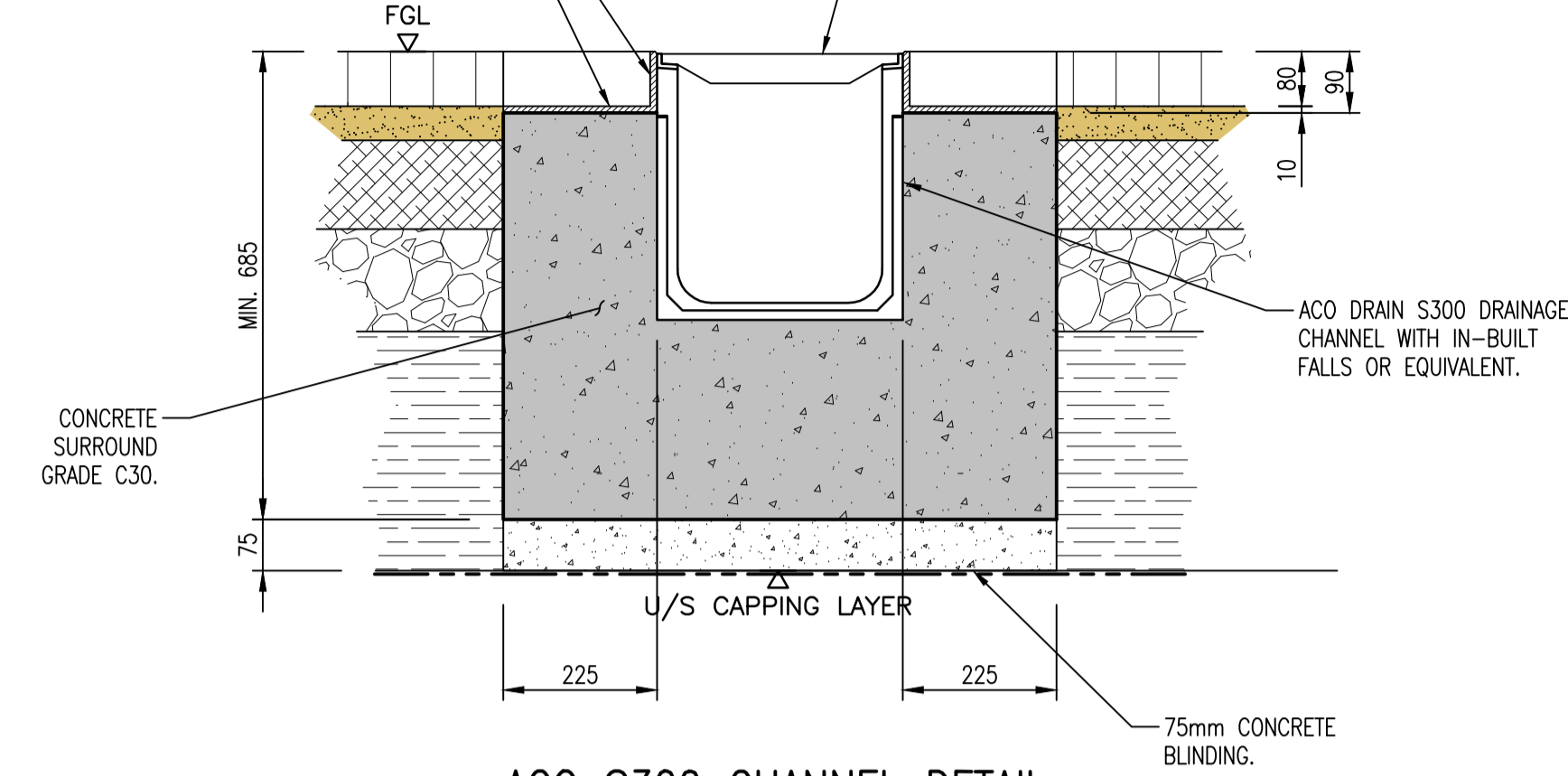
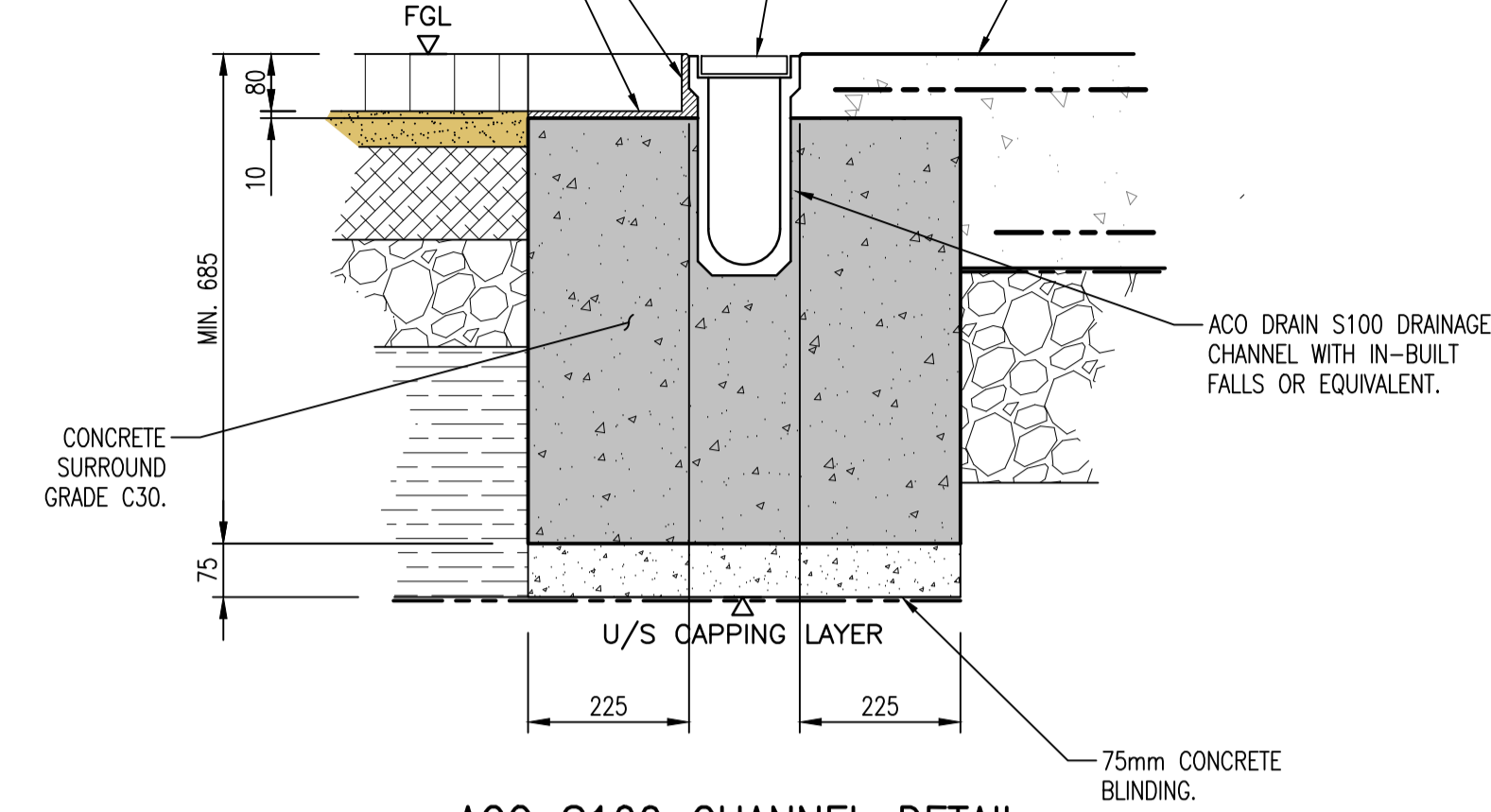


THE CHANNEL MUST BE SUPPORTED LATERALLY. THEREFORE BLOCKS MUST BE RESTRAINED FROM MOVEMENT BY SECURELY BEDDING USING A POLYMER MODIFIED MORTAR FOR BED AND PERPENDICULAR JOINTS (FOR EXAMPLE RONAFIX MORTAR MIX C FROM RONACRETE: TEL 01279 638700).

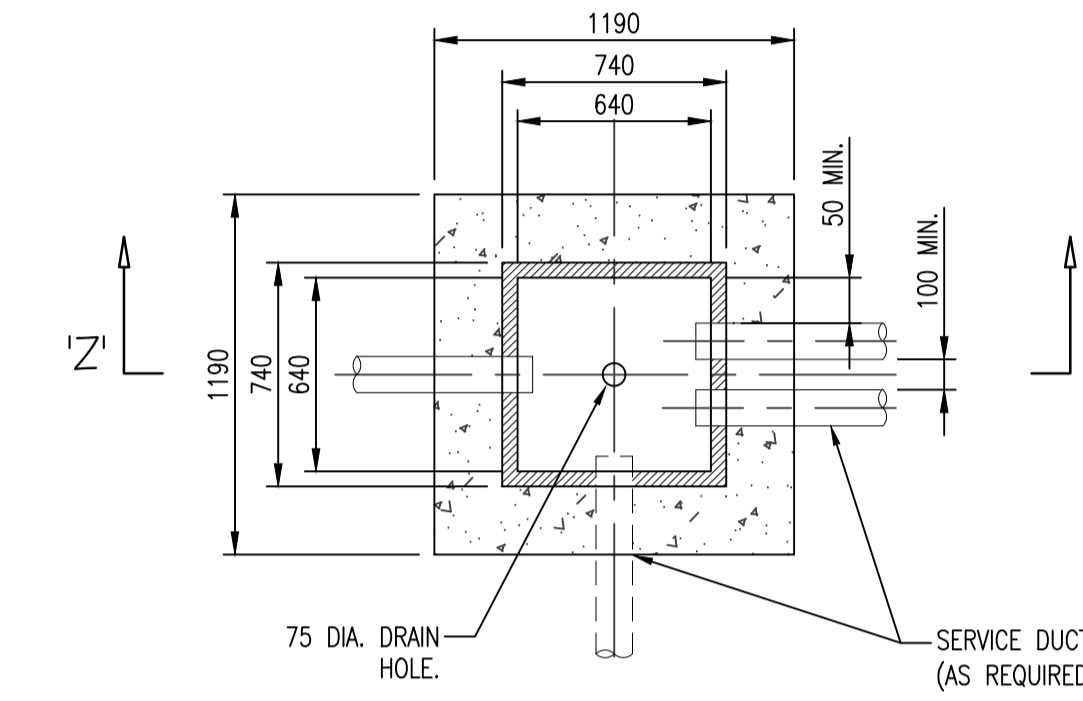
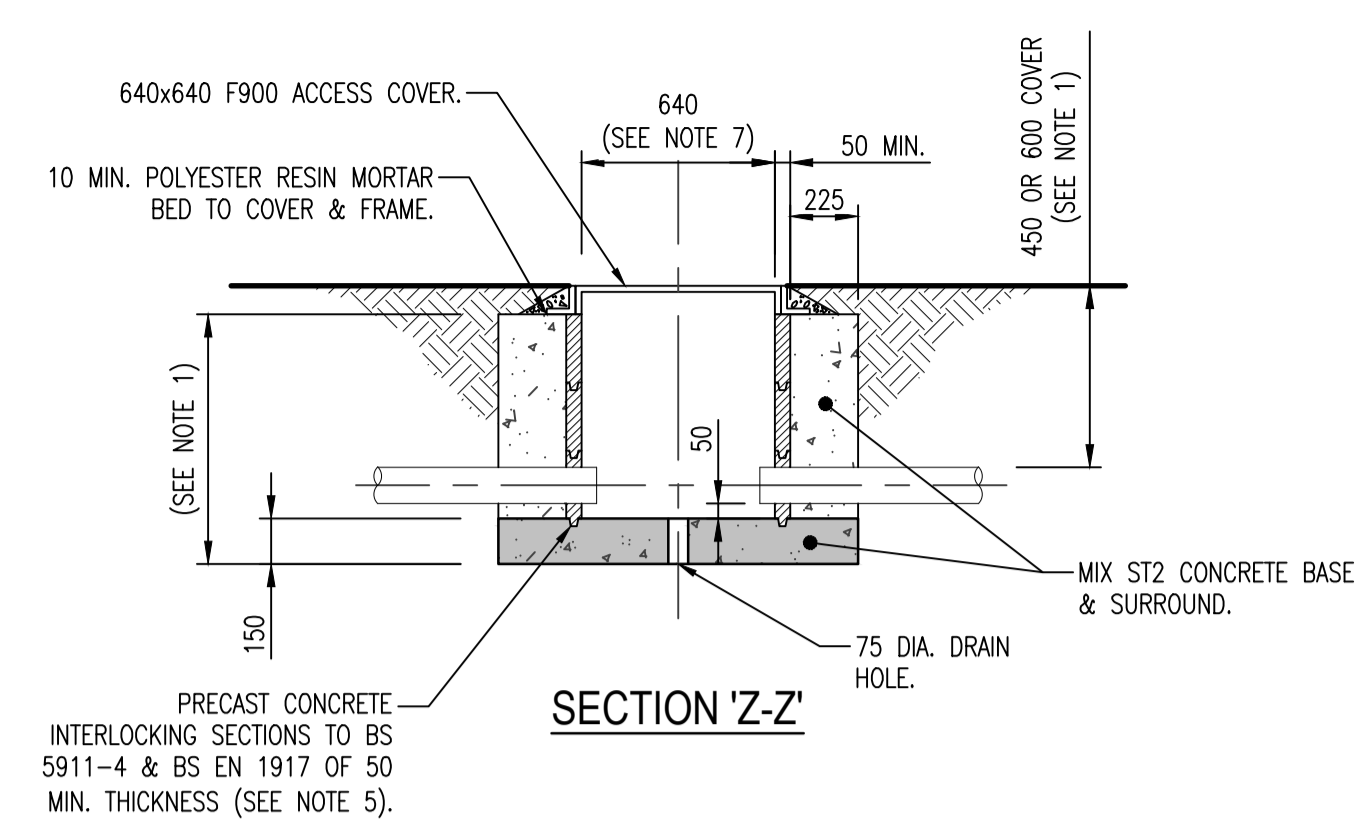


**ACO S300 CHANNEL DETAIL.**  
SCALE 1:10

THE CHANNEL MUST BE SUPPORTED LATERALLY. THEREFORE BLOCKS MUST BE RESTRAINED FROM MOVEMENT BY SECURELY BEDDING USING A POLYMER MODIFIED MORTAR FOR BED AND PERPENDICULAR JOINTS (FOR EXAMPLE RONAFIX MORTAR MIX C FROM RONACRETE: TEL 01279 638700).



**ACO S100 CHANNEL DETAIL.**  
SCALE 1:10



**TYPICAL DRAWPIT TYPE 1 (DP1).**  
REFER TO DRG No 23-4162-2101 FOR LOCATIONS.  
SCALE 1:25

**DRAWPIT TYPE 1 NOTES.**  
1. DEPTH OF DRAWPIT SHALL BE DICATED BY DEPTH OF DEEPEST DUCT ENTERING THE DRAWPIT. (COVER TO CARRIAGEWAY DUCTS SHALL BE 600 MIN., COVER TO VERGE DUCTS SHALL BE 450 MIN.) WHERE THE NUMBER OF DUCTS SPECIFIED CANNOT BE ARRANGED AT ONE DEPTH, THE DEPTH OF THE DRAWPIT SHALL BE INCREASED SUCH THAT THE VERTICAL CLEARANCE BETWEEN THE DUCT LAYERS IS 100 MIN.

**NOTES:**

1. THIS DRAWING IS COPYRIGHT AND SHOULD NOT BE REPRODUCED WITHOUT APPROVAL.
2. THIS DRAWING TO BE READ IN CONJUNCTION WITH THE ARCHITECTS DRAWINGS. ANY DISCREPANCIES ARE TO BE BROUGHT TO THE ATTENTION OF BOTH PARTIES IMMEDIATELY.
3. ANY DIMENSIONS/LEVELS INDICATED 'ref.' REFER TO ASSUMED/EXISTING DIMENSIONS WHICH ARE TO BE SITE CHECKED PRIOR TO THE COMMENCEMENT OF ANY WORK.

**NOTE:**  
ALL ACCESS COVERS & FRAMES WITHIN THE BOATYARD AREA ARE TO BE GRADE F900.

**TENDER**

T1	TENDER	HDL/01.24	HDL/01.24	HDL/01.24
Version	Amendment	Revised by and date	Checked by and date	Approved by and date
ORIGINAL DRAWING SIZE - A1		X-REFS: .		
CAD REF.		.		

<p><b>HDL</b> HAMILL DAVIES LIMITED Consulting Civil and Structural Engineers</p>	Client	COWES HARBOUR COMMISSION		
	Project	KINGSTON WHARF, EAST COWES, IOW		
	Drawing Title	BOATYARD DRAINAGE DETAILS - SHEET 2		
	Purpose	TENDER	Drawn HDL	Scale 1:10 @ A1
Issuing Office	SWANMORE	Designed	Drawn	Version
Telephone	01489 893 596	Drawing Number	23-4162-2152	T1