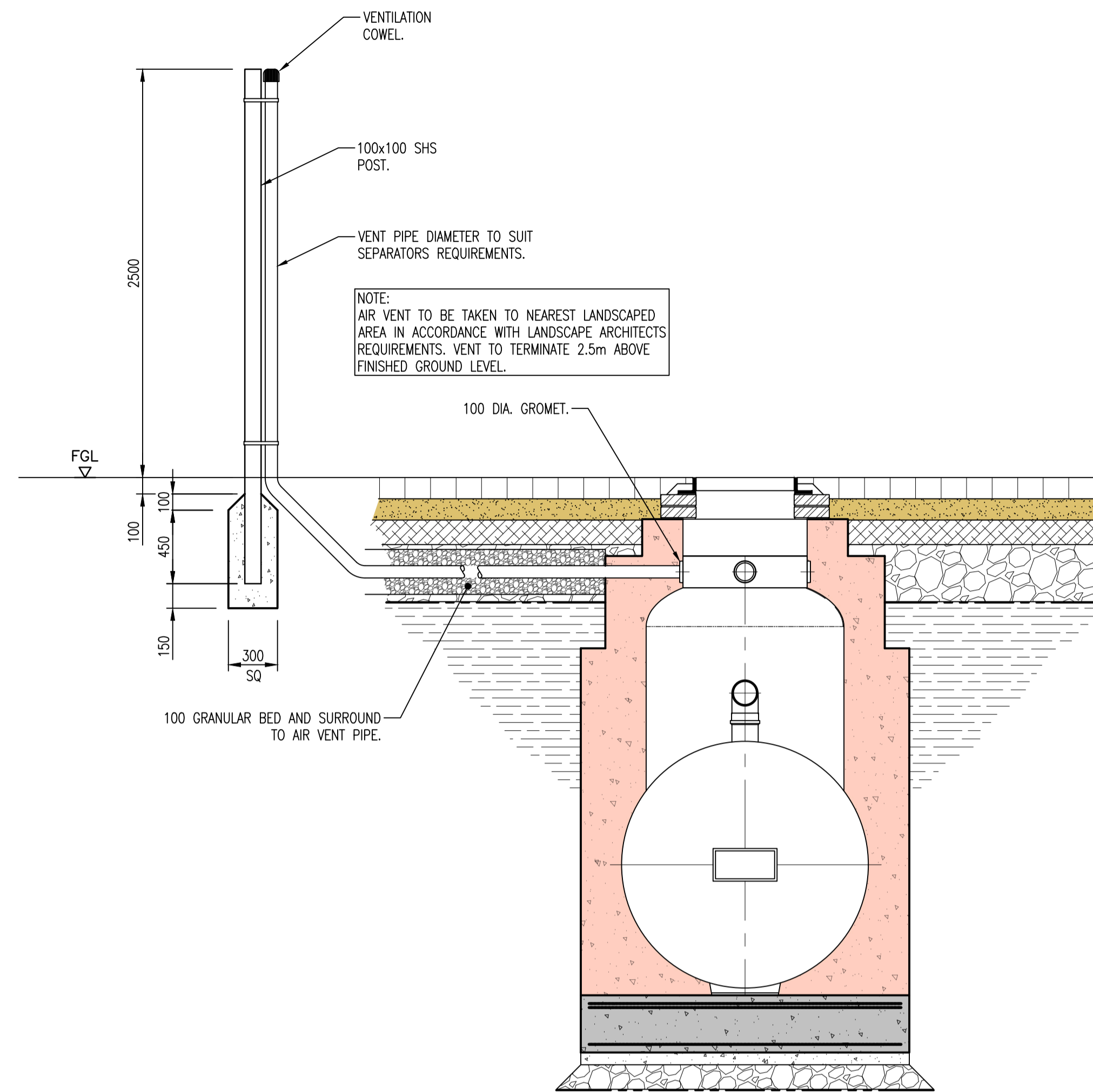
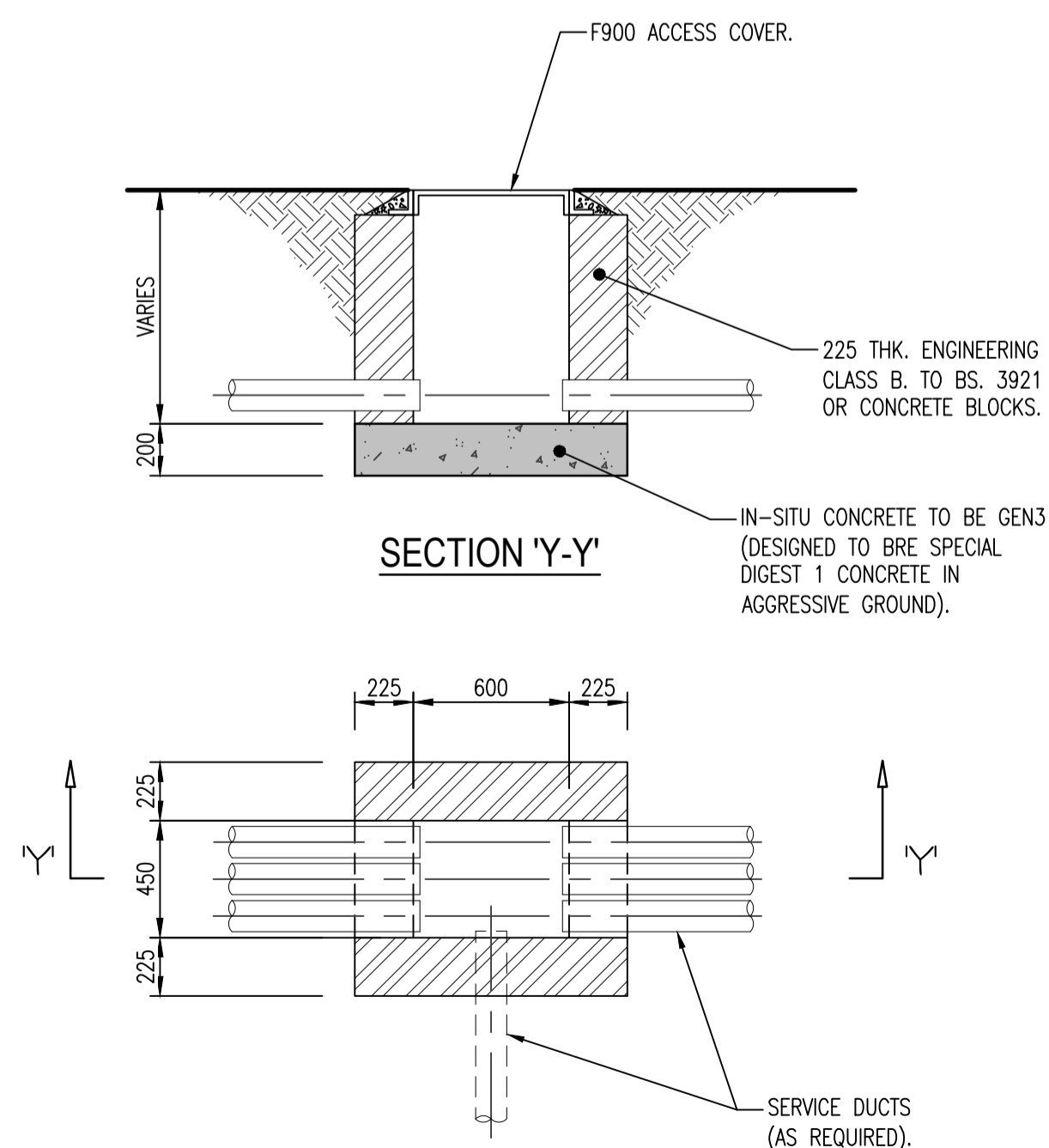


TYPICAL ELEVATION ON CONDER BYPASS SEPARATOR.
SCALE 1:25



TYPICAL ELEVATION ON SEPERATOR VENT PIPE.
SCALE 1:25



TYPICAL INSPECTION CHAMBER (IC1).
SCALE 1:25

- NOTES:
1. THIS DRAWING IS COPYRIGHT AND SHOULD NOT BE REPRODUCED WITHOUT APPROVAL.
 2. THIS DRAWING TO BE READ IN CONJUNCTION WITH THE ARCHITECTS DRAWINGS. ANY DISCREPANCIES ARE TO BE BROUGHT TO THE ATTENTION OF BOTH PARTIES IMMEDIATELY.
 3. ANY DIMENSIONS/LEVELS INDICATED 'ref.' REFER TO ASSUMED/EXISTING DIMENSIONS WHICH ARE TO BE SITE CHECKED PRIOR TO THE COMMENCEMENT OF ANY WORK.

NOTE:
ALL ACCESS COVERS & FRAMES WITHIN THE BOATYARD AREA ARE TO BE GRADE F900.

TENDER

T1	TENDER	HDL/01.24	HDL/01.24	HDL/01.24
Version	Amendment	Revised by and date	Checked by and date	Approved by and date
ORIGINAL DRAWING SIZE - A1		X-REFS: .		
CAD REF.		.		

<p>HDL HAMILL DAVIES LIMITED Consulting Civil and Structural Engineers</p>	Client	COWES HARBOUR COMMISSION		
	Project	KINGSTON WHARF, EAST COWES, IOW		
	Drawing Title	BOATYARD DRAINAGE DETAILS - SHEET 3		
	Purpose	TENDER	Drawn HDL	Scale 1:20 @ A1
Issuing Office	SWANMORE	Designed	Drawing Number	Version
Telephone	01489 893 596		23-4162-2153	T1