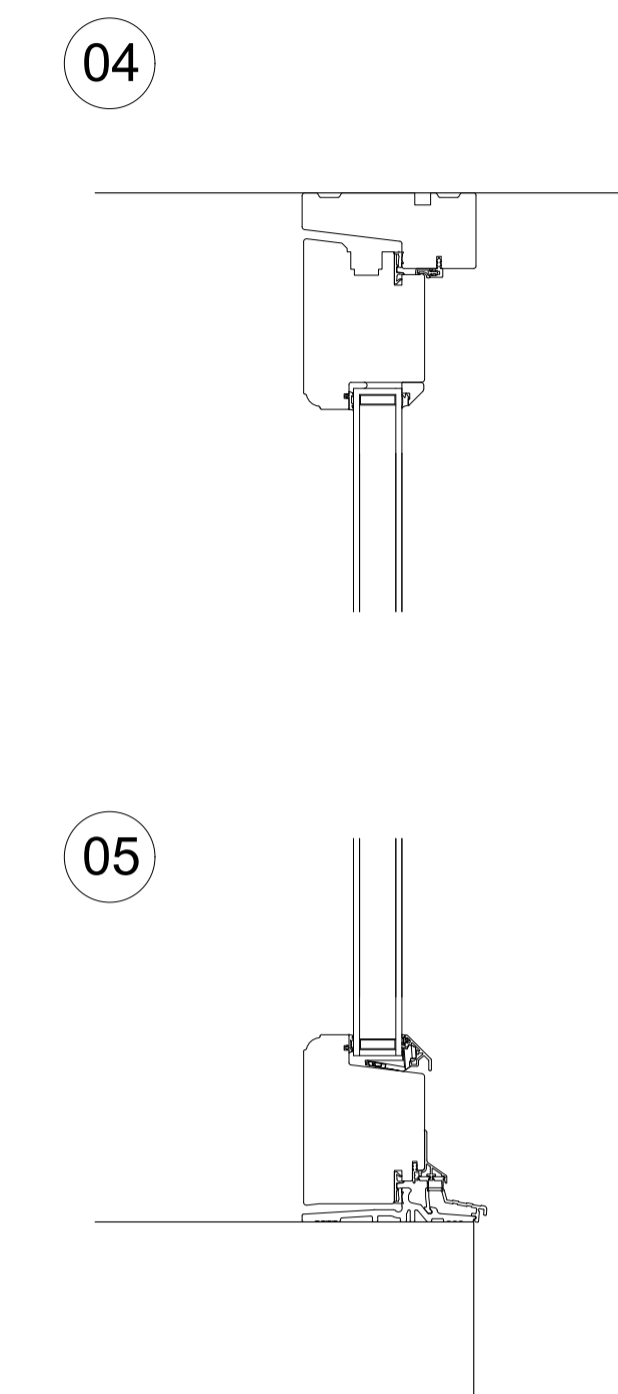
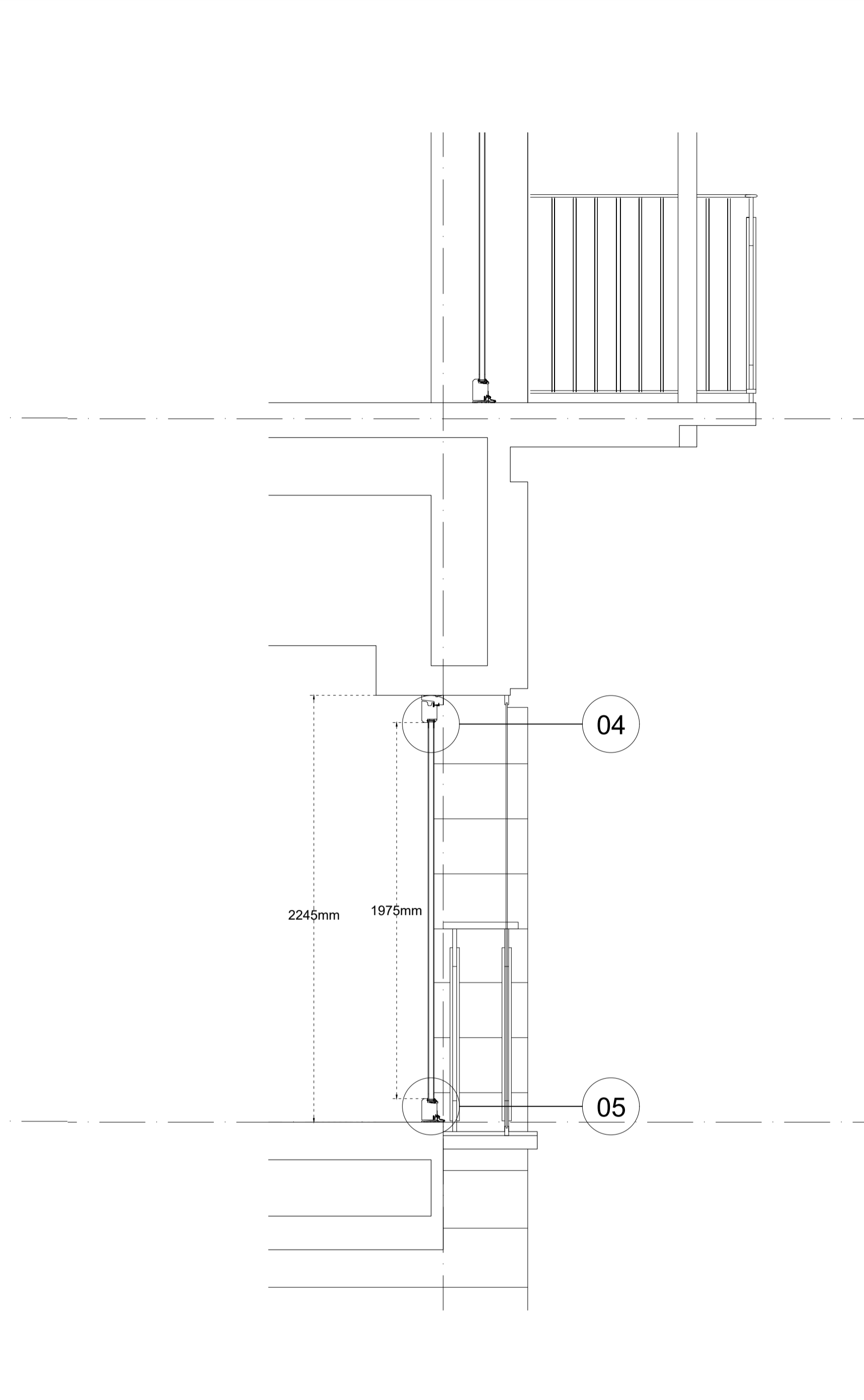
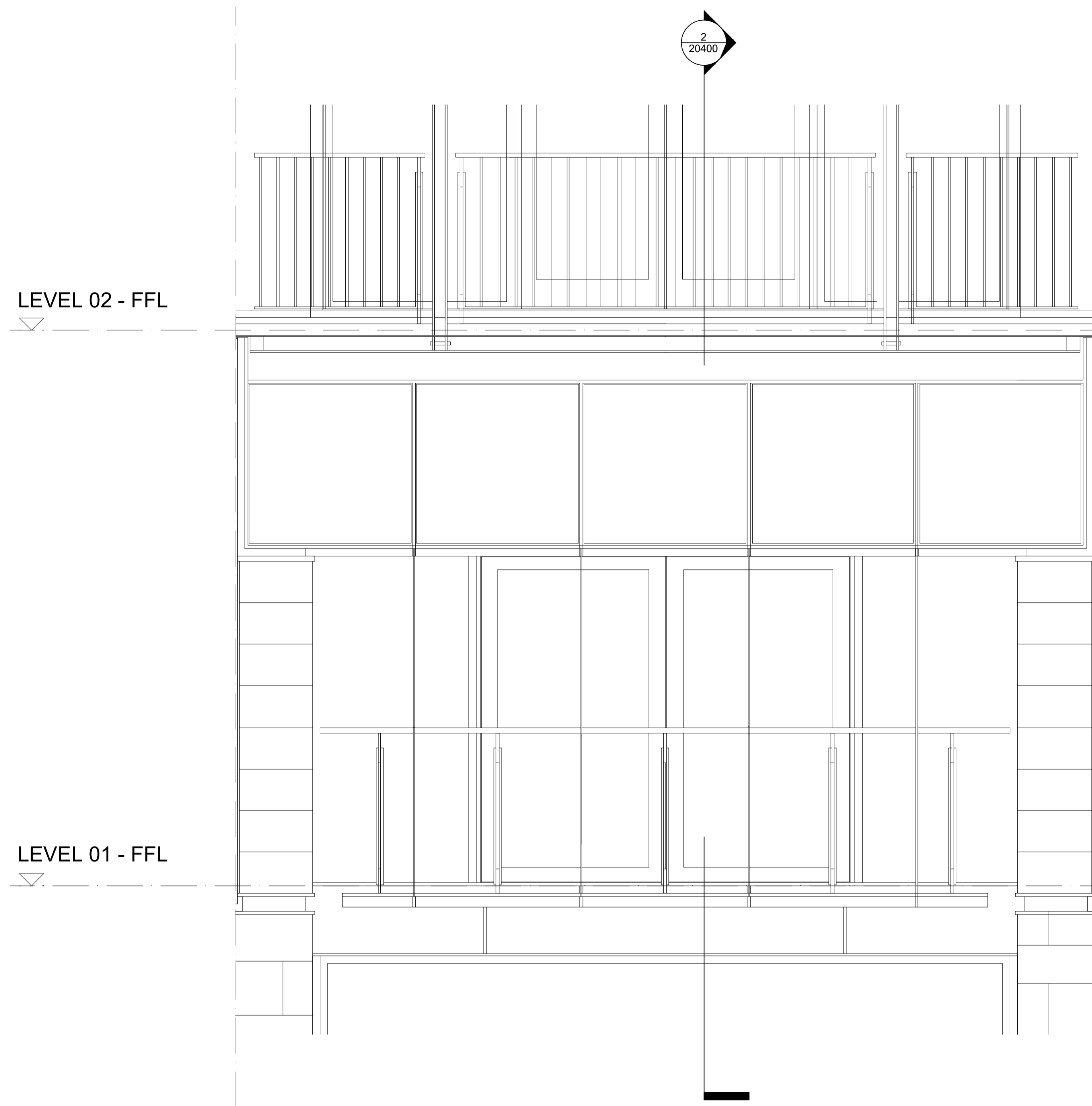


Do not scale from this drawing. All dimensions to be checked on site. All omissions and discrepancies to be reported to the Architect immediately

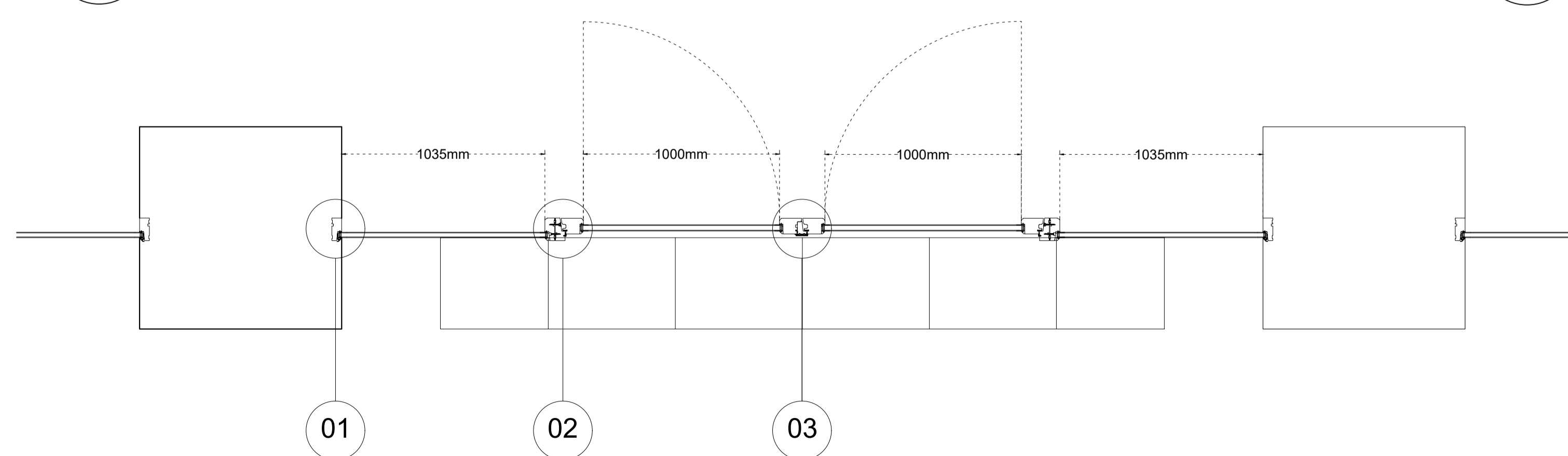
This work is copyright and shall not be reproduced or used for any other purpose without the written permission of Squire and Partners.



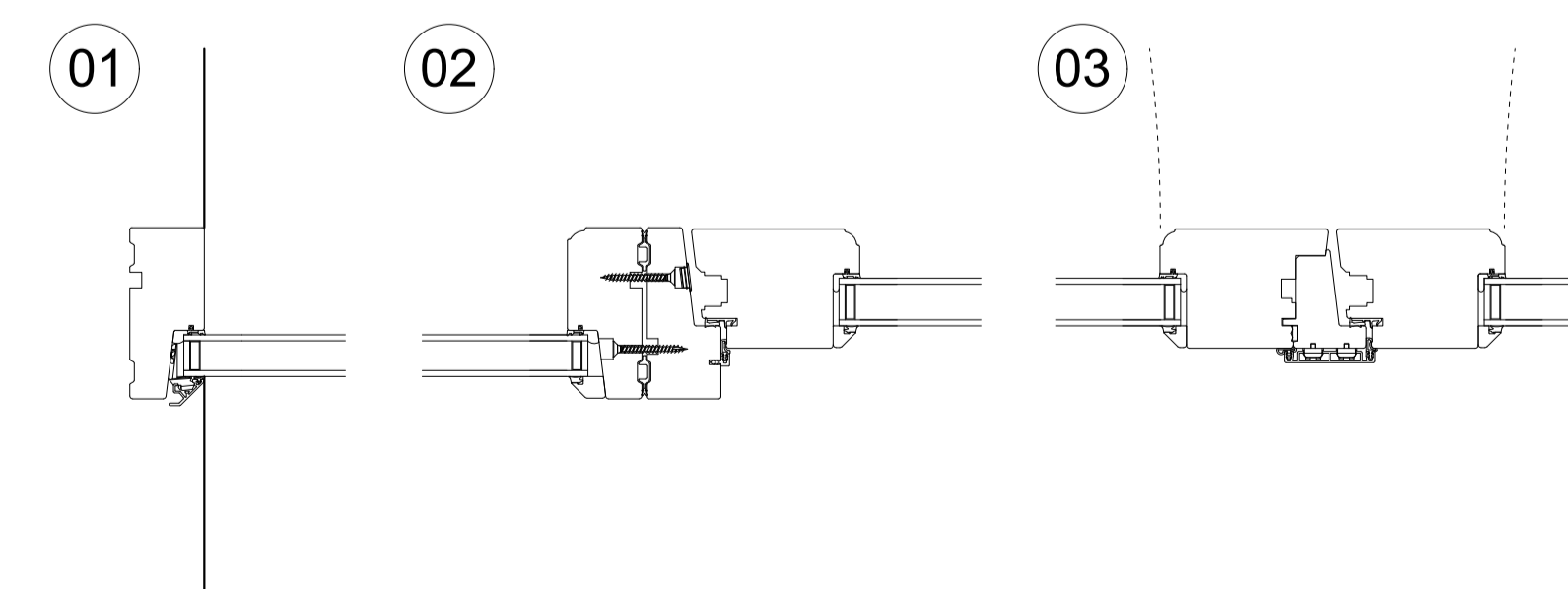
3 Details - Section - First Floor
1:5

1 Bay Study - Elevation - First Floor
1:20

2 Bay Study - Section - First Floor
1:20



4 Bay Study - Plan - First Floor
1:20



5 Details - Plan - First Floor
1:5

Project Date CHK Rev

SQUIRE & PARTNERS

Squire and Partners LLP
The Department Store
248 Ferndale Road, London SW9 8FR
T: 020 7278 5555
info@squireandpartners.com
www.squireandpartners.com

Project
Brook House Windows

Title
**Proposed First Floor Bay Study - Park Lane
Hardwood Frame**

Status
Planning

Drawn	Date	Scale @ ISO A1	Job Number
KDa	08/12/2023	1:20 / 1:5	23105

Drawing Number	Revision
ZZ-01-PL-A-20400	-