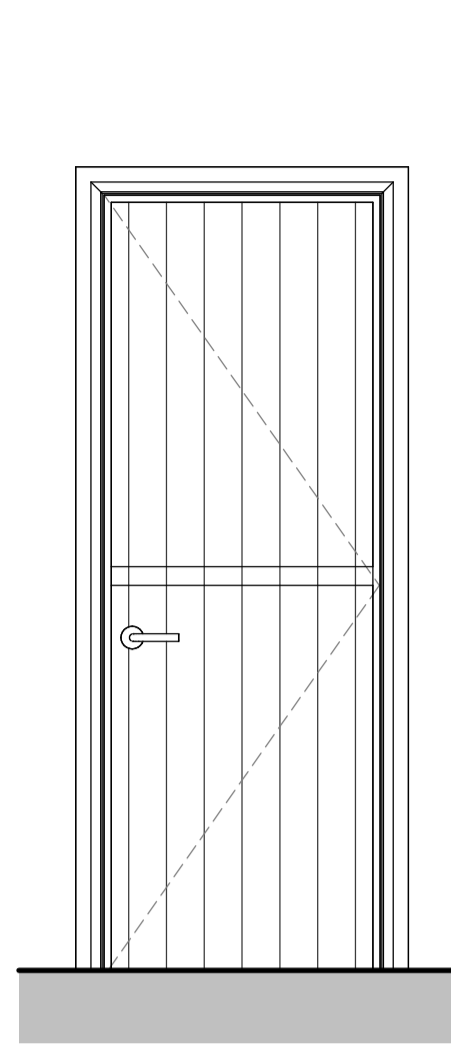


Copyright:

This drawing is the sole copyright of brown + company any reproduction in any form is forbidden unless permission is granted in writing.

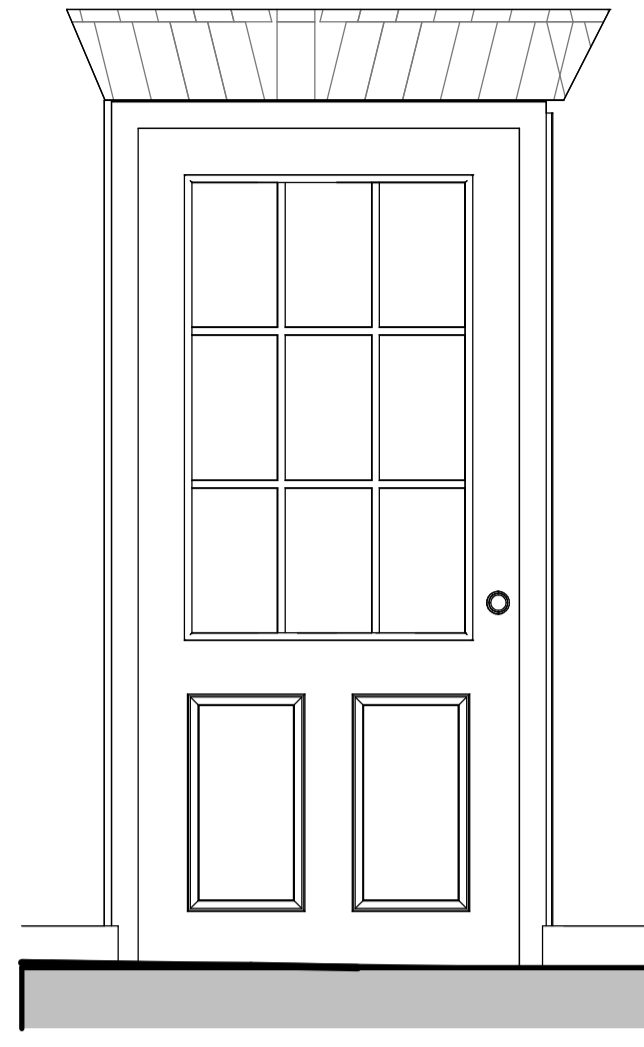
Do not scale from this drawing, any discrepancies on site should be brought to the attention of brown + company

Work and materials must comply with the current building regulations and any relevant codes of practice, and must be read in conjunction with the building specification and any other consultants or sub-contractor information.



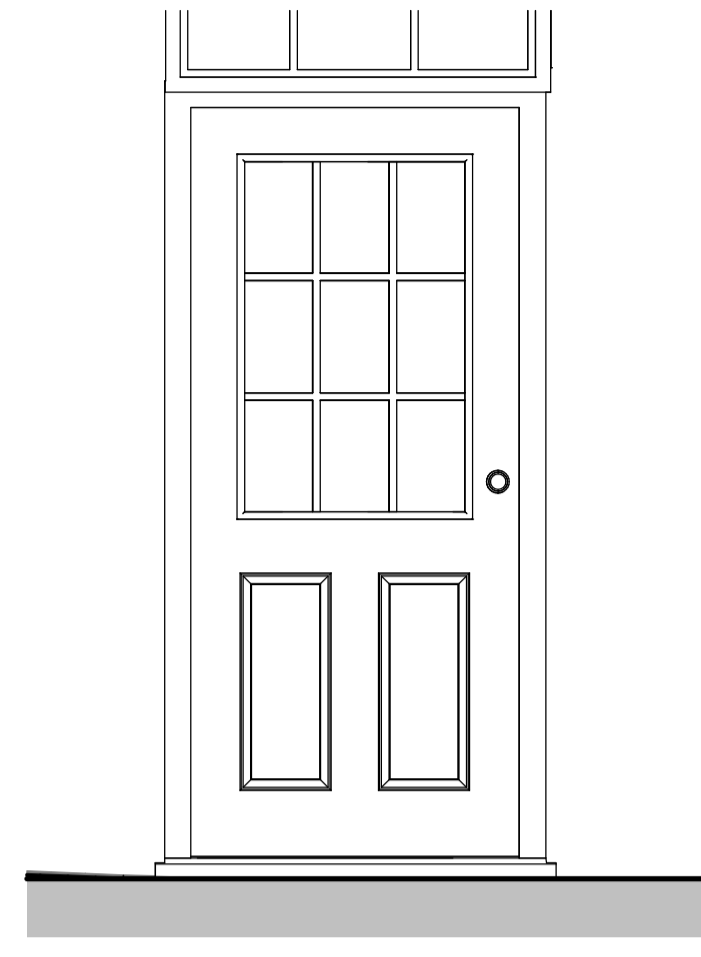
Door Type A

New timber internal door, timber panelled.



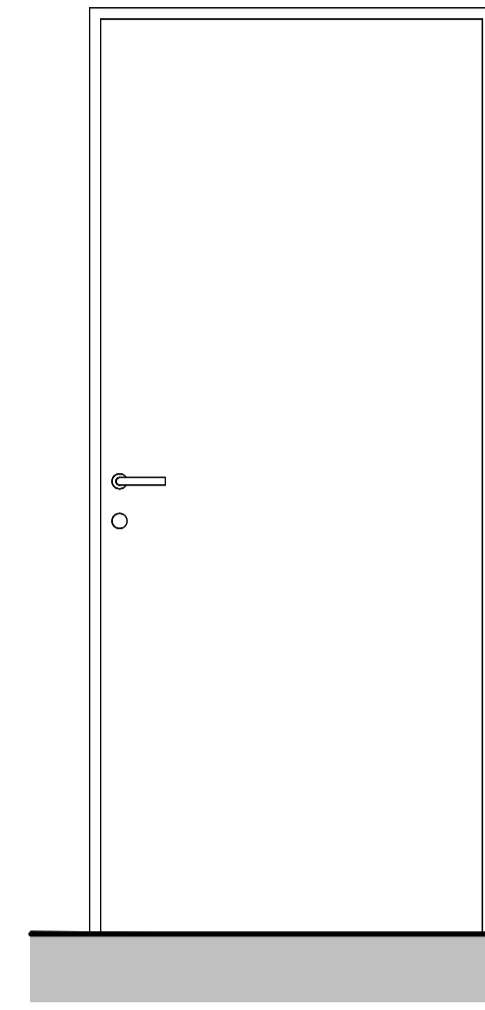
Door Type B

New timber external door, glazed upper panels with timber panels below.

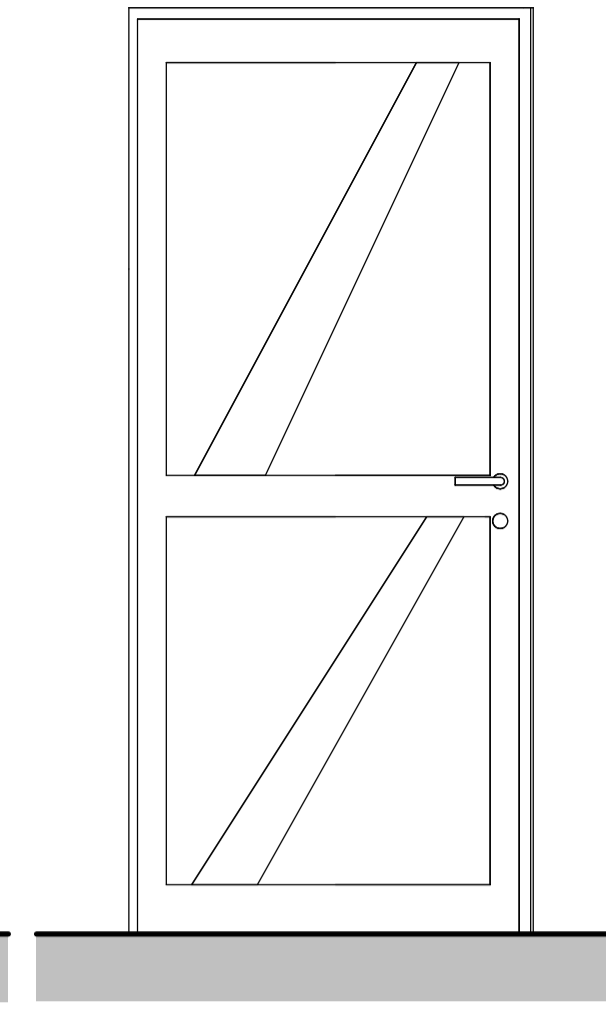


Door Type C

New timber external door, full height glazed panels.



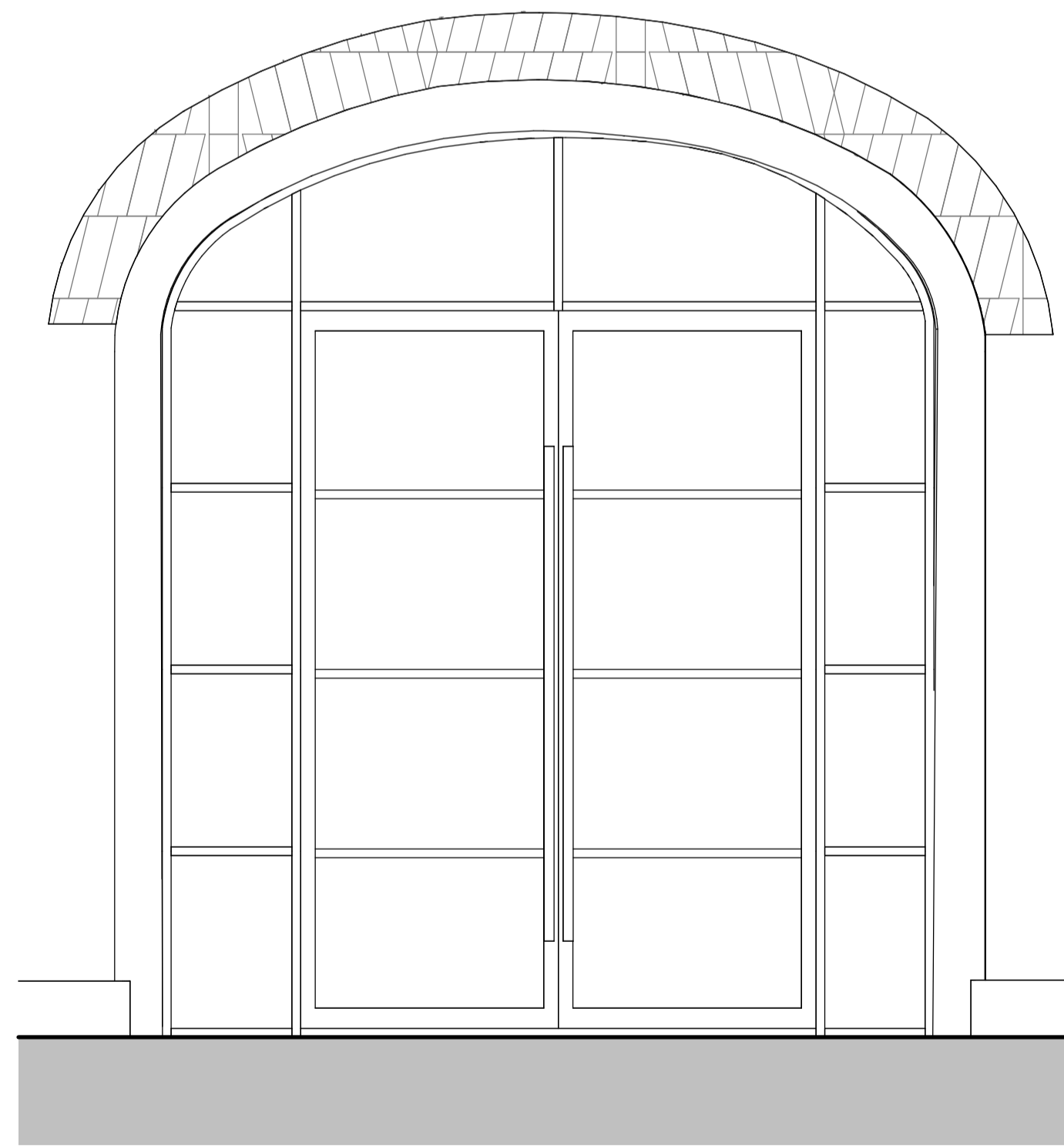
front



back

Door Type E

Solid timber door to match existing to retail unit



Door Type D

New glazed crittall style screen with glazed doors, black framed clear glazing.

Door Schedule		
Mark	Door Type	Comments
D.00.A.01	A	New proposed timber door in new opening.
D.00.A.02	A	New proposed timber door in existing opening.
D.00.A.03	C	New proposed timber door in new opening.
D.00.A.04	A	New proposed timber door in new opening.
D.00.E.01	A	New proposed timber door in extension building.
D.00.E.02	A	New proposed timber door in extension building.
D.00.E.03	A	New proposed timber door in extension building.
D.00.E.04	A	New proposed timber door in extension building.
D.00.E.05	A	New proposed timber door in extension building.
D.00.E.06	A	New proposed timber door in extension building.
D.00.E.07	A	New proposed timber door in extension building.
D.00.E.08	A	New proposed timber door in new opening.
D.00.E.09	A	New proposed timber door in new wall.
D.00.E.10	A	New proposed timber door in new wall.
D.00.E.11	E	New proposed timber door in new opening.
D.00.E.12	E	New proposed timber door in new opening.
D.00.M.01	A	New proposed timber door in new wall.
D.00.M.02	A	New proposed timber door in new wall.
D.00.M.03	A	New proposed timber door in new wall.
D.00.M.04	A	New proposed timber door in new wall.
D.00.M.05	A	New proposed timber door in new opening.
D.00.M.06	A	New proposed timber door in new opening.
D.00.NR.01	A	New proposed timber door in new opening.
D.01.A.01	A	New proposed timber door in new opening.
D.01.A.02	A	New proposed timber door in new wall.
D.01.A.03	A	New proposed timber door in existing opening.
D.01.A.04	A	New proposed timber door in new wall.
D.01.A.05	A	New proposed timber door in new wall.
D.01.A.06	A	New proposed timber door in new wall.
D.01.A.07	A	New proposed timber door in new wall.
D.01.A.08	A	New proposed timber door in new wall.
D.01.A.09	A	New proposed timber door in existing opening.
D.01.A.10	A	New proposed timber door in new wall.
D.01.A.11	A	New proposed timber door in new wall.
D.01.A.12	A	New proposed timber door in new wall.
D.01.A.13	A	New proposed timber door in new wall.
D.EX.02	B	New proposed door in existing opening, refer to type drawings for details.
D.EX.03	B	New proposed door in existing opening, refer to type drawings for details.
D.EX.04	B	New proposed door in existing opening, refer to type drawings for details.
D.EX.05	B	New proposed door in existing opening, refer to type drawings for details.
D.EX.06	B	New proposed door in existing opening, refer to type drawings for details.
D.EX.07	E	New proposed timber door in new opening.
D.EX.08	D	New glazed screen and door in new opening.
D.EX.09	B	New proposed door in existing opening, refer to type drawings for details.
D.EX.10	D	New glazed screen with external door in existing opening.
D.EX.11	B	New proposed door in existing opening, refer to type drawings for details.
D.EX.12	B	New proposed door in existing opening, refer to type drawings for details.
D.EX.13	B	New proposed door in existing opening, refer to type drawings for details.
D.EX.14	C	New proposed door in existing opening, refer to type drawings for details.
D.EX.15	C	New proposed door to replace window, existing opening to be extended.
D.EX.16	C	New proposed door to replace window, existing opening to be extended.
D.EX.17	E	New proposed timber door in new opening.
D.EX.18	E	New proposed timber door in new opening.
D.EX.20	D	New glazed screen with external door in new extension.
D.EX.21	D	New glazed screen with external door in existing opening. Original timber doors to be reinstated in front in existing position.
D.EX.21	B	New proposed door in new opening, refer to type drawings for details.
D.EX.22	D	New glazed screen with external door in existing opening. Original timber doors to be reinstated in front in existing position.
D.EX.22	B	New proposed door in new opening, refer to type drawings for details.
D.EX.23	D	New glazed screen with external door in existing opening. Original timber doors to be reinstated in front in existing position.
D.EX.24	D	New glazed screen with external door in existing opening.
D.EX.25	D	New glazed screen with external door in new opening.
D.EX.26	D	New glazed screen with external door in existing opening.
D.EX.27	D	New glazed screen and door in existing opening.
D.EX.28	D	New glazed screen and door in existing opening.
D.EX.29	D	New glazed screen and door in new opening.
D.EX.30	D	New glazed screen and door in existing opening.
D.EX.32	B	New glazed door in reinstated opening.
D.EX.33	D	New glazed door in reinstated opening.
D.EX.34	D	New glazed door in reinstated opening.
D.EX.35	D	New glazed door in new opening.

P01	15.12.23	Issued for planning	RM	NB
revision	date	description	drawn	checked

brown + company

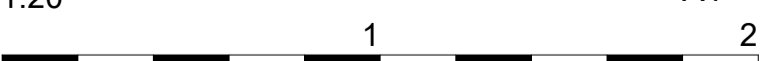
project:
Hotham Hall Estate
Hotham, York YO43 4UA

drawing:
External Details - Door Types

status:

Planning

scale: 1:20 Sheet size: A1



job number author zone level type role drawing number revision

23039 - BC - Z1 - XX - DR - A - 03-501 P01