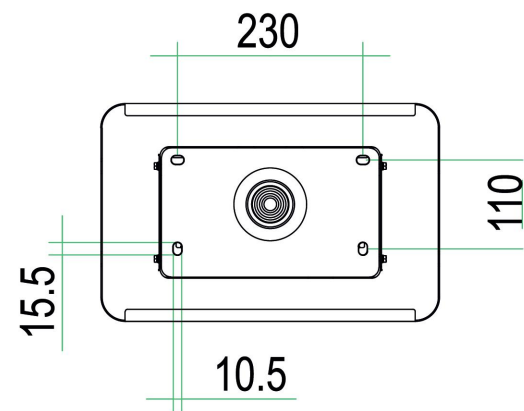
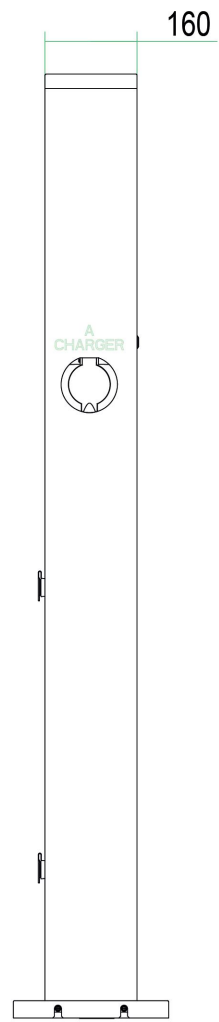


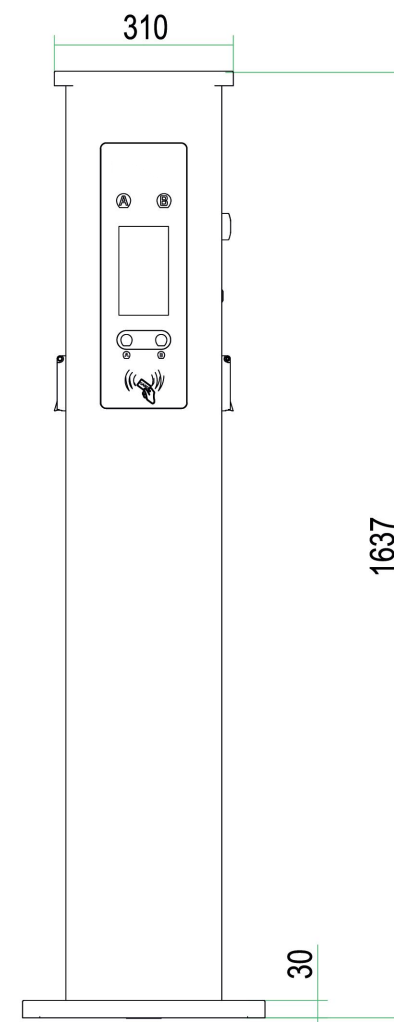
All dimension is in mm



Plan View



Side Elevation



Front Elevation

NOTES

DO NOT SCALE. Use annotated measurements only
Dimension in mm

LEGEND

Issue	Date	Comments
02	30/11/23	Layout revised
01	27/09/23	Initial issue

Drawn AA Approve DF Date 27/09/23

Drawing Status

PLANNING

Project: Hydroglen Solar Farm

Address: Glensough, Laurencekirk AB30 1HB

Client: James Hutton Institute

Title
Indicative EV Charger

Issue : 02

Scale N.T.S @A3

Figure 4.14

ITPenergised Offices
Bristol
33 Colston Avenue
BS1 4UA

