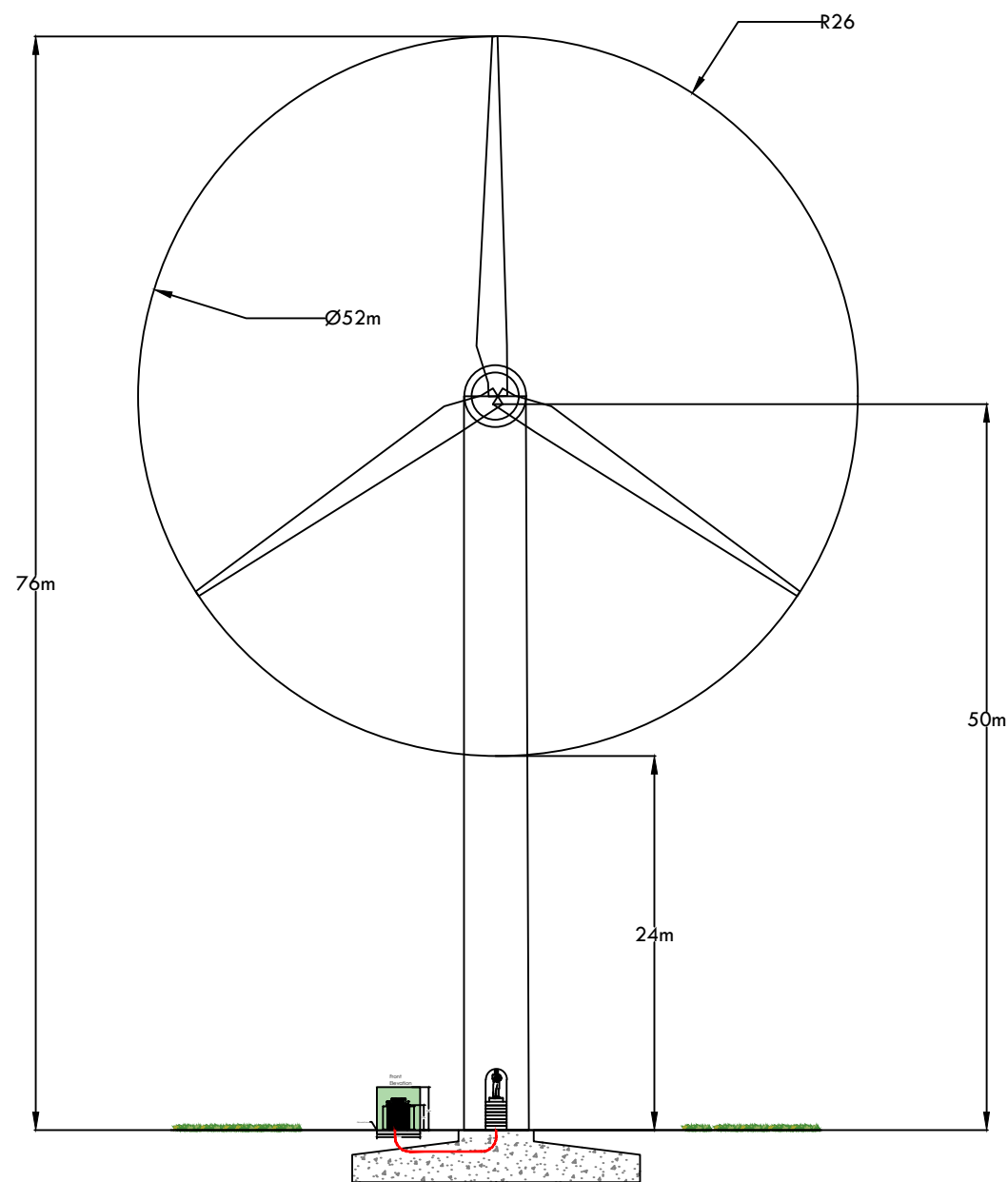
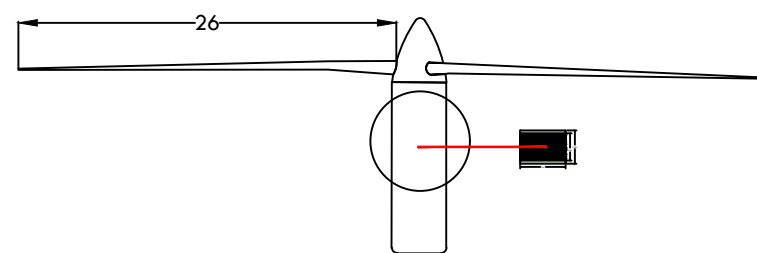


Typical Side Elevation



Front Elevation



Plan View

NOTES

1. DO NOT SCALE. Use annotated measurements only

LEGEND

02	29/11/23	Layout revised
01	09/10/23	Initial Issue
Issue	Date	Comments
Drawn	AA	Approved
		DF
Date	09/10/23	

Drawing Status

PLANNING

Project: Hydroglen Solar Farm

Address Glensaugh, Laurencekirk AB30 1HB

Client: James Hutton Institute

Title

Typical Wind Turbine Elevation

Scale 1:500 @A3

Issue

02

Figure 4.1

ITPenergised Offices
 Bristol
 33 Colston Avenue
 Bristol
 BS1 4UA

