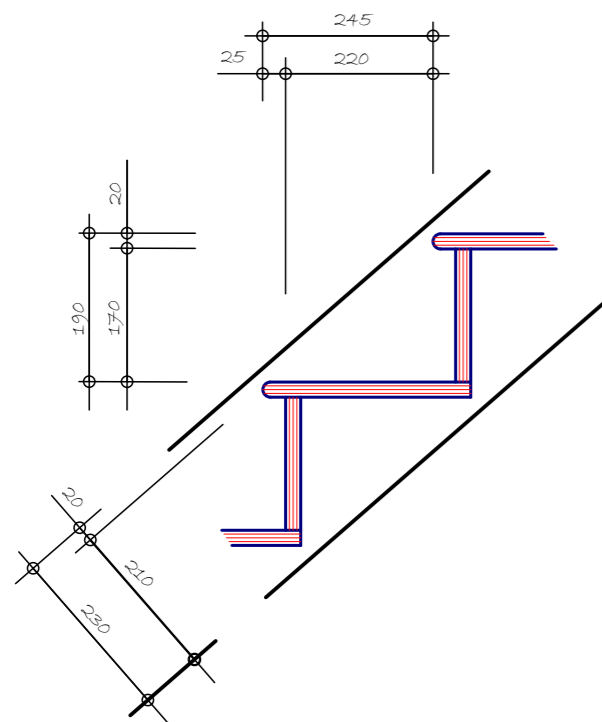


PLAN ON NEW LOFT STAIRCASE 1:20



75 X 50mm HAND RAILING
20 X 20mm SPINDLES @ 100 CRS

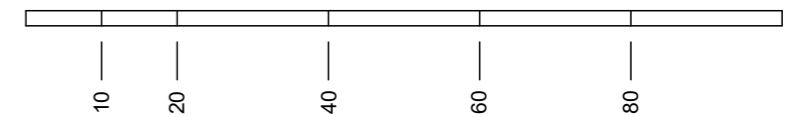
50mm MINIMUM TREAD WIDTH AT NARROW
END OF WINDERS

MAXIMUM 42 DEGREE STAIRCASE PITCH
20mm THICK GOING & RISER PIECES.
230 X 20mm THICK SRINGERS & 100 X 100mm
NEW POST

TYPICAL DETAILS OF STAIRS 1:10

OWNER

MR & MRS NICHOLSON □



SITE

8 CHERRY TREE ROAD
N29QL

PROPOSED SINGLE STOREY REAR
EXTENSION & LOFT CONVERSION

DRAWING No 04/07B 24/0236/HSE

DATE

SCALE 1:10 1:20 A3