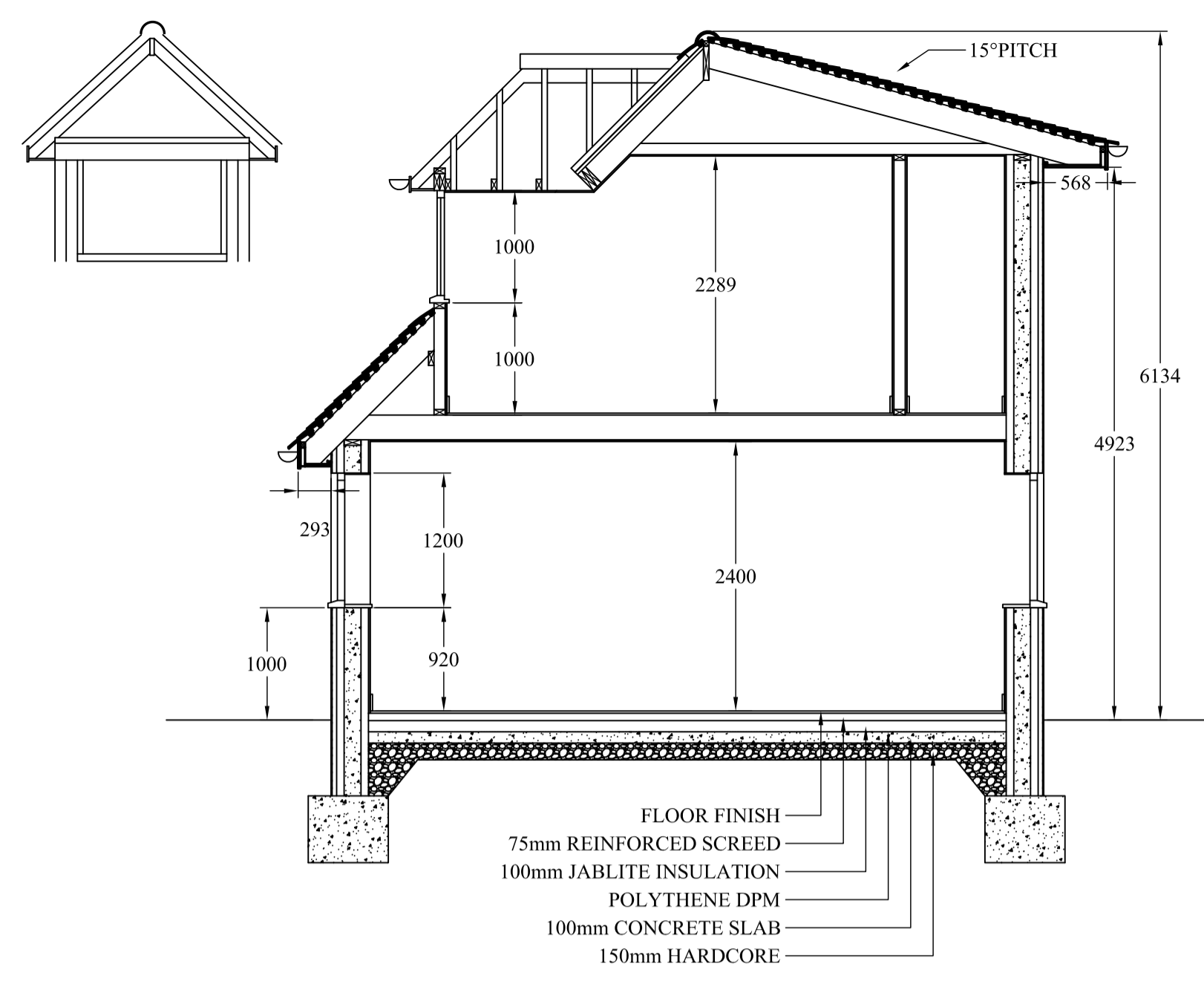
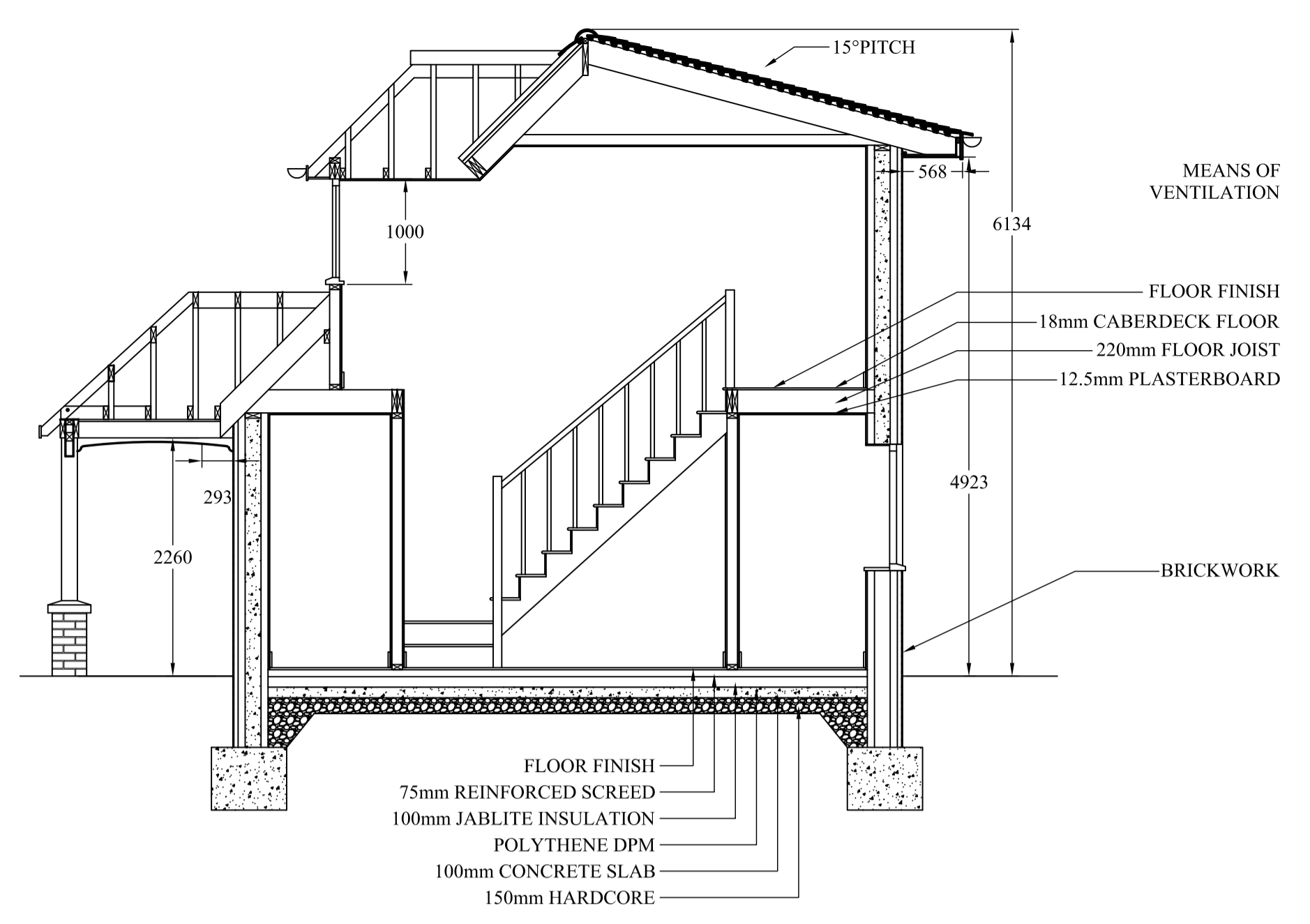


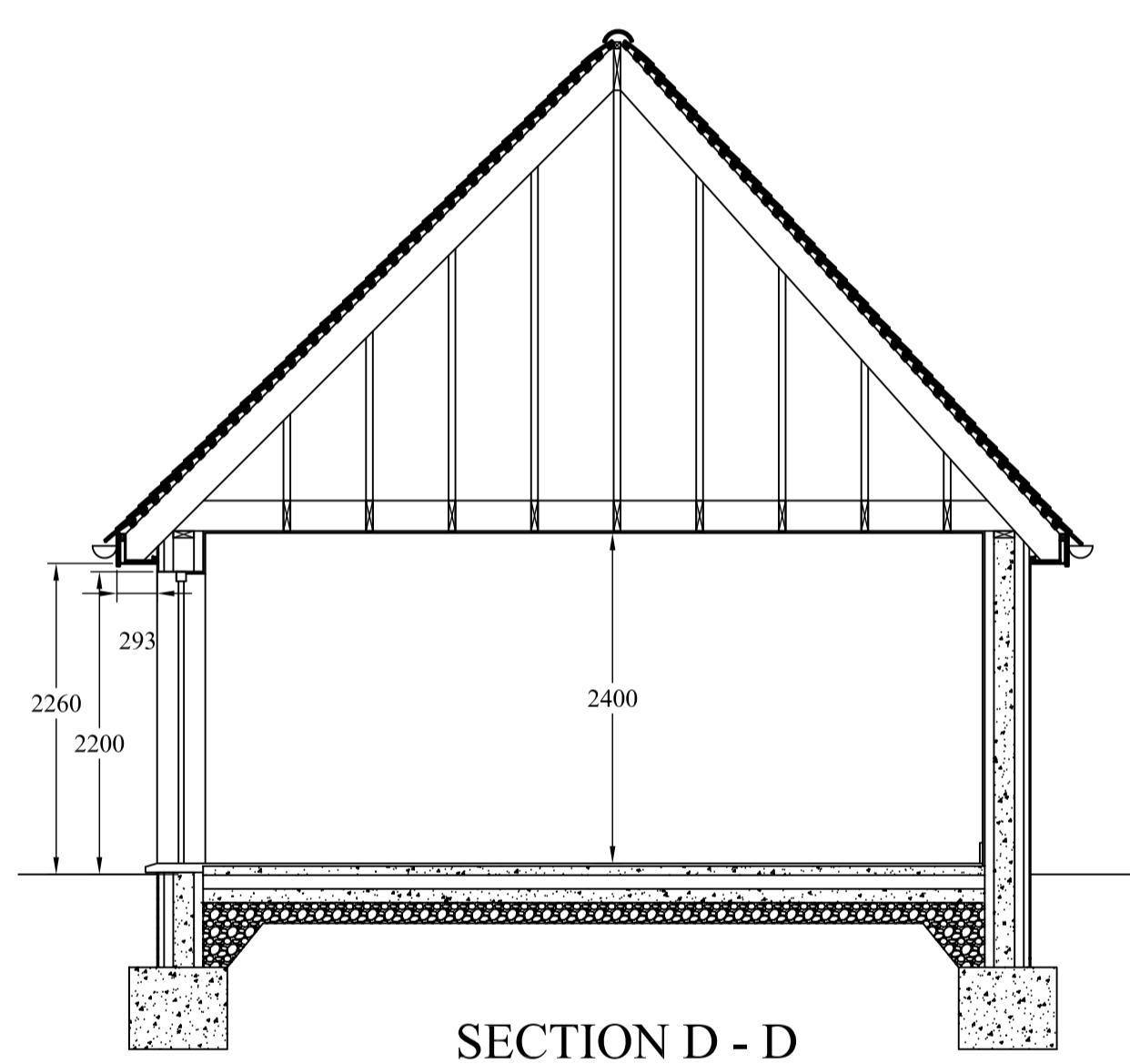
SECTION A - A



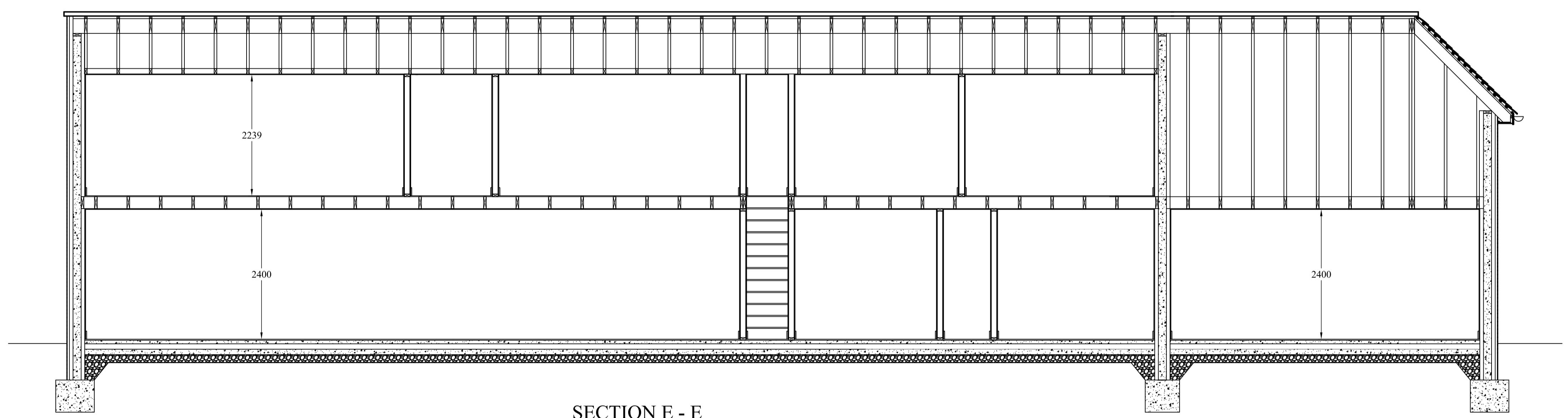
SECTION B - B



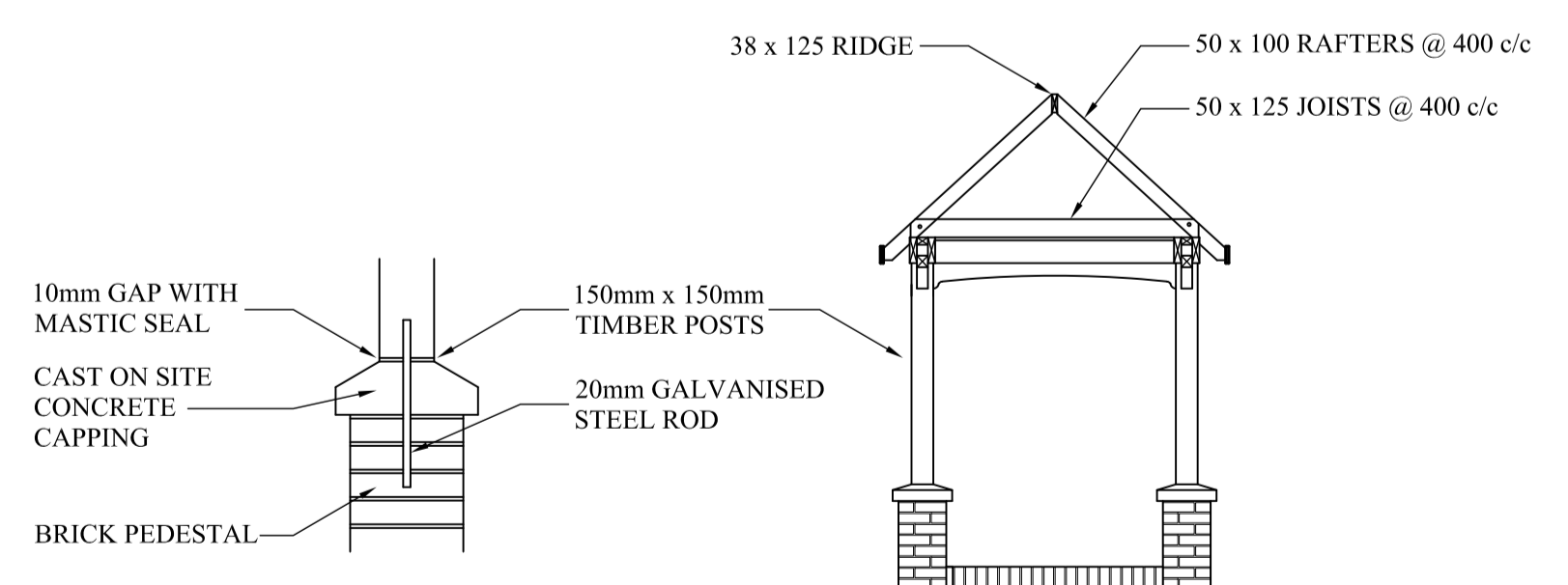
SECTION C - C



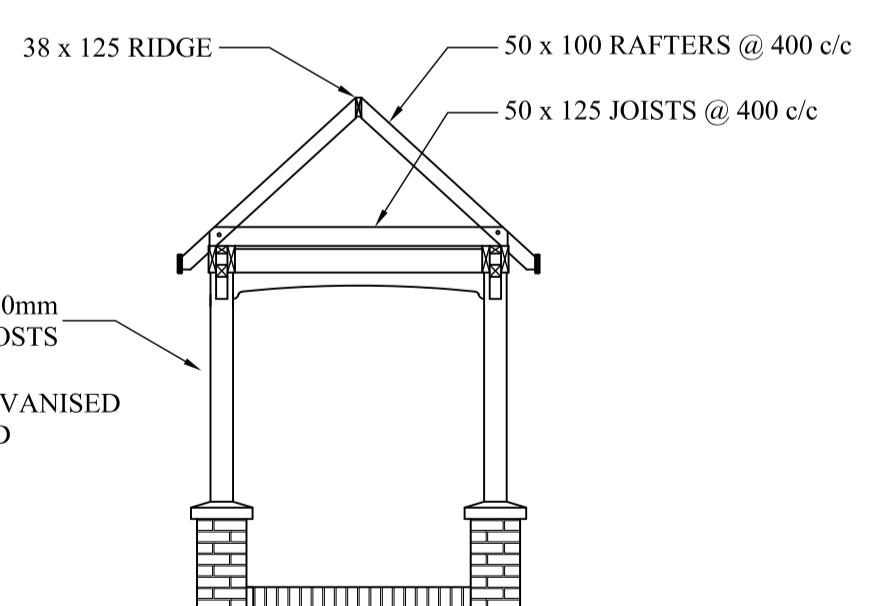
SECTION D - D



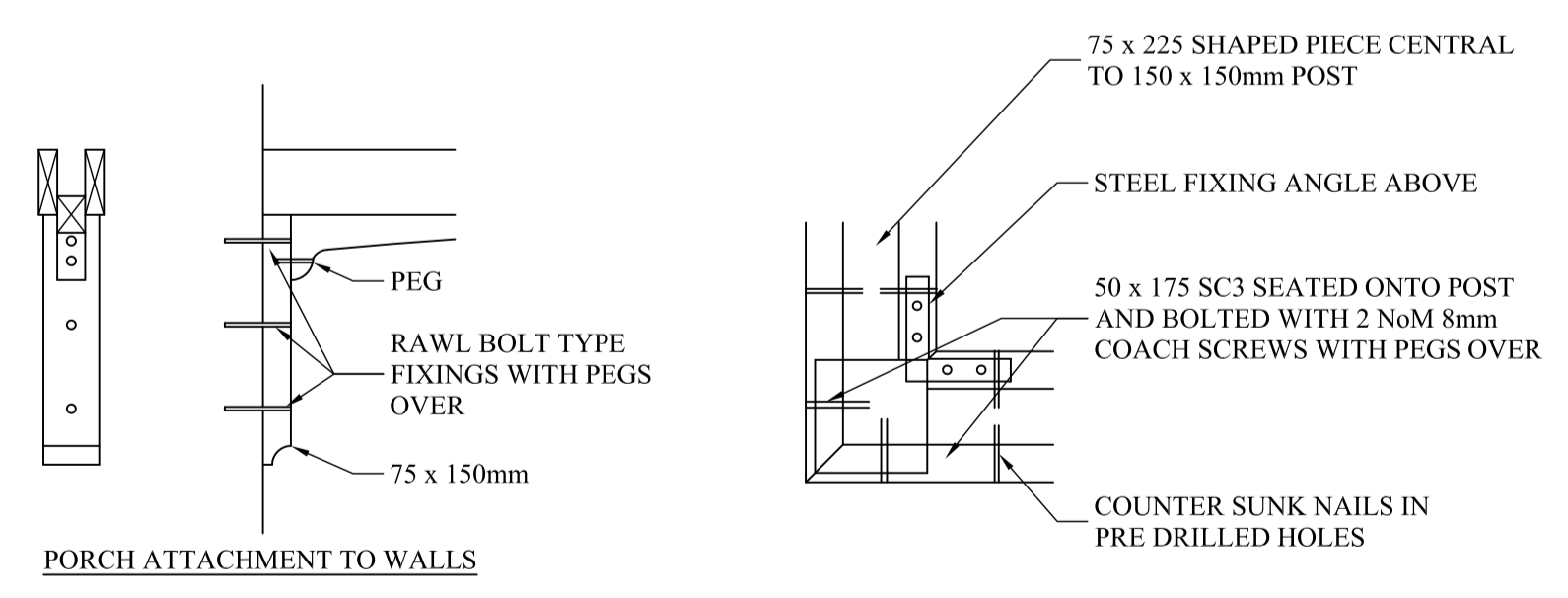
SECTION E - E



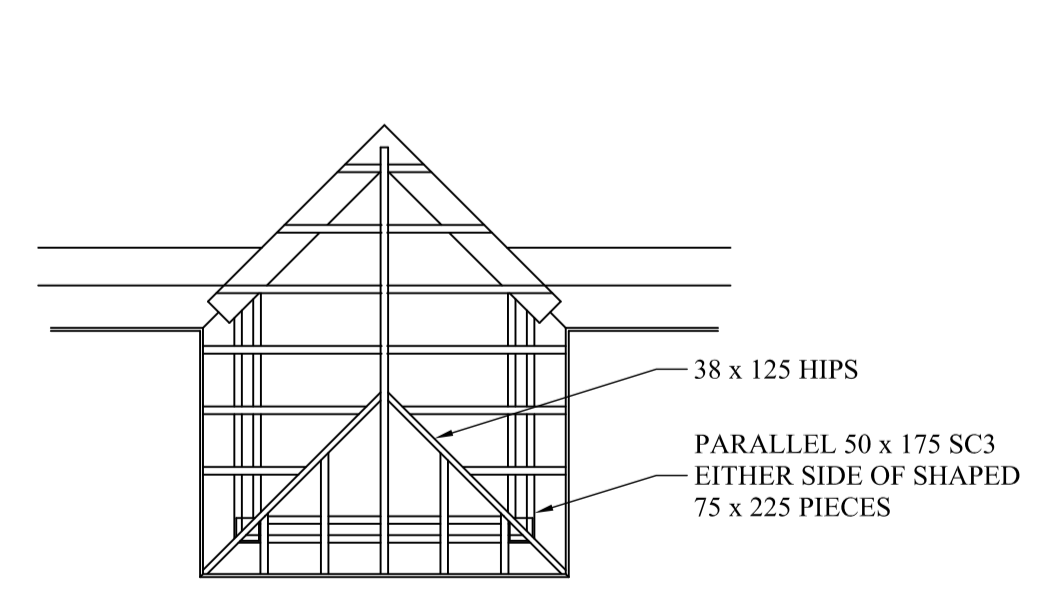
PORCH DETAILS



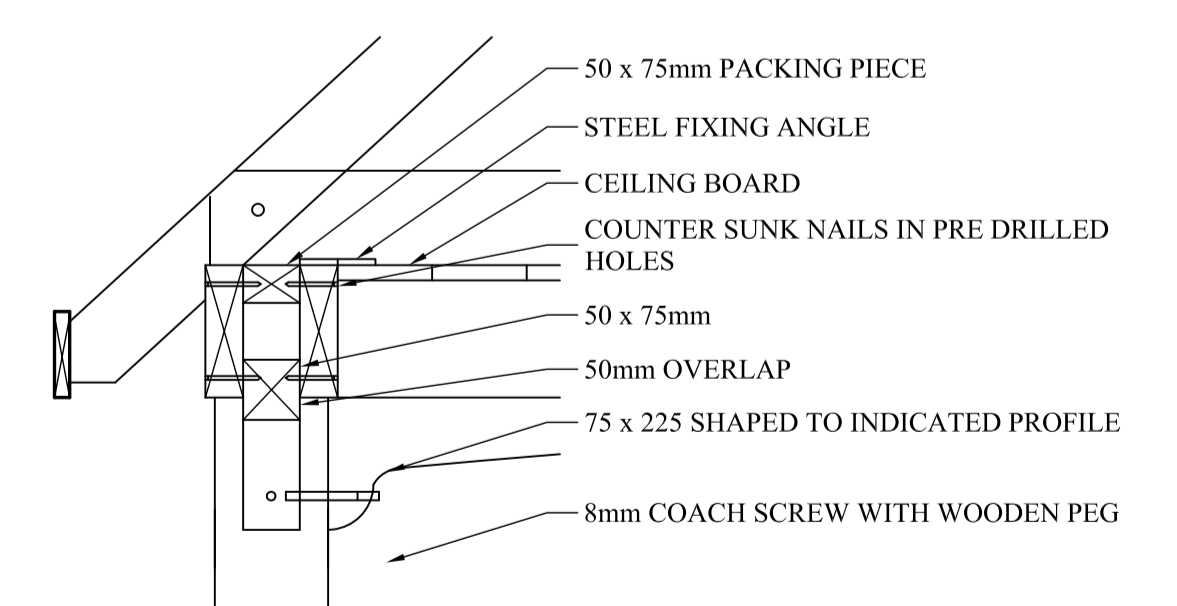
SECTION F - F



PORCH DETAILS



STRUCTURAL PLAN OF PORCH



PORCH DETAILS SCALE 1:10

Revisions		Revisions	
Rev	Date	Description	CDM Ch'kd/Ch'kd
0	08.08.23	ISSUED FOR PLANNING	

SCALE 1:50 @ A1 (METERS)

Lankon, Thiseldome Farm, Tatsfield Lane, Tatsfield, Westerham, Kent, TN16 2EQ
 Tel: 01959 573089 Mob: 07816 985869
 Web: www.lankon.co.uk
 Email: osmith@lankon.co.uk

PROJECT CONSULTANTS	QUANTITY SURVEYOR
ARCHITECT	INTERIOR DESIGNER
STRUCTURAL ENGINEER	

THE COPYRIGHT DESIGN & PATENTS ACT 1988. THIS DRAWING IS THE COPYRIGHT OF LANKON CONSTRUCTION AND MUST NOT BE COPIED OR REPRODUCED, IN WHOLE OR IN PART, BY ANY METHOD, WITHOUT THE PERMISSION OF THE FIRM WRITTEN AUTHORISATION OF LANKON CONSTRUCTION. DO NOT SCALE, ALL DIMENSIONS TO BE CHECKED ON SITE.

ORIGINATOR LANKON CONSTRUCTION	CAD REF: A1 - 1115 - 003
CLIENT MR. O. H. SMITH	CHECKED DATE M. E. AUG. 23
PROJECT THISELDOME FARM COTTAGE, TATSFIELD LANE	DRAWN DATE O.S. AUG. 23
DRAWING TITLE DETAILED SECTIONS	SCALE 1:50
DRAWING NUMBER 1115 - 003	REVISION 0