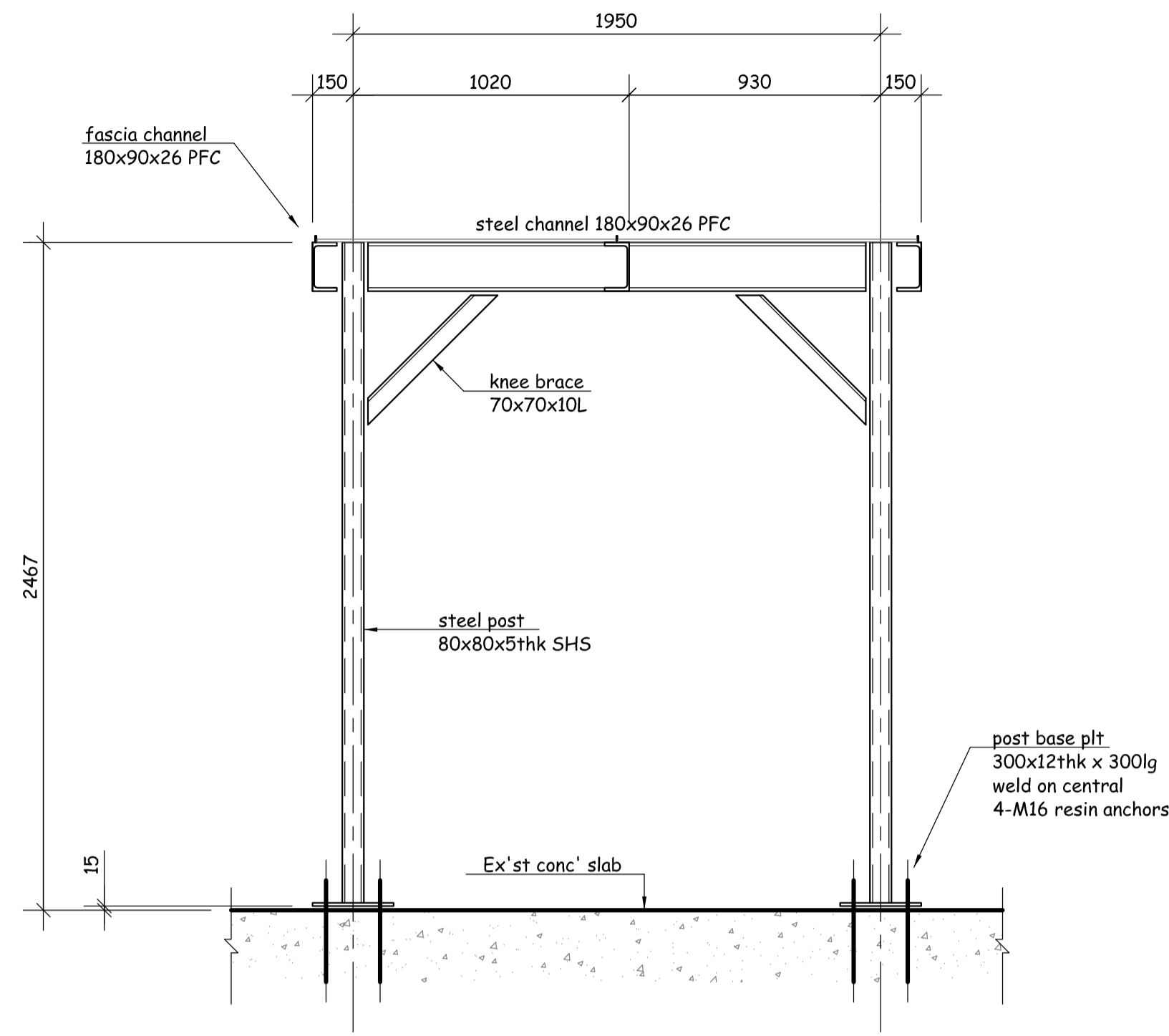
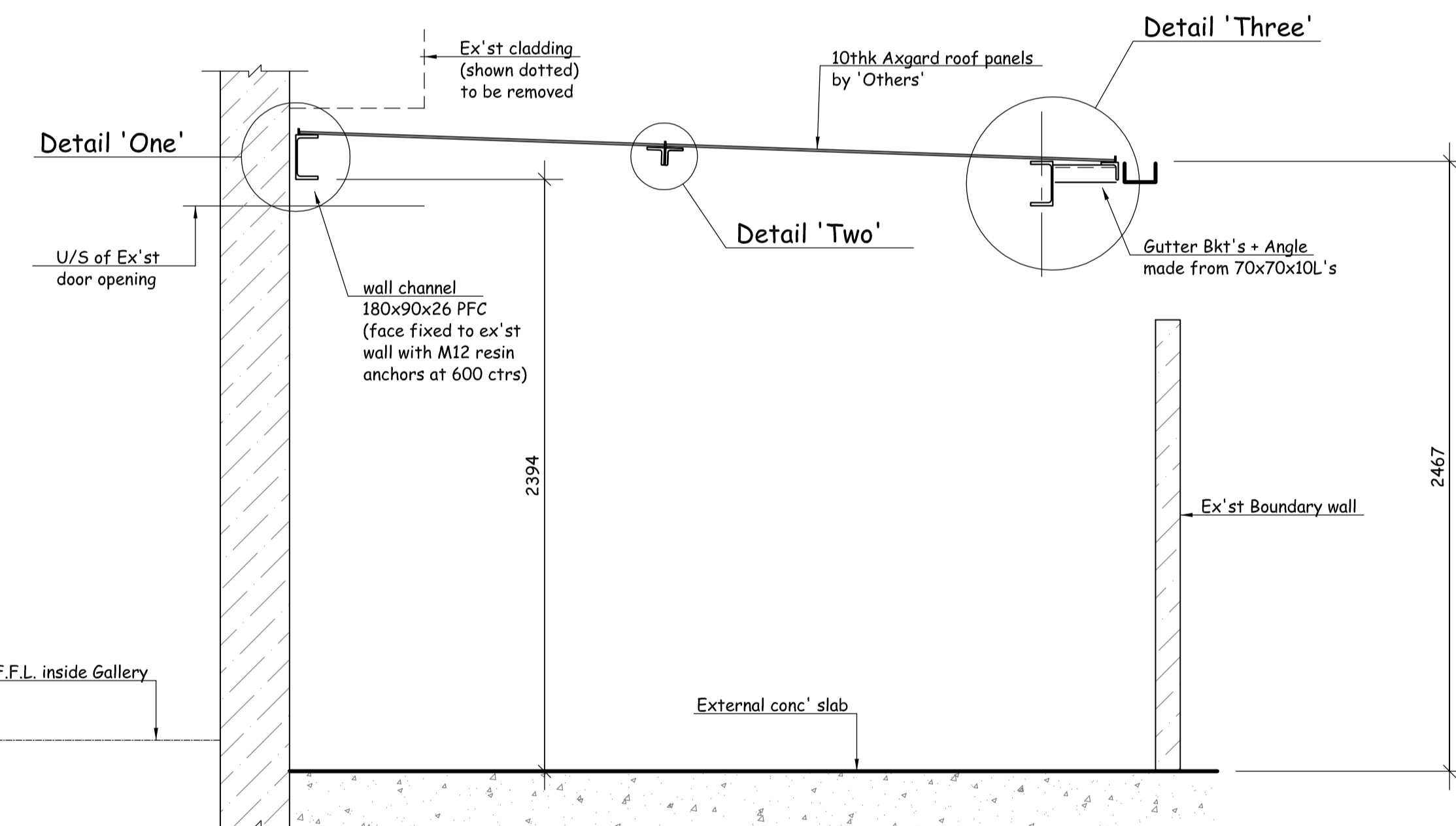


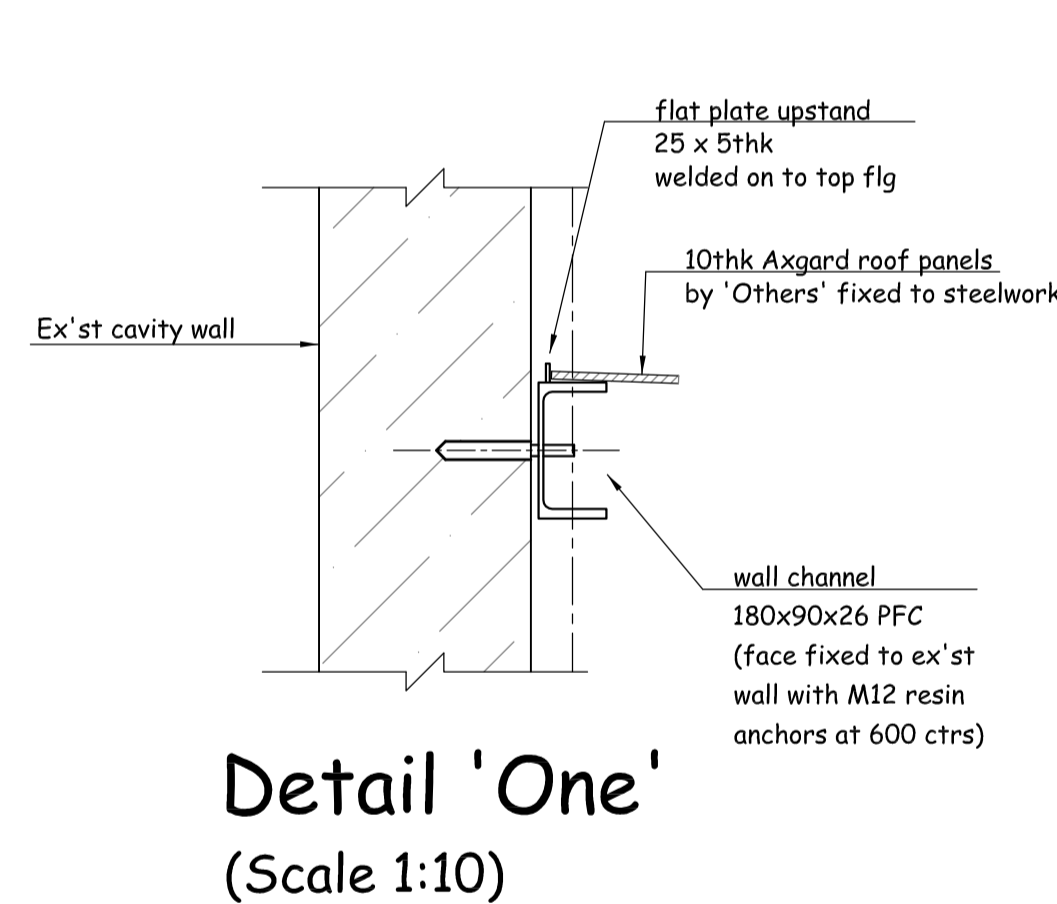
Steel Roof Plan
(scale: 1:20)



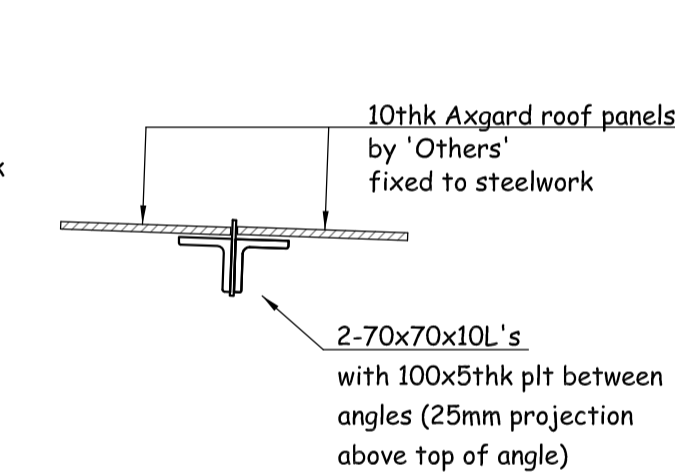
Section on 2~2
(scale: 1:20)



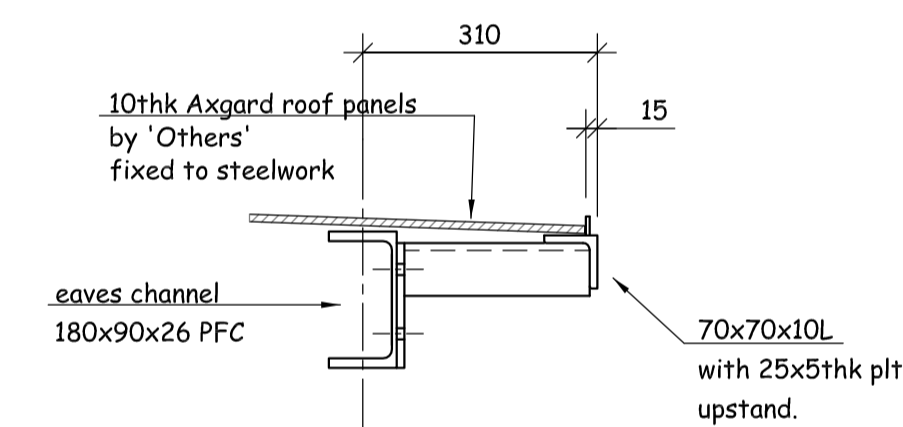
Section on 1~1
(scale: 1:20)



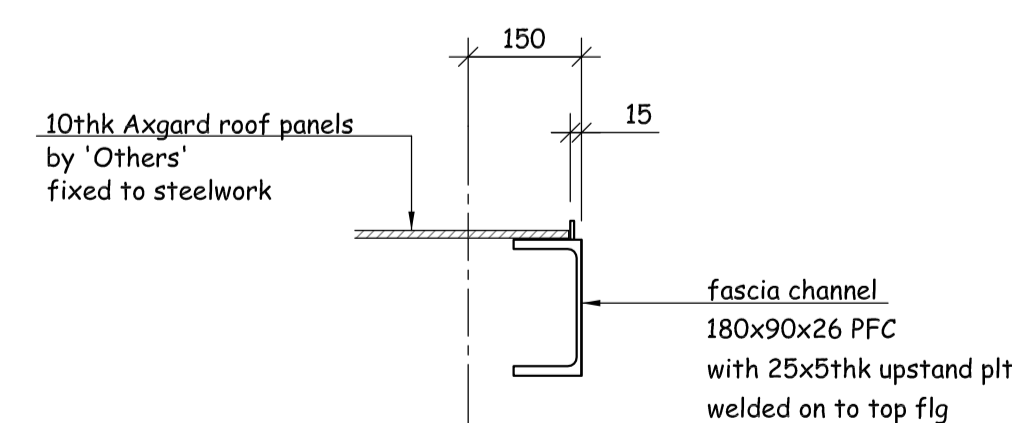
Detail 'One'
(Scale 1:10)



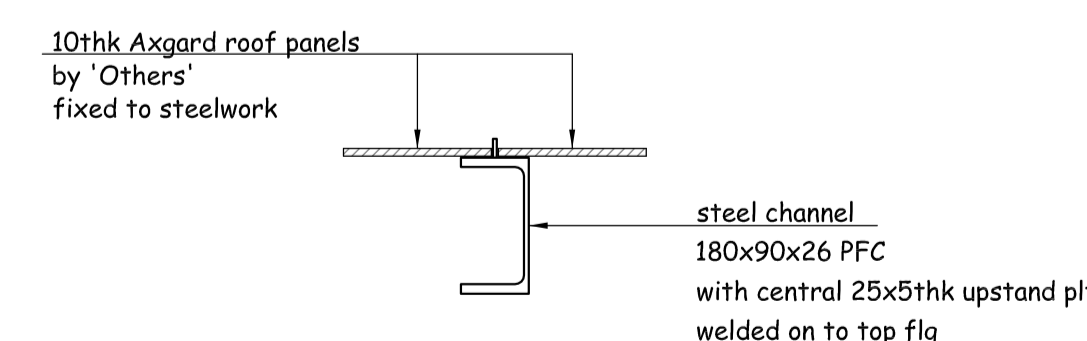
Detail 'Two'
(Scale 1:10)



Detail 'Three'
(Scale 1:10)



Detail 'Four'
(Scale 1:10)



Detail 'Five'
(Scale 1:10)

NOTES

1. This drawing is to be read in conjunction with all relevant Structural Engineers and Architects drawings together with the specifications.
2. All steelwork to be CE marked.
3. Execution Class EX2 to BS EN 1090-2.
4. Steel beams to be grade S275.
5. Connections to be minimum No 4 M16 grd 8.8 bolts.
6. Protective Coating - Galvanizing Preparation Blast cleaning to BS EN 8501-1 preparation grade Sa2.5 using chilled angular iron grit grade G24 to give a coarse surface profile. followed by chemical cleaning. Galvanizing : To BS EN ISO 1461. minimum average coating thickness 85 microns.

Rev	Details	Date
C2	Drawing updated and steel details added Issued for Comments/Approval	11-01-24
C1	Issued for Comments/Approval	12-12-23

Client:
JKT Builders

JOB:
The Gallery
54 Marston Street, Oxford.

DRAWING:
Steelwork General Arrangement
For Main Entrance

DRAWN: R.Rich	DATE: December 2023
CHECKED:	SCALES: 1:20 at A1

JOB No. 60148	DRAWING No. GA-25	REV. C2
-------------------------	-----------------------------	-------------------