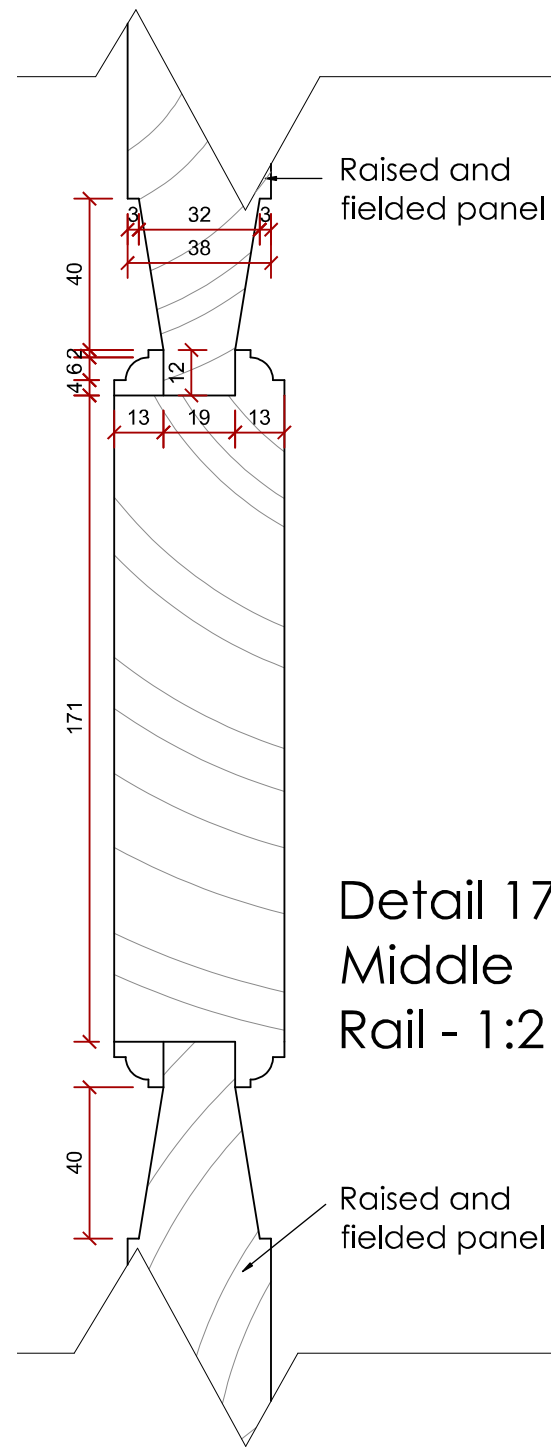


Raised and fielded panel

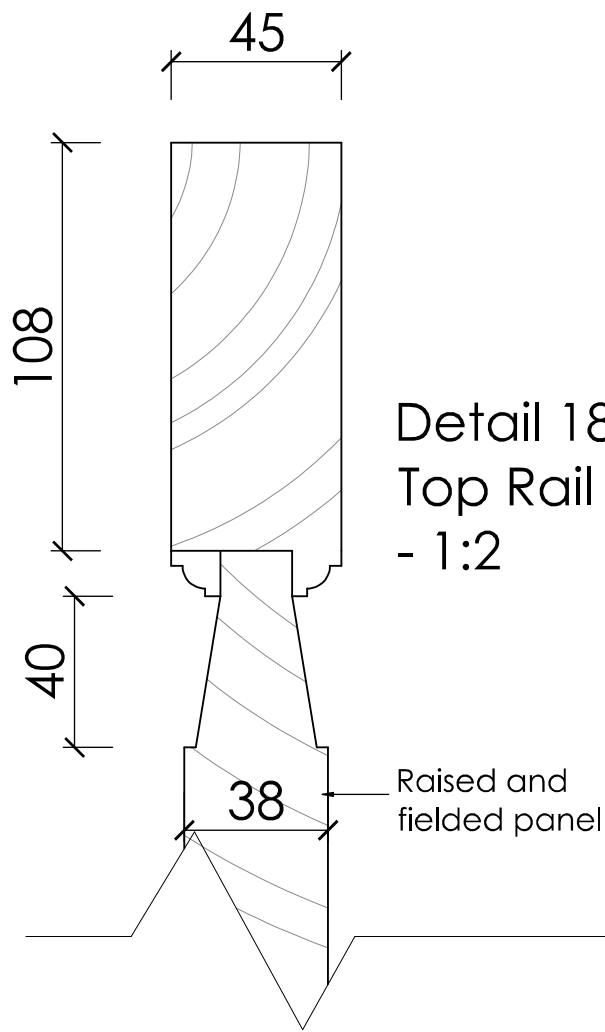
NOTE: Sections provided by Redwood Joinery Limited, Woolavington, Somerset

Detail 16
Bottom Rail - 1:2

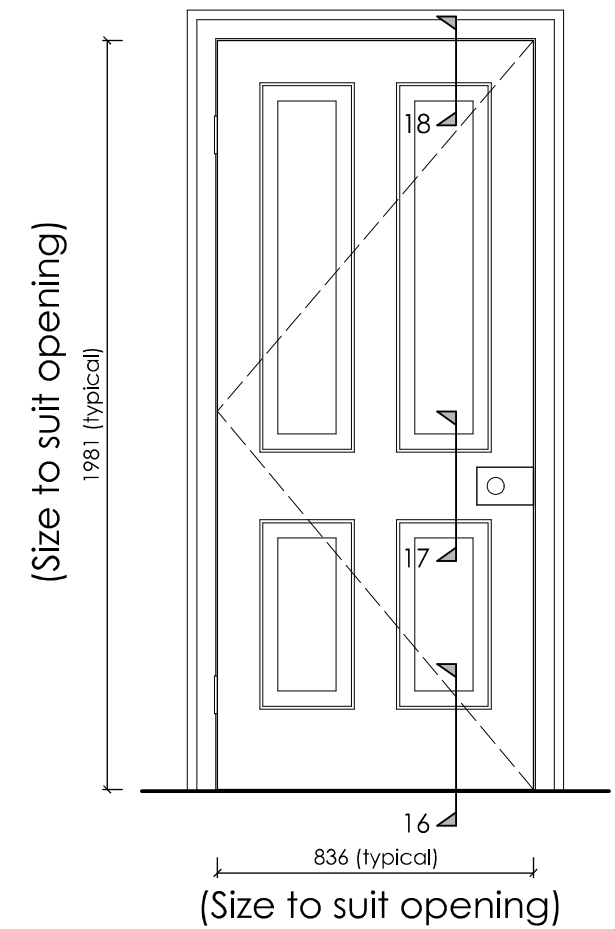


Raised and fielded panel

Detail 17
Middle Rail - 1:2

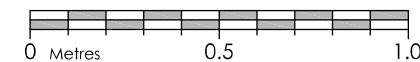


Detail 18
Top Rail - 1:2

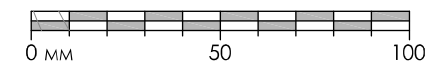


INTERNAL DOOR (TYPICAL) : 1:20

Door Type - Traditional timber, raised and fielded, four panel door (hardwood, natural grain - Paint colour: F&B, All White, no.2005 [typical]).



Internal Door Details



Della Valle
architects

Lake View • Charlton Estate
Shepton Mallet • Somerset • BA4 5QE
T 01749 330672 • F 01749 330672
E mail@dellavallearchitects.co.uk
Chartered Architect • Designer • Project Manager

Client • Mr P. Moore.
Job • Internal and external alterations to listed dwelling, Manor Farm, Coxbridge, Glastonbury, BA6 8LG.
Title • Internal Door Details.

Revisions -

Scale • 1:20, 1:2 @A3
Date • January 2024
Drawn • PEC

Drg No: **F1657/111**