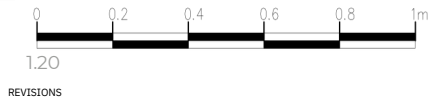
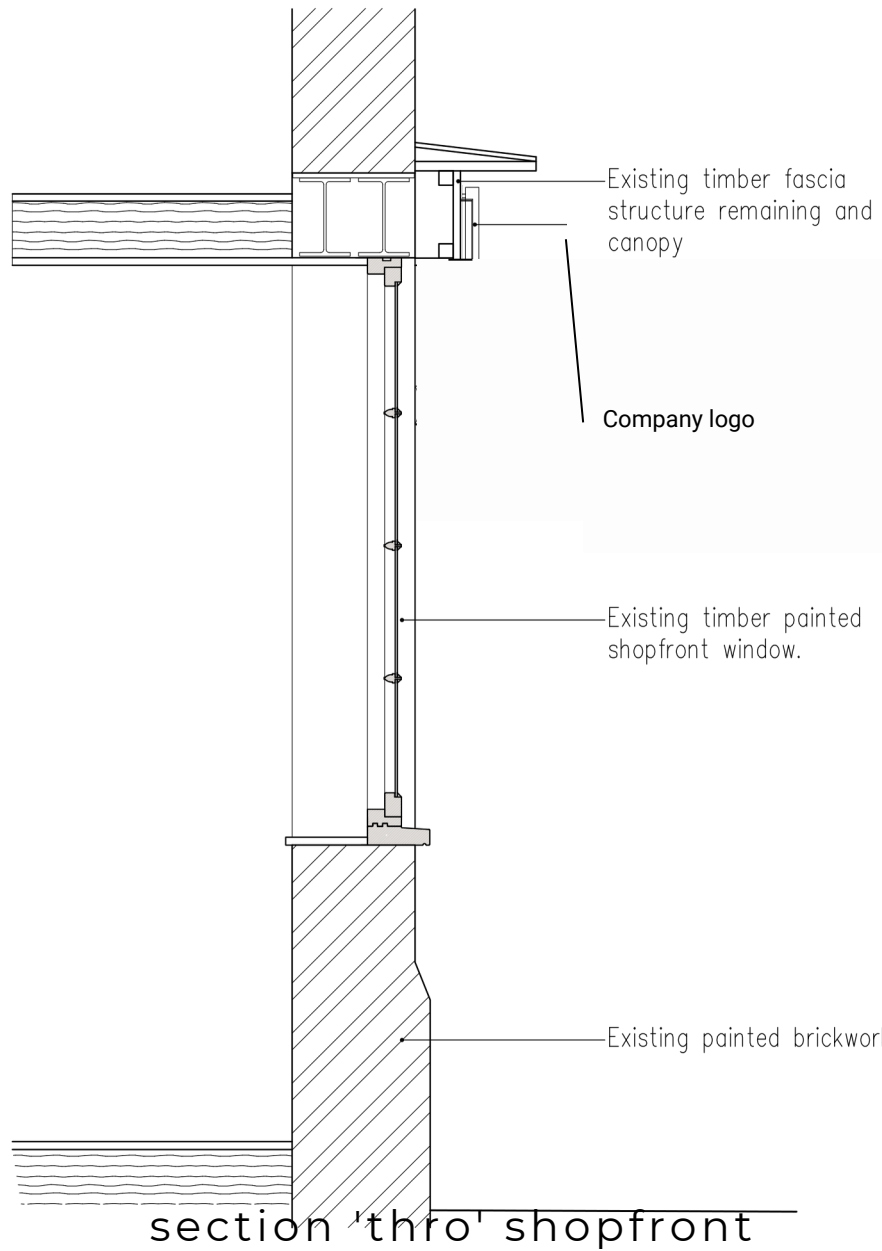


cThis drawing remains the property and copyright of Walkergore consultants limited.
do not scale from this drawing only use physical dimensions indicated
all dimensions and info indicated to be checked on site prior to any work commencing.
Report any discrepancies to walkergore consulting ltd in the first instance.



| | |
|---------|---|
| Job | LISTED BUILDING SHOPFRONT SIGNAGE |
| Address | 50 HIGH STREET TEWKESBURY GLOUCESTERSHIRE |
| Drawing | SECTION THROUGH SHOPFRONT |
| Date | 12.07.2023 |