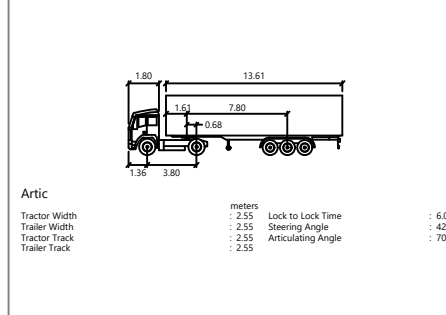


NOTES:  
© Crown copyright and database rights 2023 OS Licence 100056454.  
Topographical Survey by Anthony Brookes Surveyors Ltd  
Sheet ID: A206/9864/1B. Dated June 2017.

ISSUE	REASON FOR REVISION	BY	DATE
-	-	-	-



PROJECT:  
**BEN'S YARD  
BRISTOL ROAD**

CLIENT:  
**BEN'S YARD**

PROJECT REF: 23154	DRAWING NUMBER: TR01	SCALE (AT A3): 1:100
-----------------------	-------------------------	-------------------------

SHEET NUMBER:  
SHEET NUMBER 1 OF 1



**HighgateTransportation**  
www.highgatetransportation.co.uk  
First Floor, 43-45 Park Street  
Bristol BS1 5NL  
01179 349 121  
© Highgate Transportation Limited

TITLE:  
**ARTICULATED HGV  
SWEPHTH PATH ANALYSIS**

DATE: 12.10.2023	DRAWN BY: DB	CHECKED: DC
---------------------	-----------------	----------------