

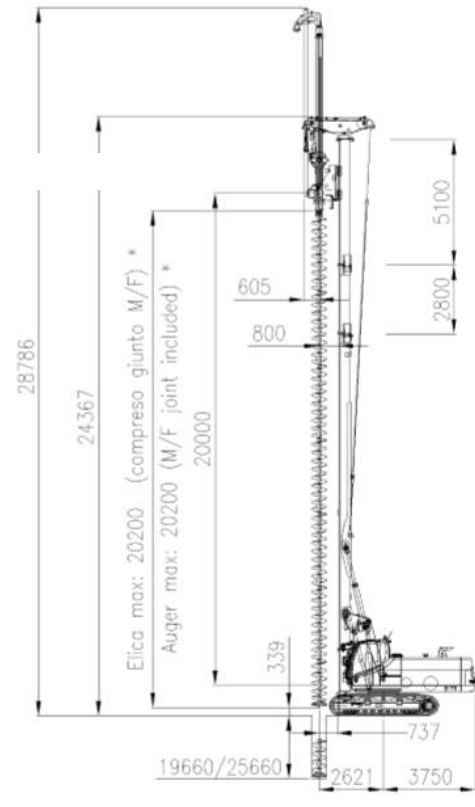
# Casagrande B175

## CFA L Rig

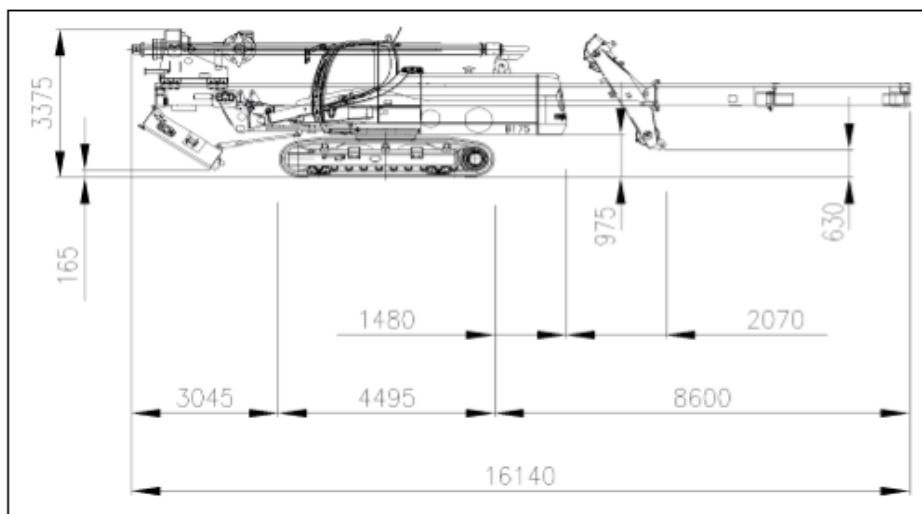
Information Sheet 08/01/19

TECHNICAL DATA		
<b>Drilling Performance</b>		
Max pile diameter	mm	900
Max Auger Length (+ Extension)	m	20.0 (+6m)
Max Drill depth (+ Extension)	m	19m (+6m)
Max extraction force	kN	640
Pull-down winch force (optional)	kN	86
<b>Rotary Table</b>		
Nominal torque	kNm	180
Maximum drilling speed	rpm	32
<b>Weights and Dimensions</b>		
<b>Transport</b>		
Transport Track width	mm	2500
Transport height	mm	3375
Transport length	mm	16140
Transport weight	ton	43t
<b>Operating</b>		
Operating Track width (extended)	mm	3900
Operating height (with 6.m Ex)	mm	28786
Operating weight	ton	50.2t
<b>Overall</b>		
Overall length	mm	4495
Overall width (extended)	mm	3900
Overall width (retracted)	mm	2500
Track shoe width	mm	800
Bearing pressure	See GPL WPC	

### Working Conditions



### Transport Conditions



Approximate mass of equipment in transport: 43000 kg