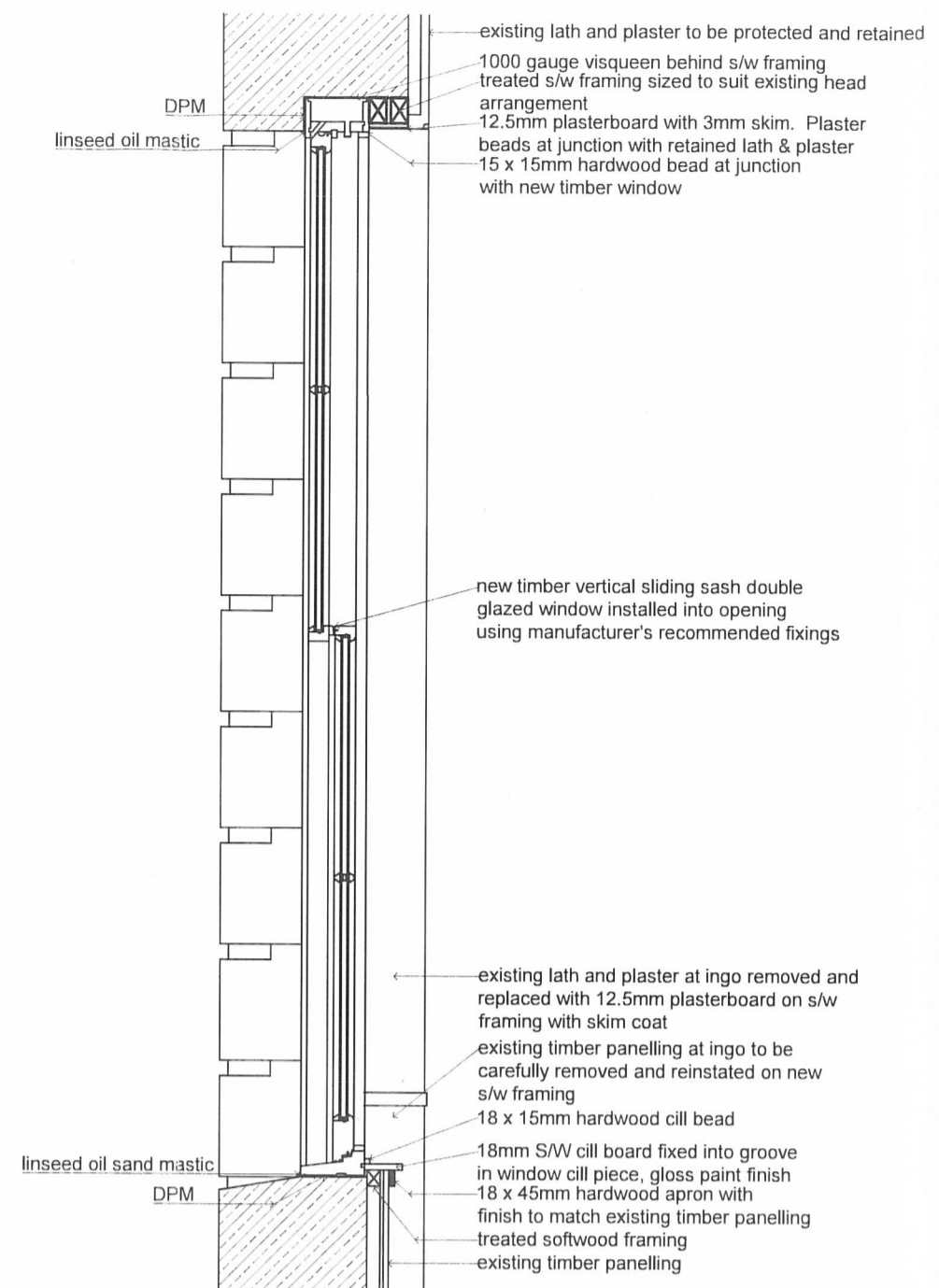
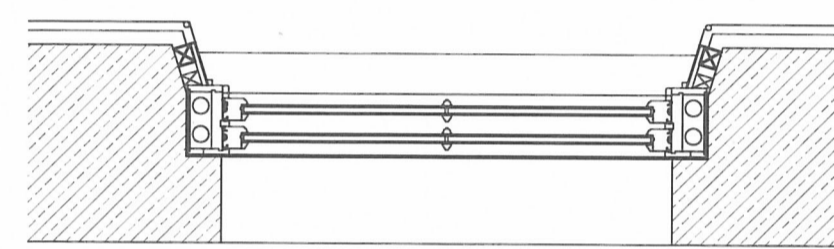


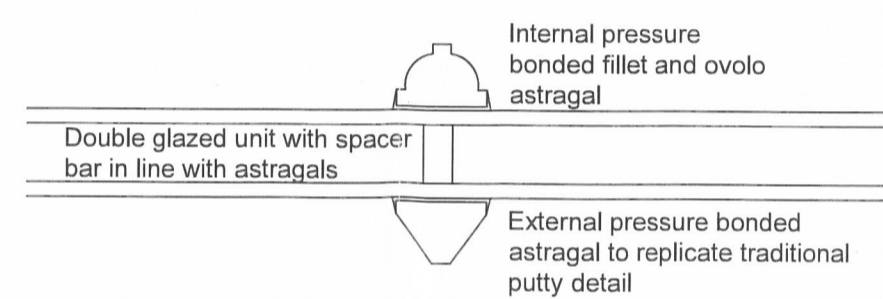
Detail 12 - Elevation of Typical Window (4 over 4) 1:20



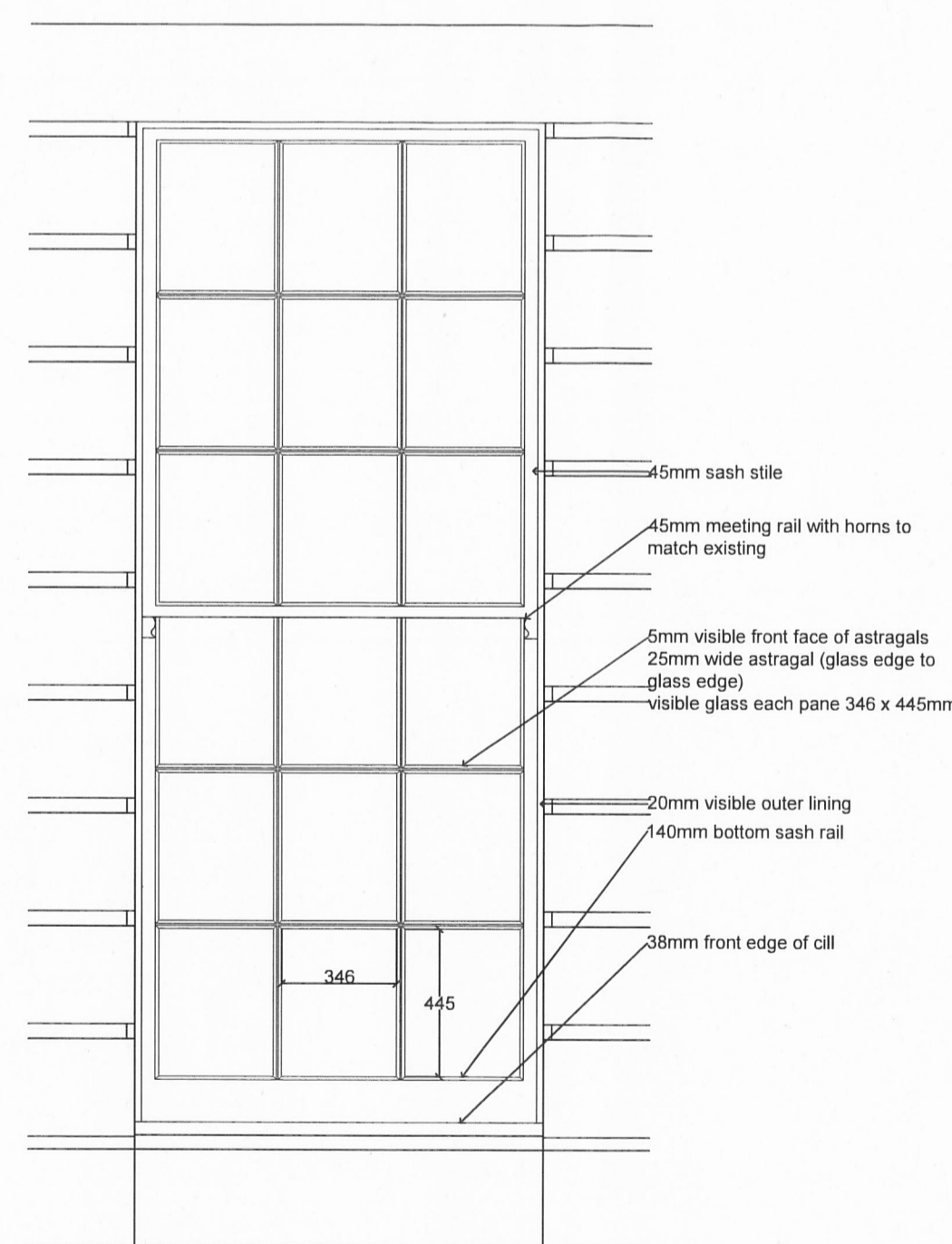
Detail 14 - Section Through Typical Window (4 over 4) 1:20



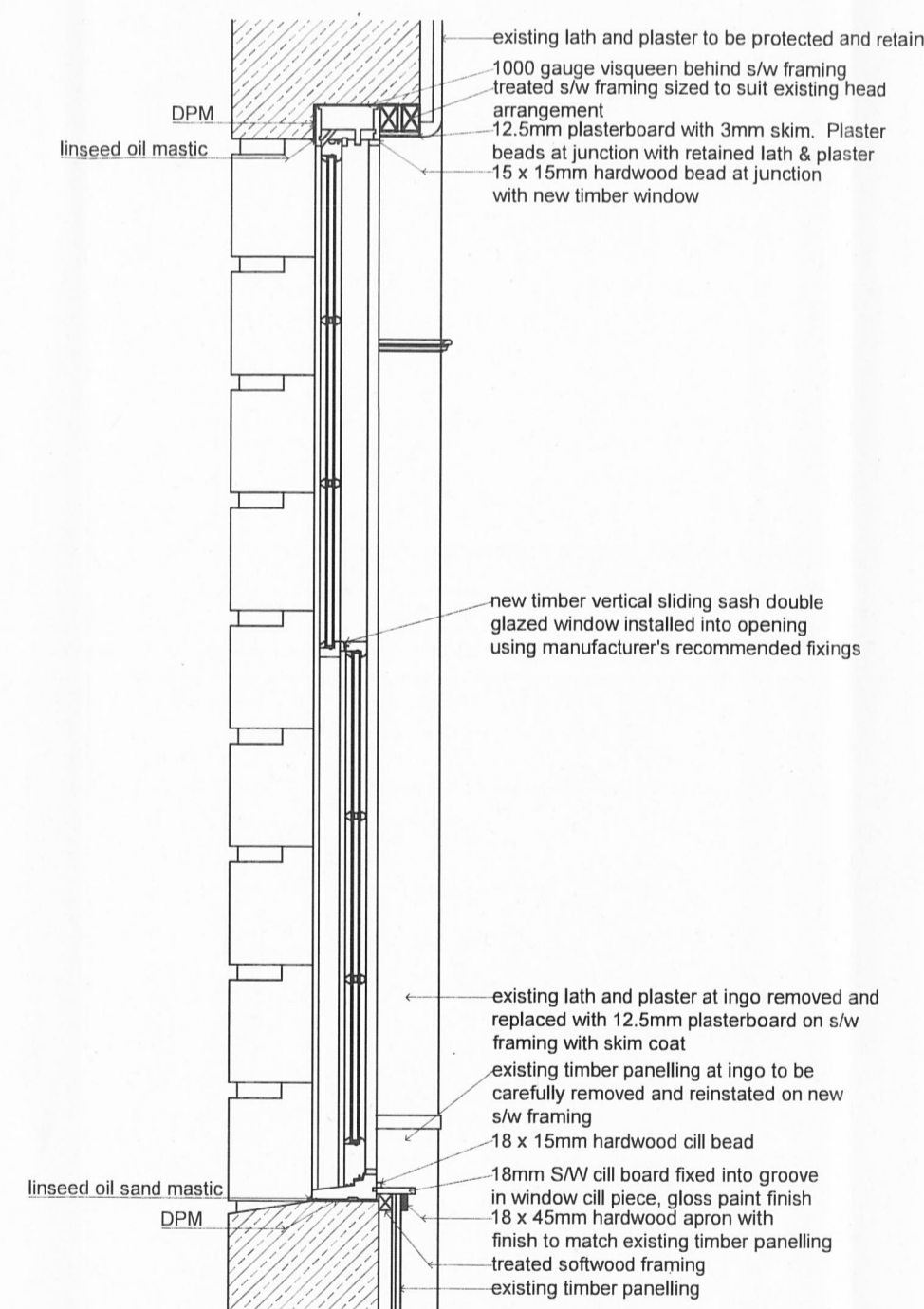
Detail 13 - Plan of Typical Window (4 over 4) 1:20



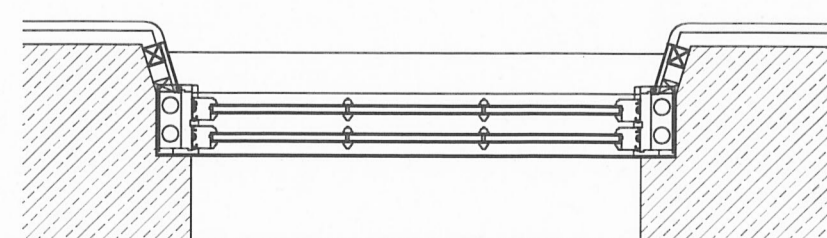
Detail 13A - Plan of Proposed Astragals (4 over 4) 1:2



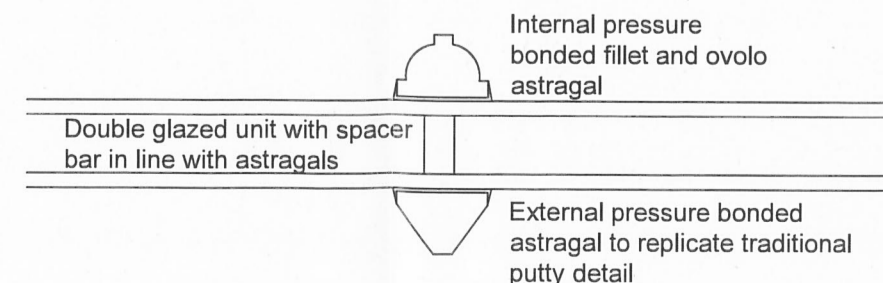
Detail 6 - Elevation of Typical Window (9 over 9) 1:20



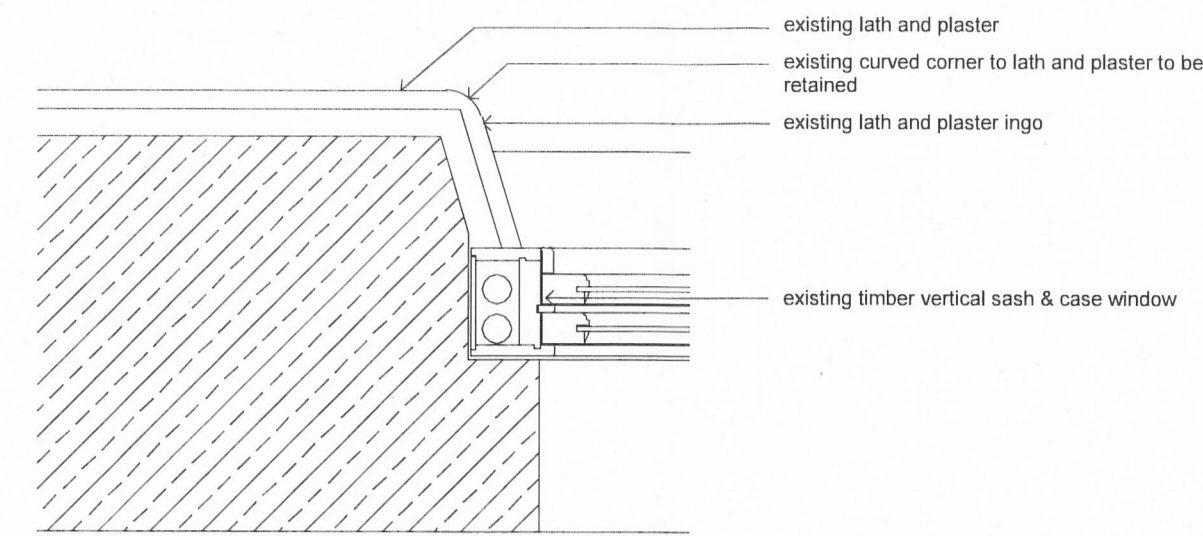
Detail 8 - Section Through Typical Window (9 over 9) 1:20



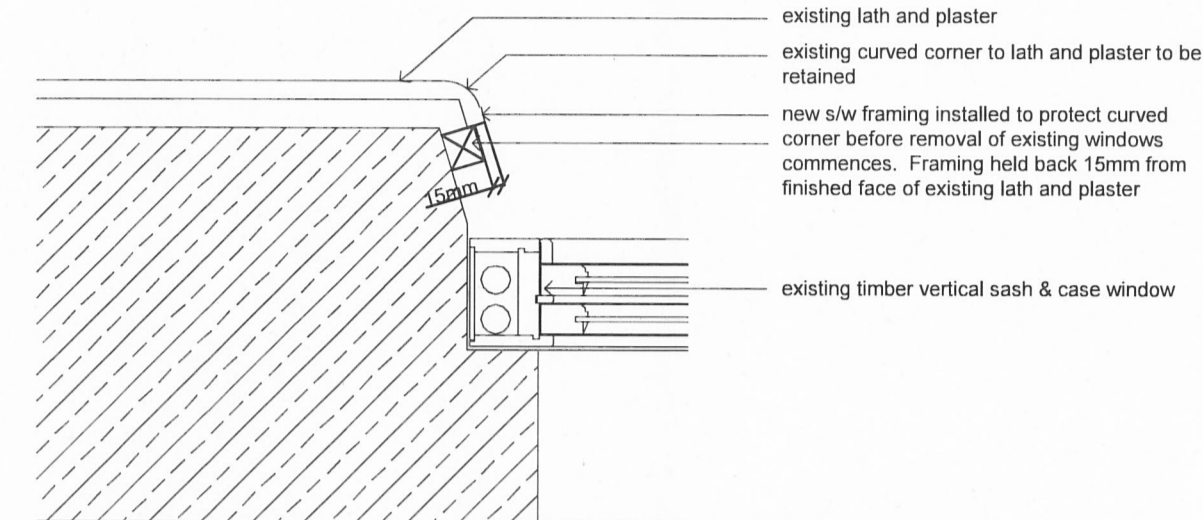
Detail 7 - Plan of Typical Window (9 over 9) 1:20



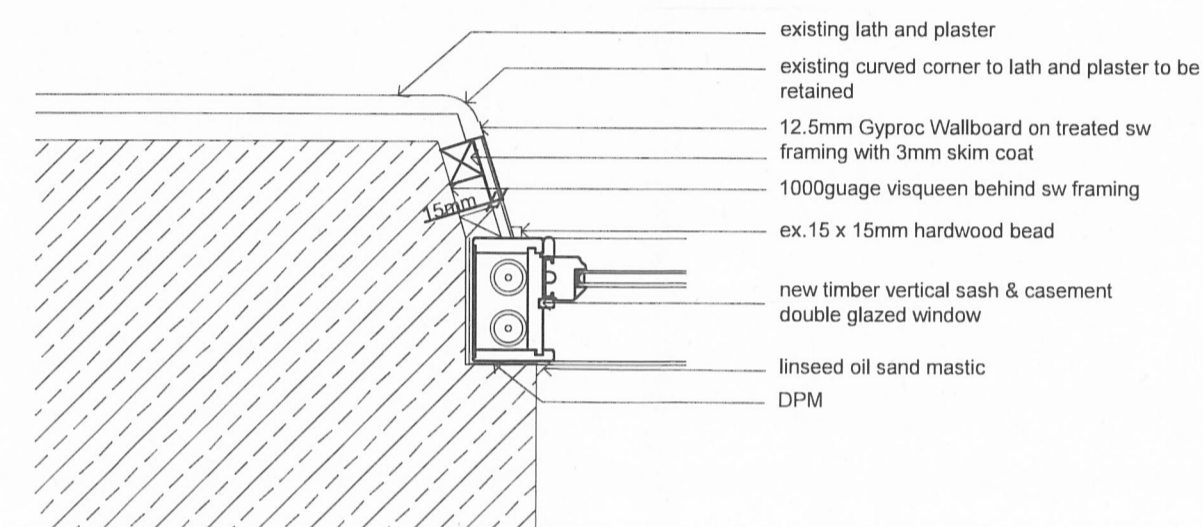
Detail 7A - Plan of Existing Astragals (9 over 9) 1:2



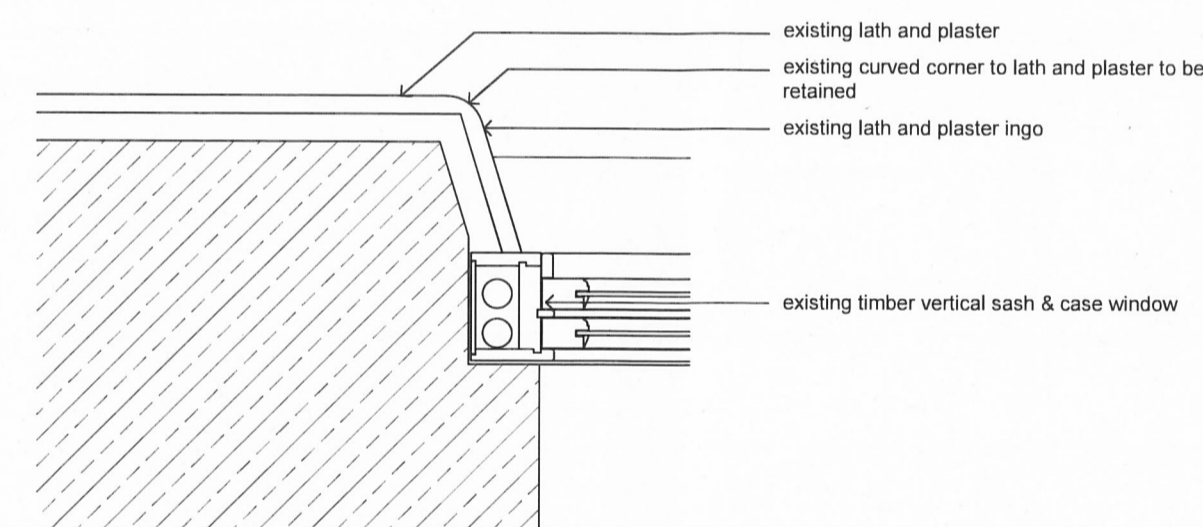
Detail 1 - Plan at Jamb with Curved Corner As Existing 1:10



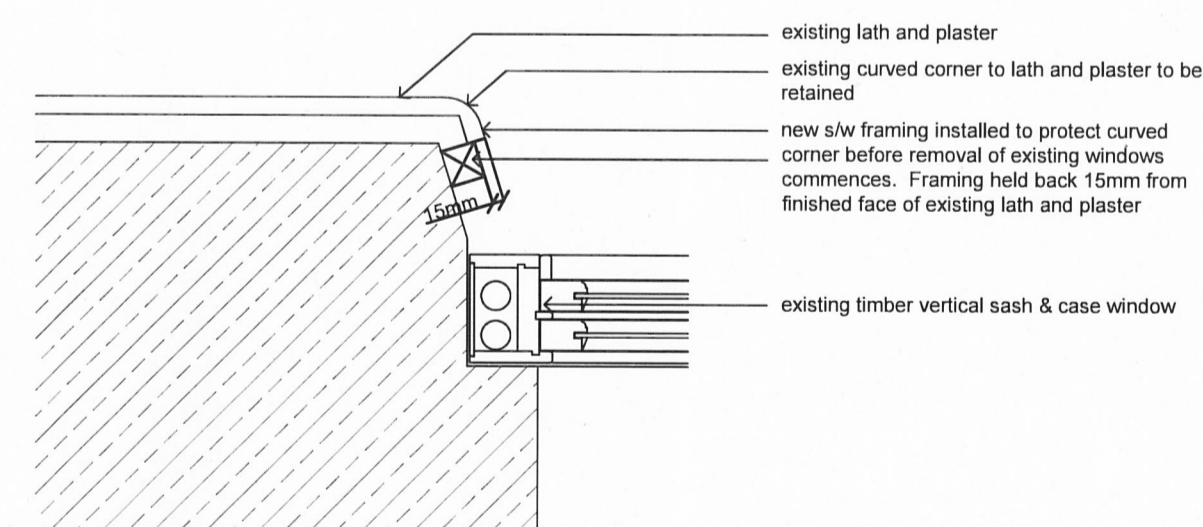
Detail 2 - Plan at Jamb During Removal/ Reinstatement 1:10



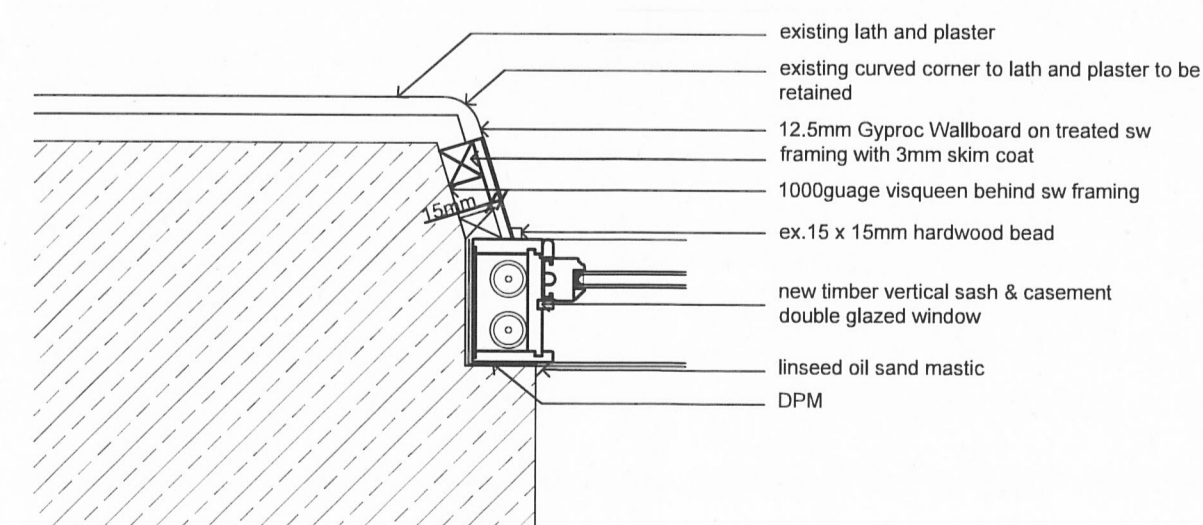
Detail 3 - Plan at Jamb with Curved Corner on Completion 1:10



Detail 9 - Plan at Jamb with Timber Bead As Existing 1:10

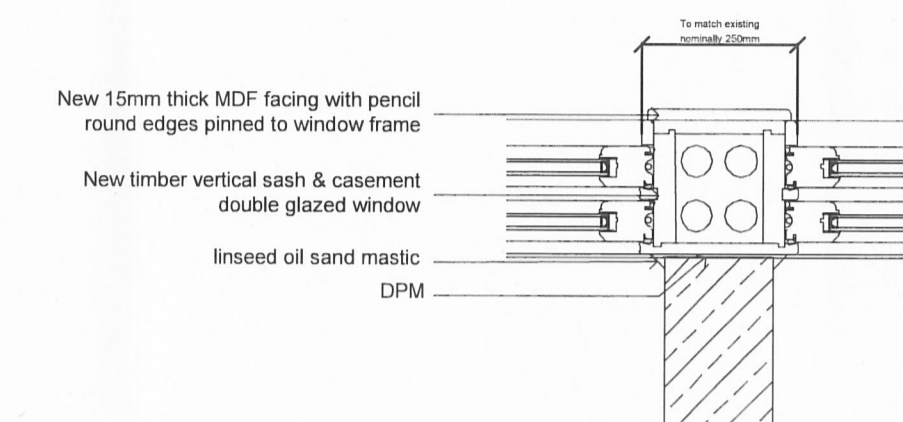


Detail 10 - Plan at Jamb During Removal/ Reinstatement 1:10



Detail 11 - Plan at Jamb with Timber Bead on Completion 1:10

Detail 4 - Section Through Existing Timber Dado Rail 1:1



Detail 5 - Plan at Mullion Jamb 1:10

JOB Ayr Grammar School

DRAWING Replacement window details

As Proposed

SCALE various @ A1 DRAWN KM DATE Dec 23

DRAWING NO 6481.P14 REV

CLIENT Carrick Designs Ltd.

ARPL ARCHITECTS
11 WELLINGTON SQUARE, AYR
TEL. 01292 289777

