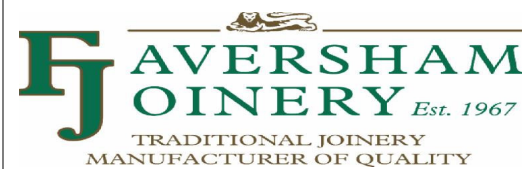


Scale 1:25 @ A3 00 .5m 1m 2m

Hyde Group
 Richmond Terrace, Brighton, BN2 9SA
 Existing and proposed roof lantern 2

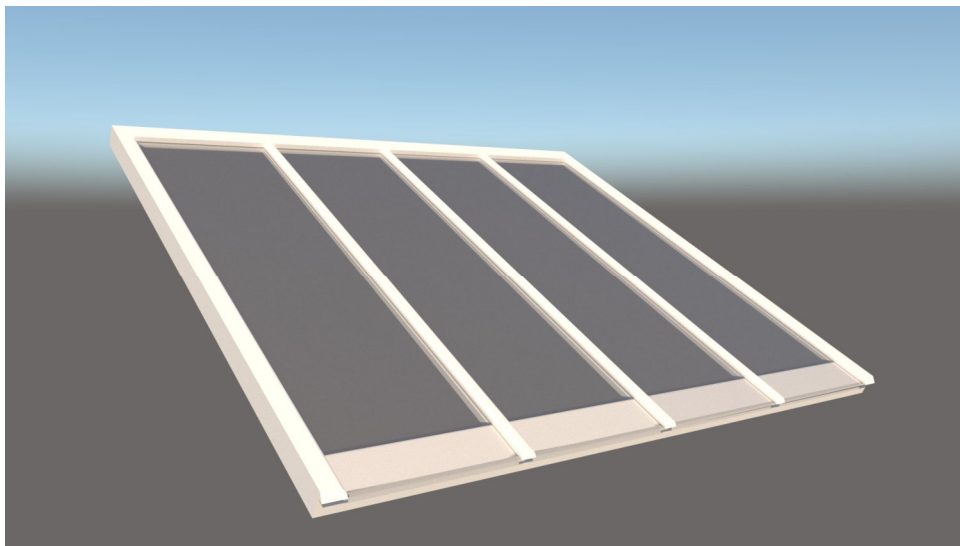
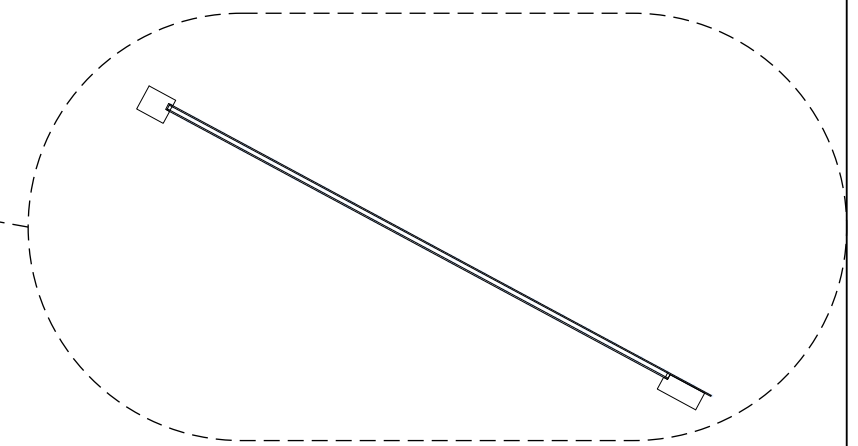
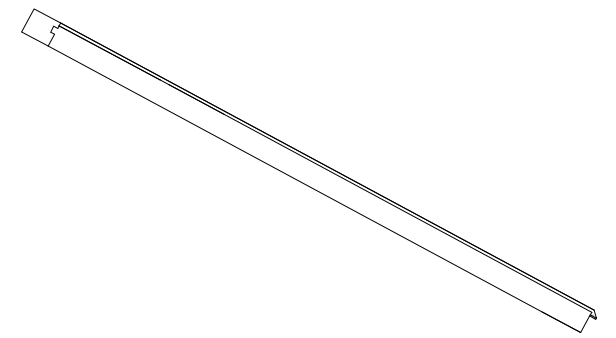
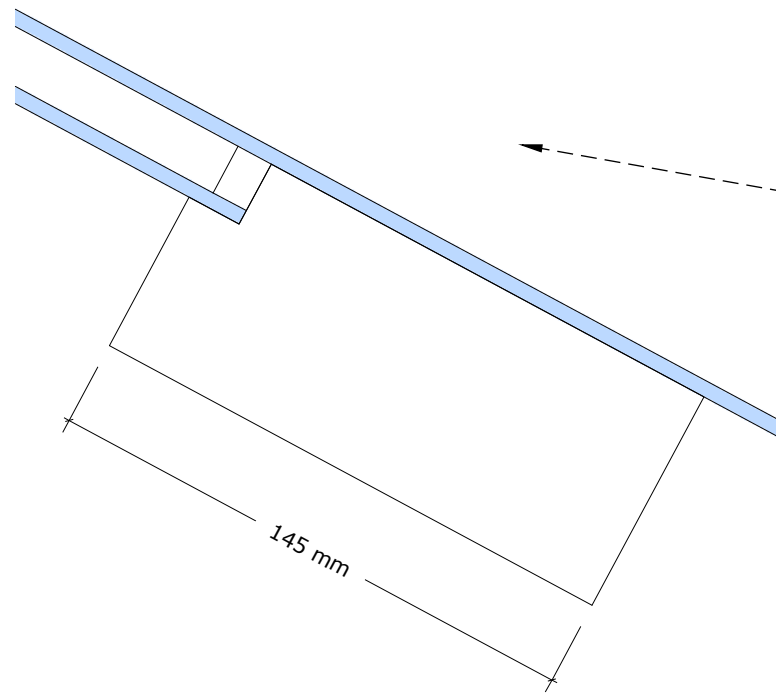
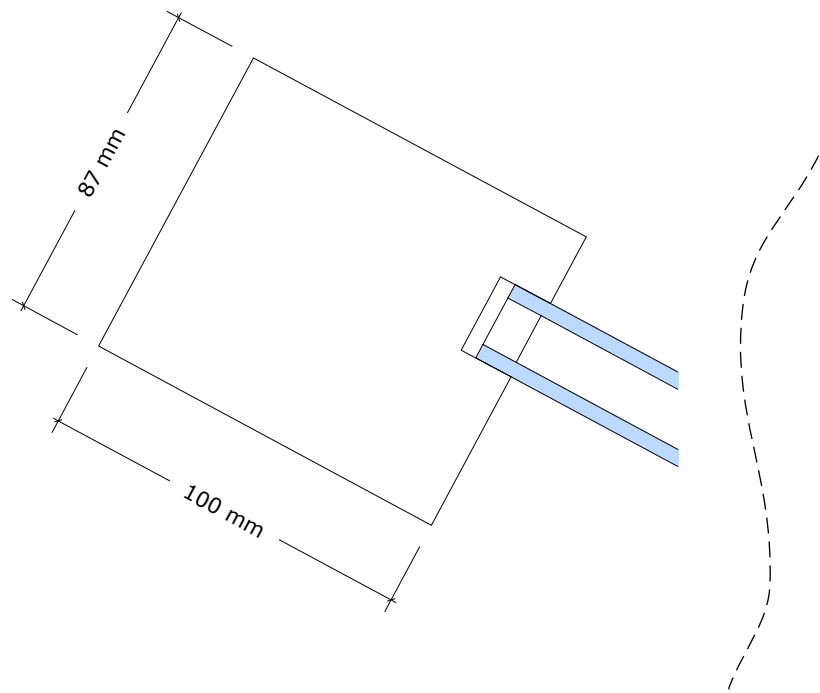


Tel: 01795 537062
 Fax: 01795 59766
 Abbey Farm, Abbey Fields, Faversham,
 Kent, ME13 8HS
www.favershamjoinery.co.uk

Drawn By: D.P.Crawley

COPYRIGHT : Faversham Joinery Uk Ltd, Own the copyright to these drawing's. Their written consent must be obtained before these drawing's are copied or used for any purpose other than the one for which it was supplied.

January 19, 2024



Scale 1:2 @ A3



Existing and proposed roof lantern, section thru side.



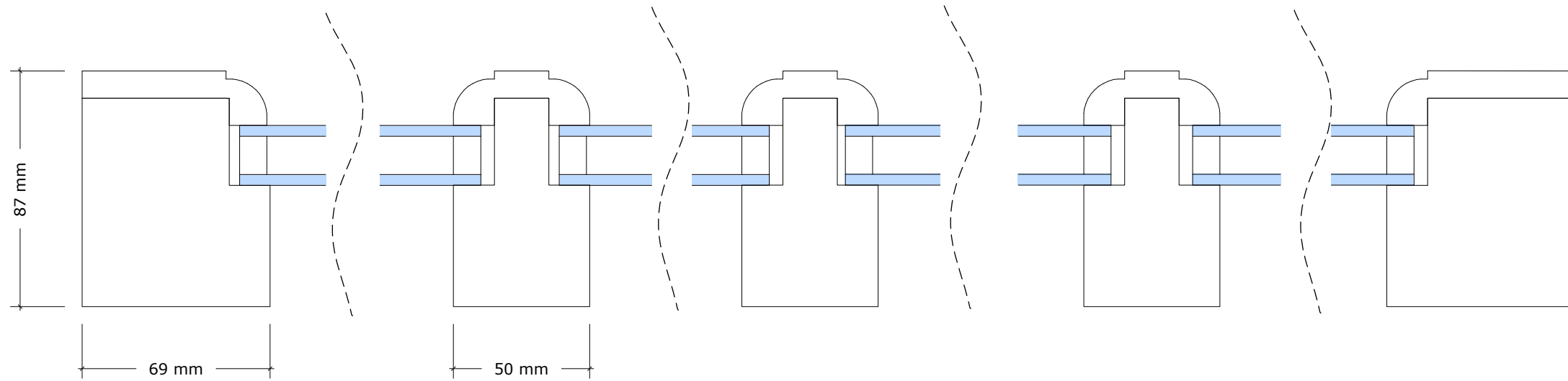
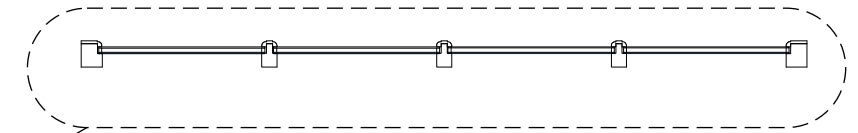
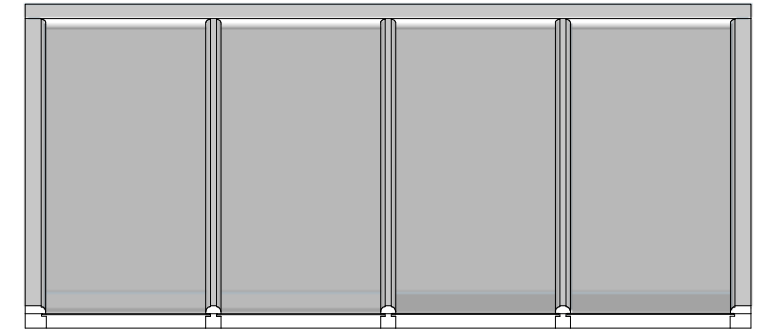
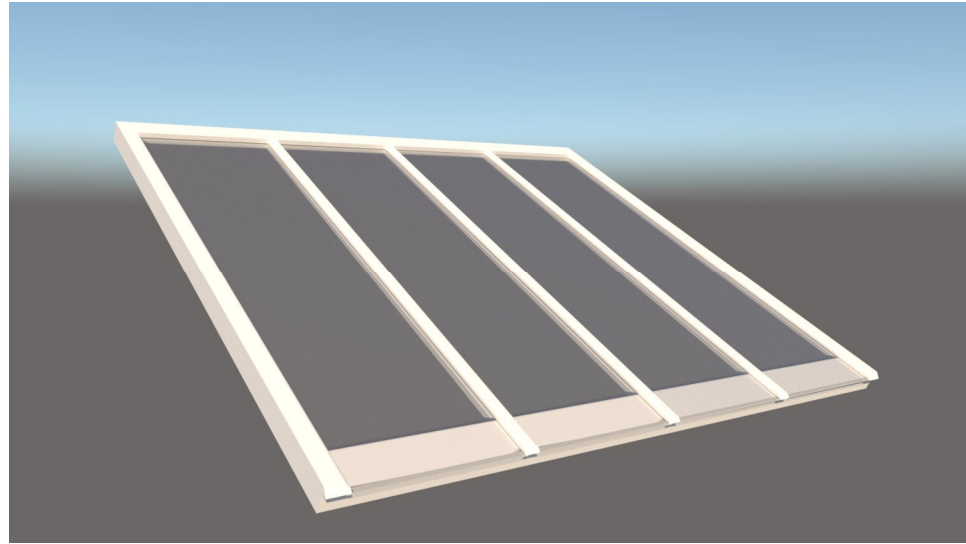
Richmond Terrace, Brighton, BN2 9SA

REVISIONS

DD/MM/YY	REMARKS
1	.../.../... ..
2	.../.../... ..
3	.../.../... ..
4	.../.../... ..
5	.../.../... ..

2

A



Scale 1:2 @ A3

Existing and proposed section thru front



Richmond Terrace, Brighton, BN2 9SA

REVISIONS	
DD/MM/YY	REMARKS
1	... / ... / ...
2	... / ... / ...
3	... / ... / ...
4	... / ... / ...
5	... / ... / ...

3

A