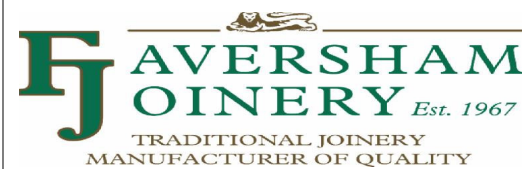


Scale 1:25 @ A3 00 .5m 1m 2m

Hyde Group  
 Richmond Terrace, Brighton, BN2 9SA  
 Existing and proposed roof lantern 3

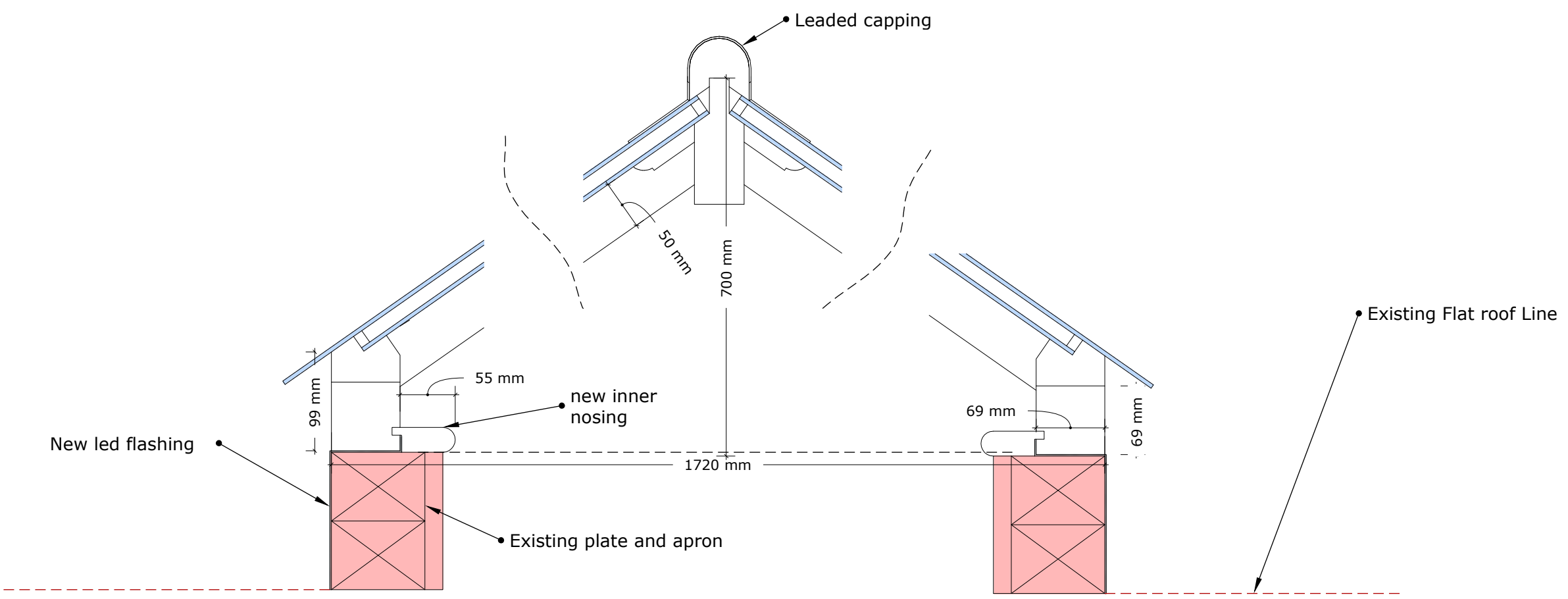
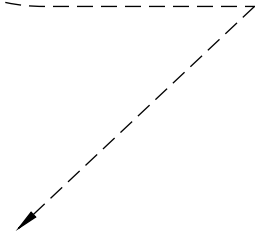
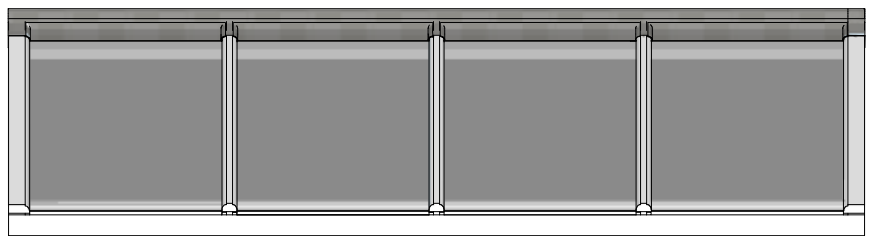
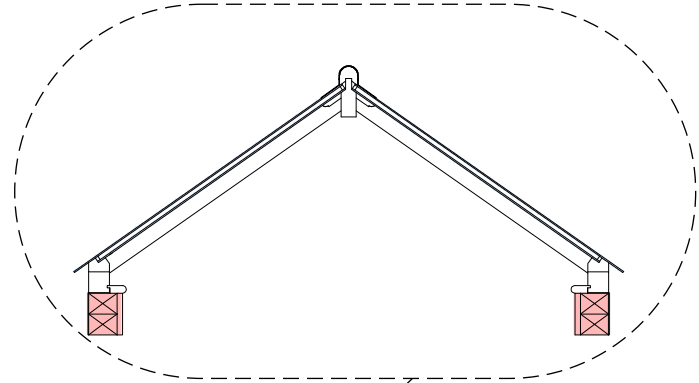


Tel: 01795 537062  
 Fax: 01795 59766  
 Abbey Farm, Abbey Fields, Faversham,  
 Kent, ME13 8HS  
[www.favershamjoinery.co.uk](http://www.favershamjoinery.co.uk)

Drawn By: D.P.Crawley

**COPYRIGHT** : Faversham Joinery Uk Ltd, Own the copyright to these drawing's. Their written consent must be obtained before these drawing's are copied or used for any purpose other than the one for which it was supplied.

February 8, 2024



Scale 1:5 @ A3



Existing and proposed roof lantern, section thru side.



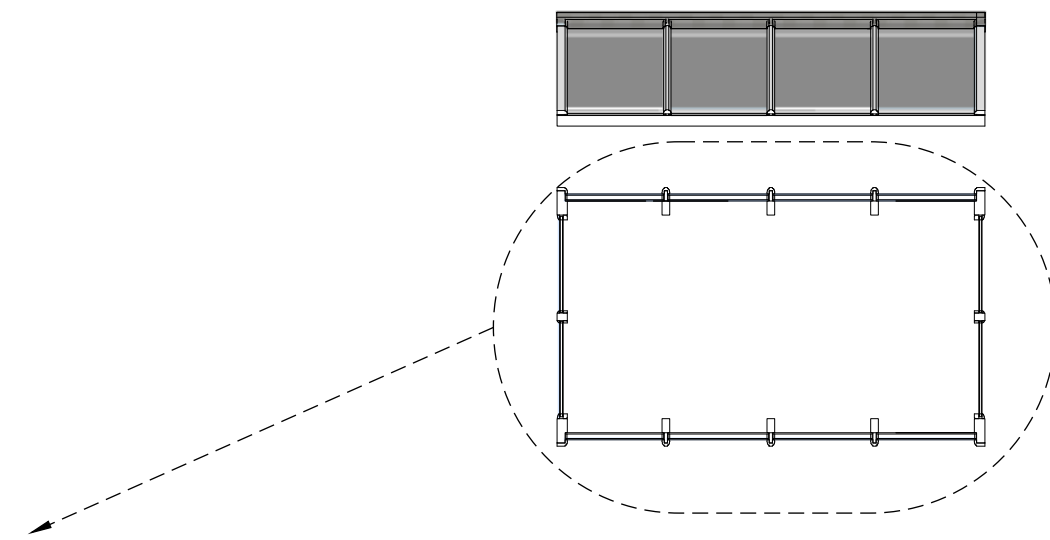
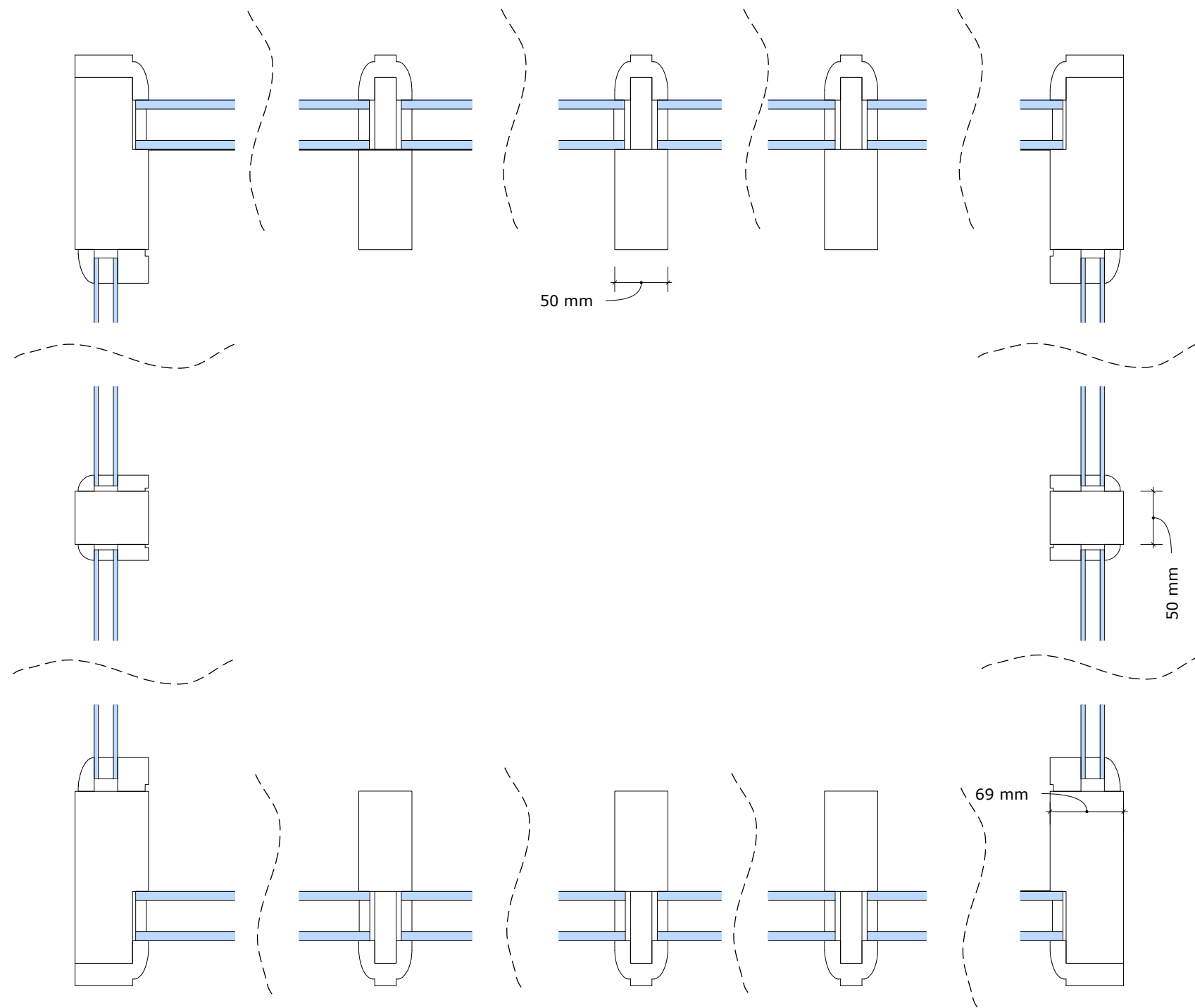
Richmond Terrace, Brighton, BN2 9SA

REVISIONS

DD/MM/YY	REMARKS
1	... ..
2	... ..
3	... ..
4	... ..
5	... ..

2

A



Scale 1:5 @ A3



Existing and proposed section thru plan



Richmond Terrace, Brighton, BN2 9SA

REVISIONS

DD/MM/YY	REMARKS
1 --/--/-- ...	
2 --/--/-- ...	
3 --/--/-- ...	
4 --/--/-- ...	
5 --/--/-- ...	

3

A