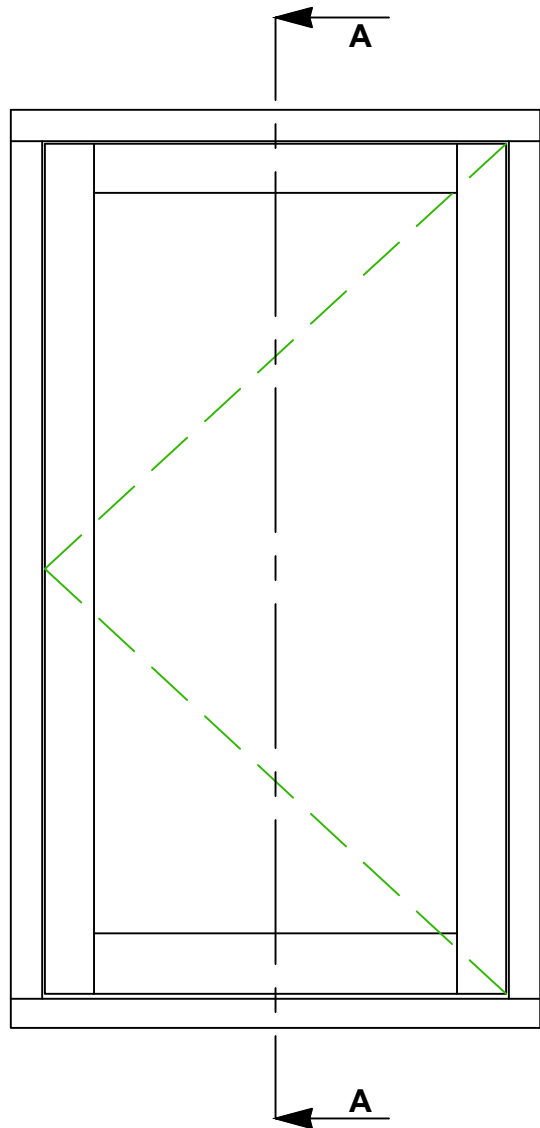
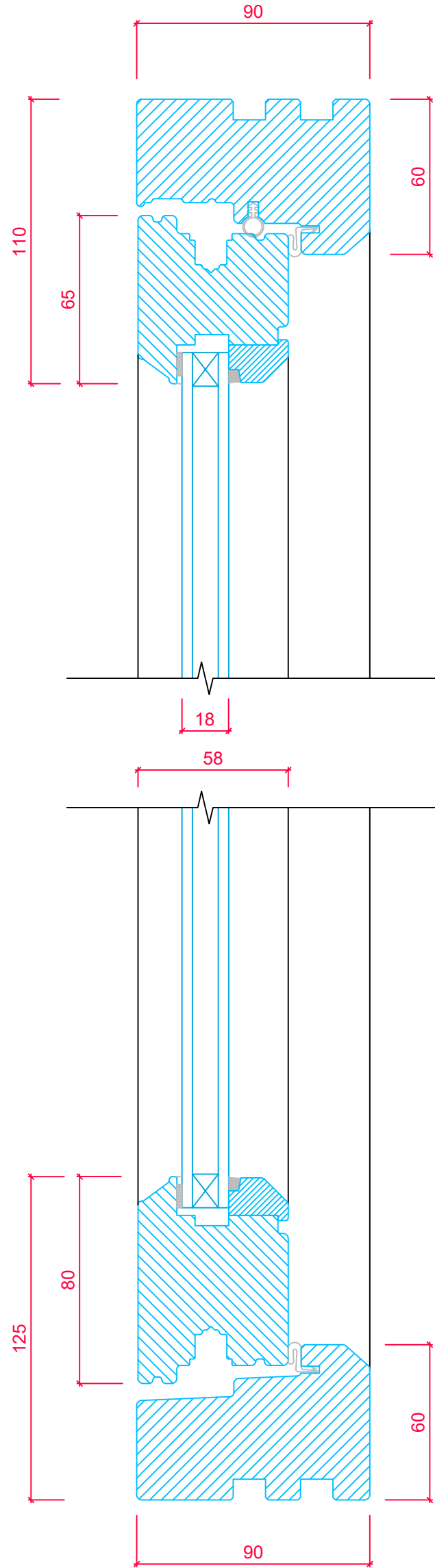


THIS DRAWING AND SPECIFICATIONS ARE THE PROPERTY OF THE PERFORMANCE WINDOW GROUP. THEY ARE ISSUED IN STRICT CONFIDENCE AND SHALL NOT BE REPRODUCED, COPIED OR USED AS THE BASIS FOR MANUFACTURING WITHOUT WRITTEN PERMISSION.



TYPICAL CASEMENT LAYOUT



CASEMENT CROSS SECTION 'A-A'



TOLERANCES
UNLESS OTHERWISE SPECIFIED

ALL DIMENSIONS IN MM
ALL LINEAR DIMENSIONS ±0.4
ALL ANGLE DIMENSIONS ±0.5°
BREAK ALL SHARP EDGES 0.5

PRODUCT RANGE:
FLUSH CASEMENT (Bevel)
18mm Unit

TITLE
VERTICAL SECTION DETAIL
- TOP AND BOTTOM RAIL

DRAWN BY: PR DATE DRAWN: 19/11/2018 SCALE: 1:2, 1:10