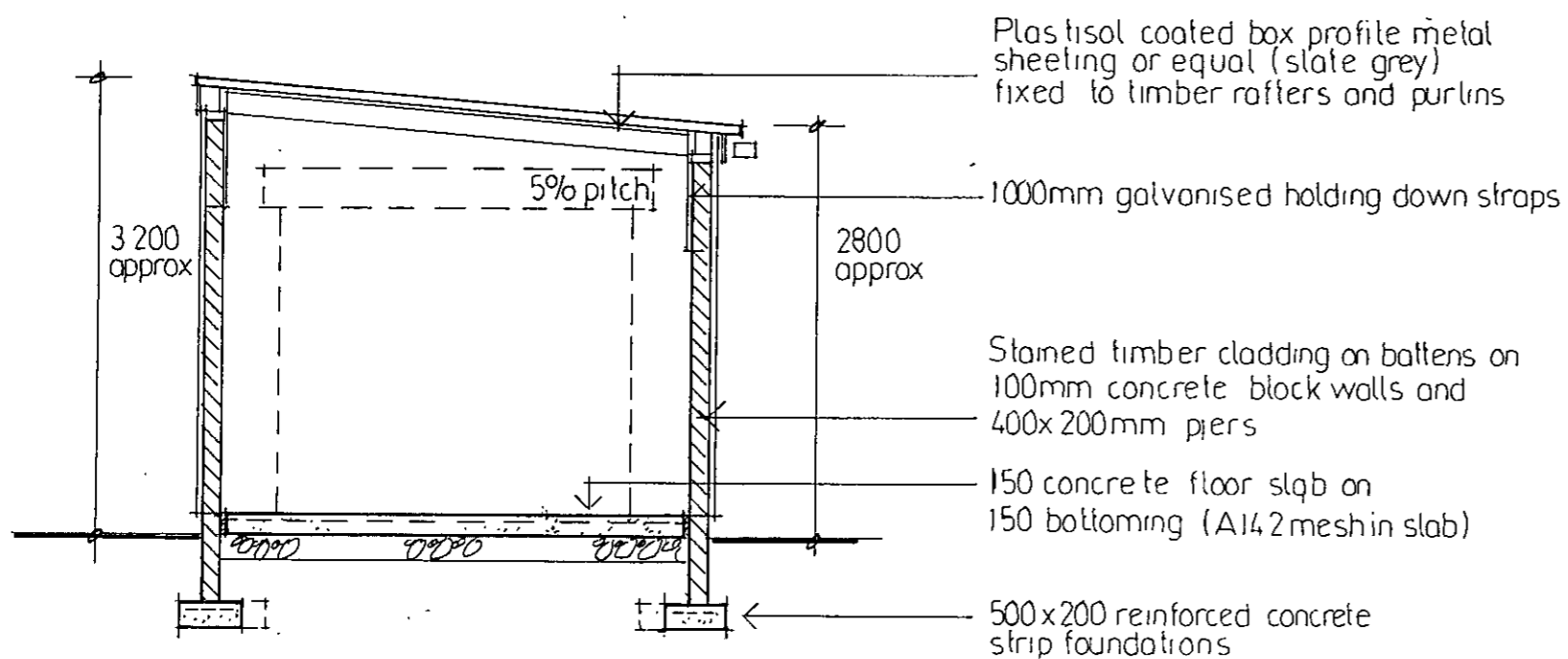
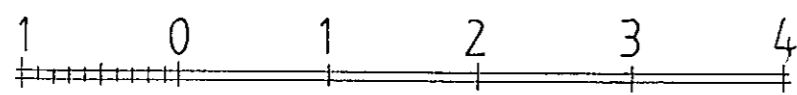


NORTH WEST ELEVATION

SOUTH WEST ELEVATION



CROSS SECTION



scale of metres: 1.50

DRAWINGS:

ELEVATIONS & SECTION

DATE:  
JAN'24

SCALE:  
1.50

DRG. NO:  
N/24/02